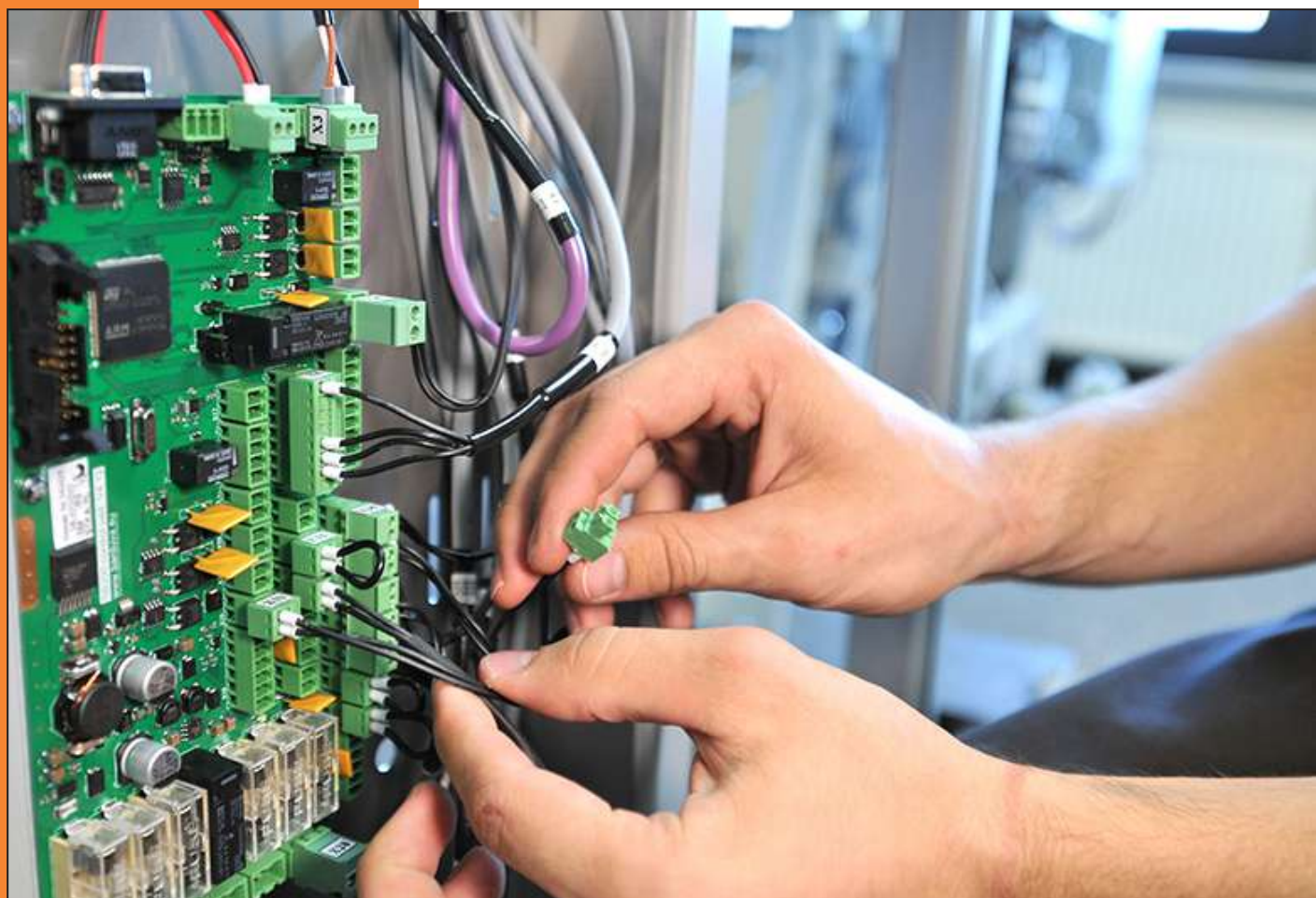


ÉLÉVATEUR PRIVATIF COMPACT

EMB100

MANUEL D'INSTALLATION

(INSTALLATION MANUAL)

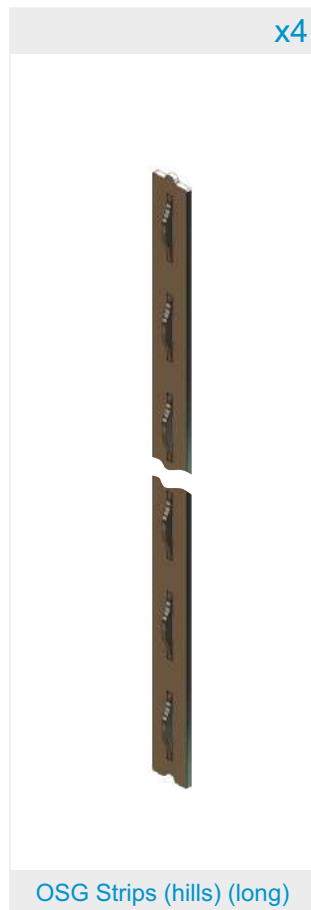
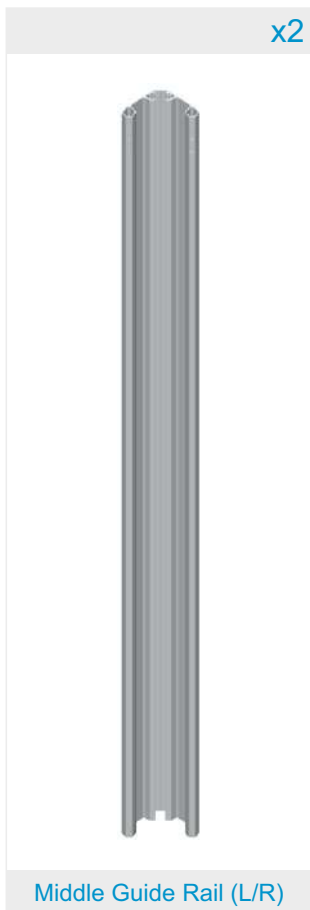
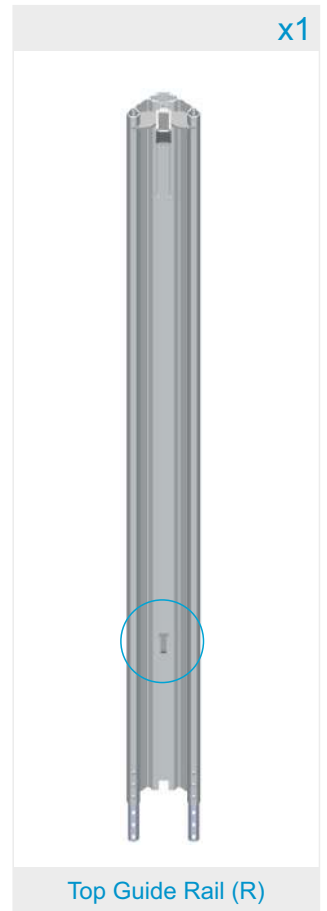
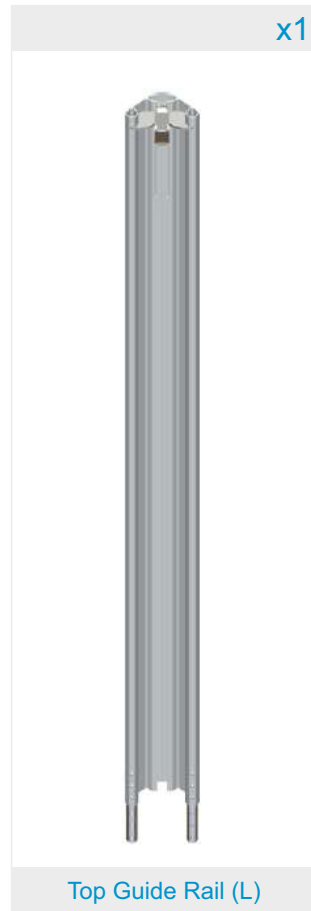
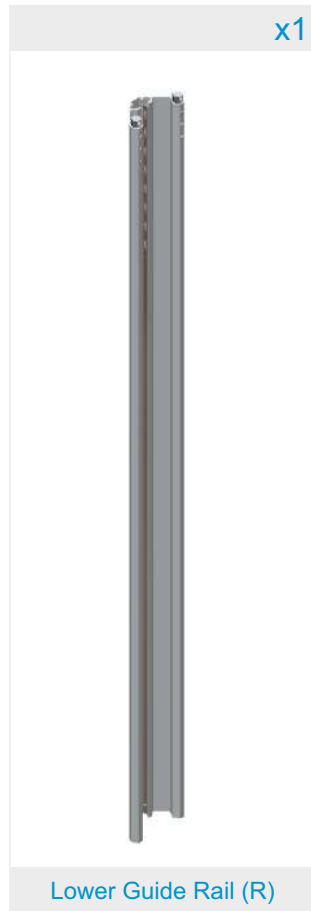
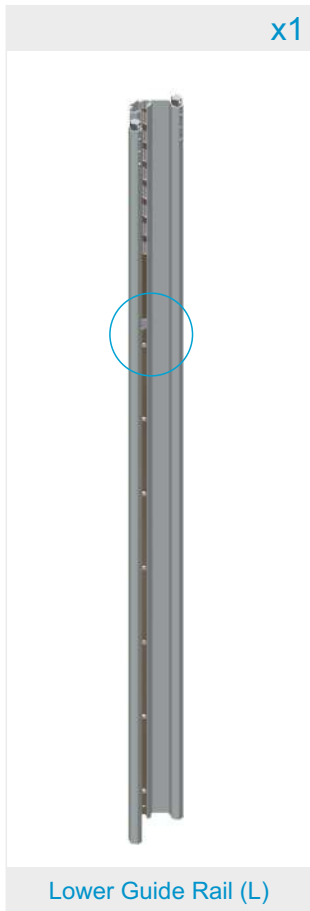


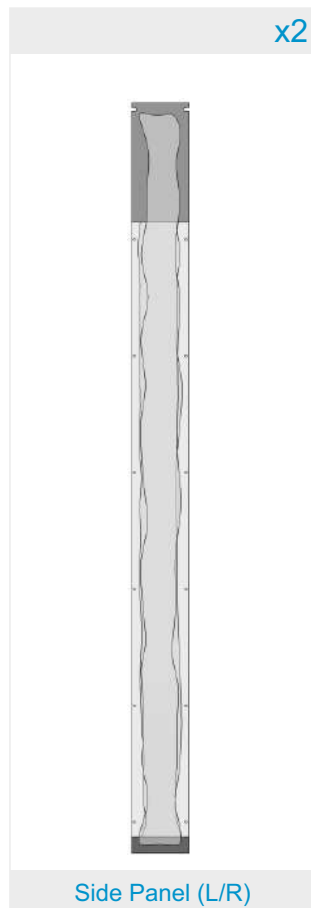
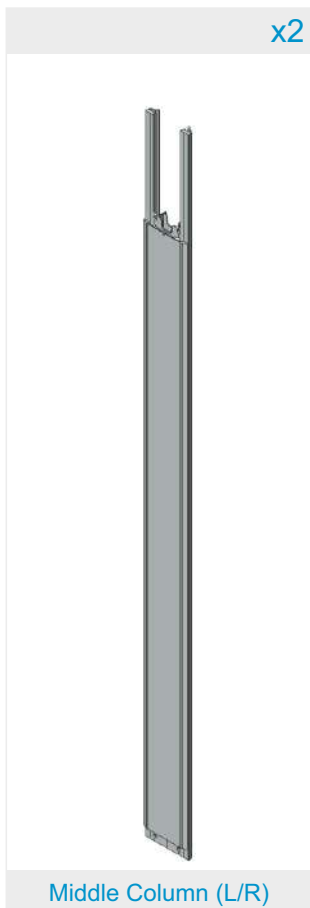
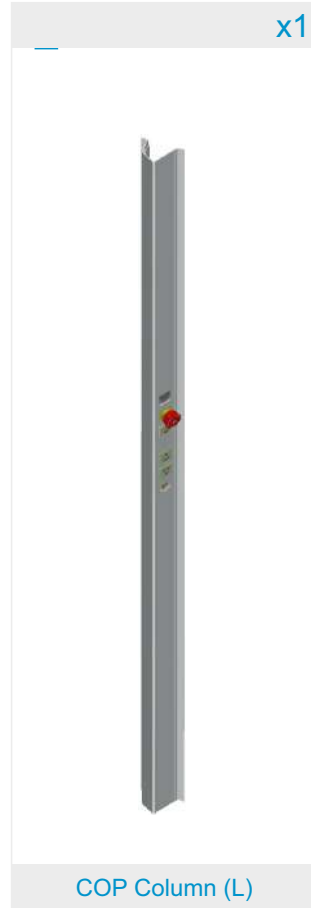
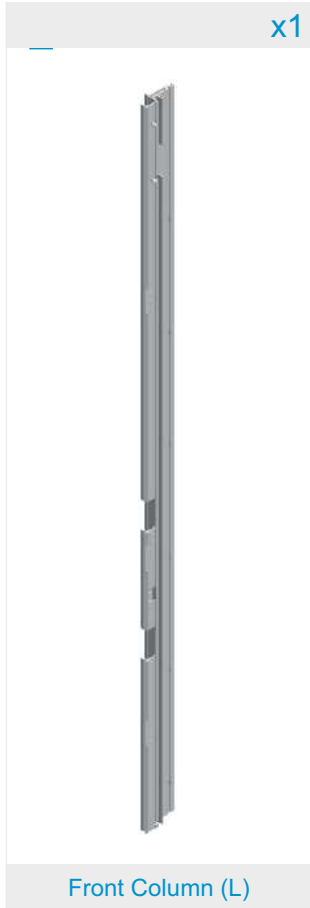
Français
V 1.0 - 2024-03

Auteur : I.B. (2024-03)

Service line : +370 5231 0770
E-mail. support@barduva.eu
Copyright © - Barduva, 2024


Barduva
Beržuonos st. 2,
Vilnius LT-02121, Lithuania
sales@barduva.eu
Phone : +370 5 231 0770
www.barduva.eu





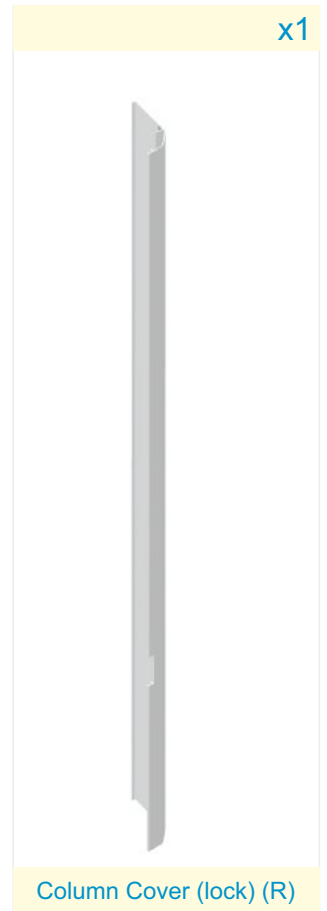
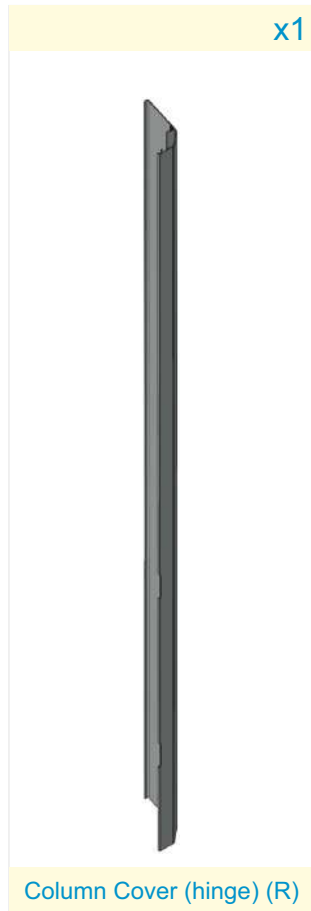
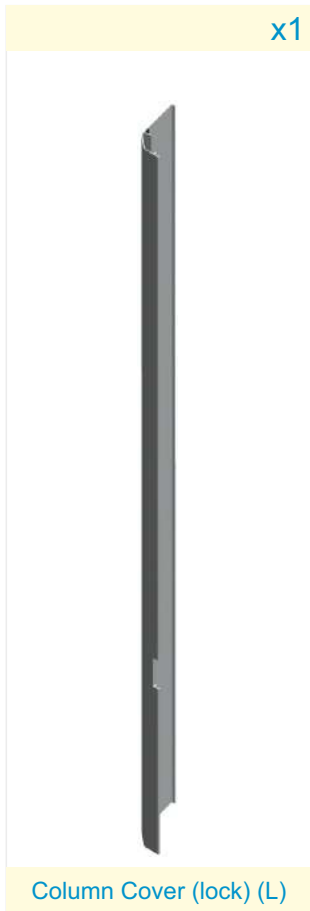
DOOR



x2	A= 913	
x1	B= 885	
x1	C= 370	
x2	D= 246	
		Lock/ Hinge Cover Strip (Door)

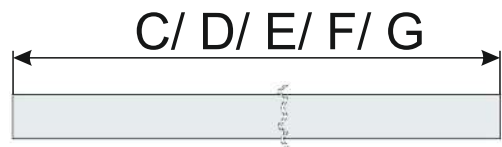


GATE

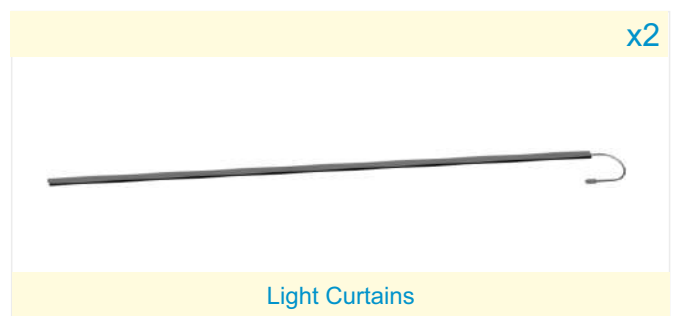


x1	C= 370
x1	D= 246
x1	E= 1323
x1	F= 1065

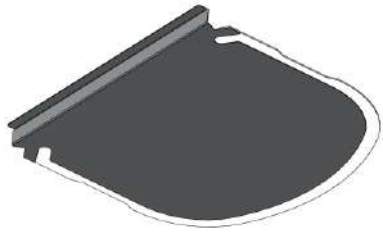
x1	G= 500
----	--------



Lock/ Hinge Cover Strip (Gate)



x1



Ceiling

x1



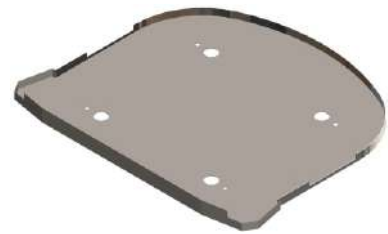
Ceiling Frame

x1



Floor

x1



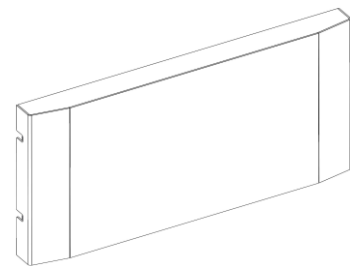
Safety Bottom

x1



Guide Rails Spacer

x1



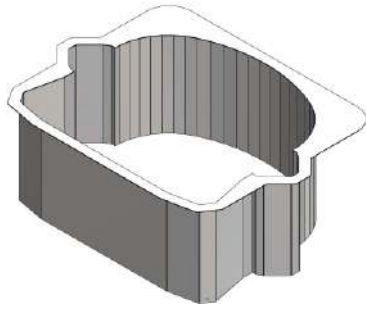
Front Cover

x1



Electrical Compartment Door

x1



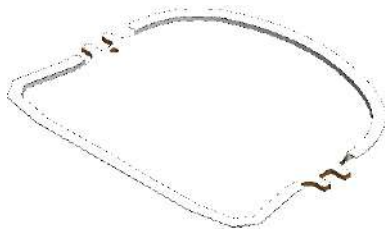
Floor Insert

x1



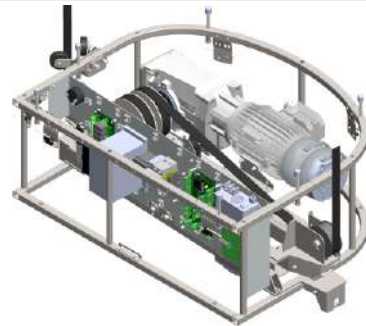
Floor Insert Flange

x1



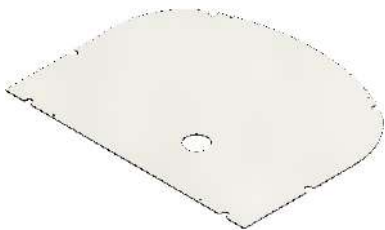
Shaft Lid

x1



Drive Unit

x1



Drive Unit Cover

x16



M6x20

x14



x10



M6x16

x4



x4



M8x70

x4



M6x60

x6



A 4,3

x4



M4x35

x2



M4x25

x6



M4x10

x2



M4

x12



M4x10

x14



M5x12

x6



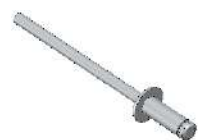
M5x16

x4



M4x12

x12



3,2x8

x20



Hole Plugs

Standard x2



Medium x6



Heavy x4



Shaft Lid Springs Set

x2



Remote Control

x2



Square Door Lock Key

x2

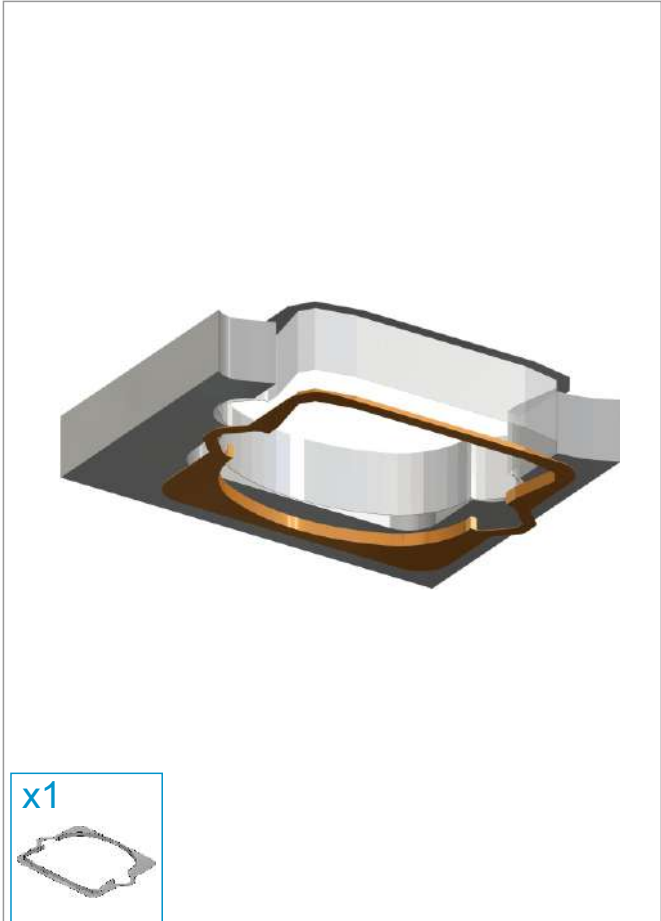
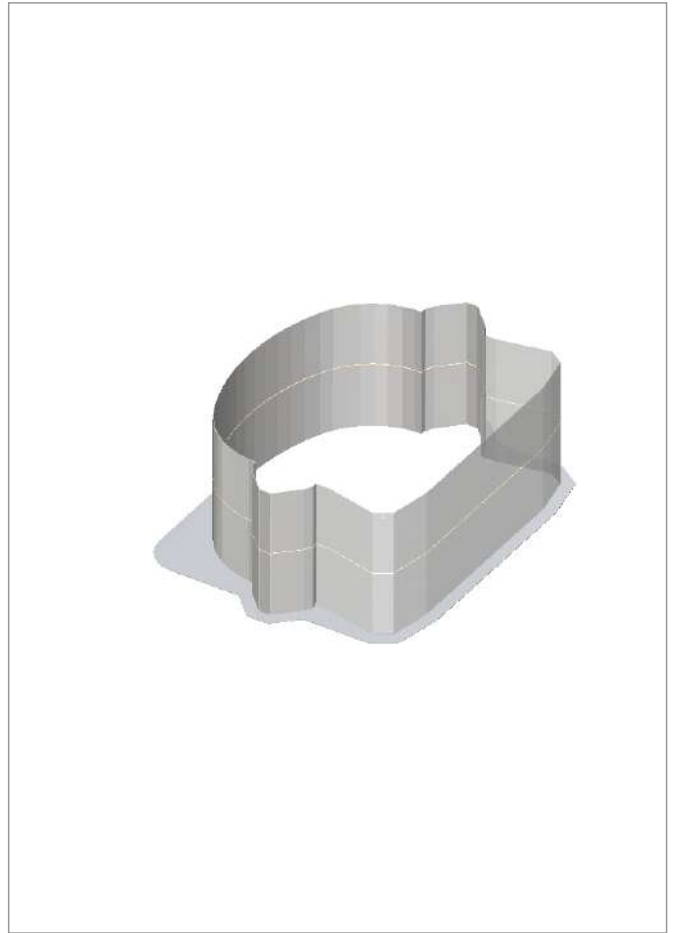
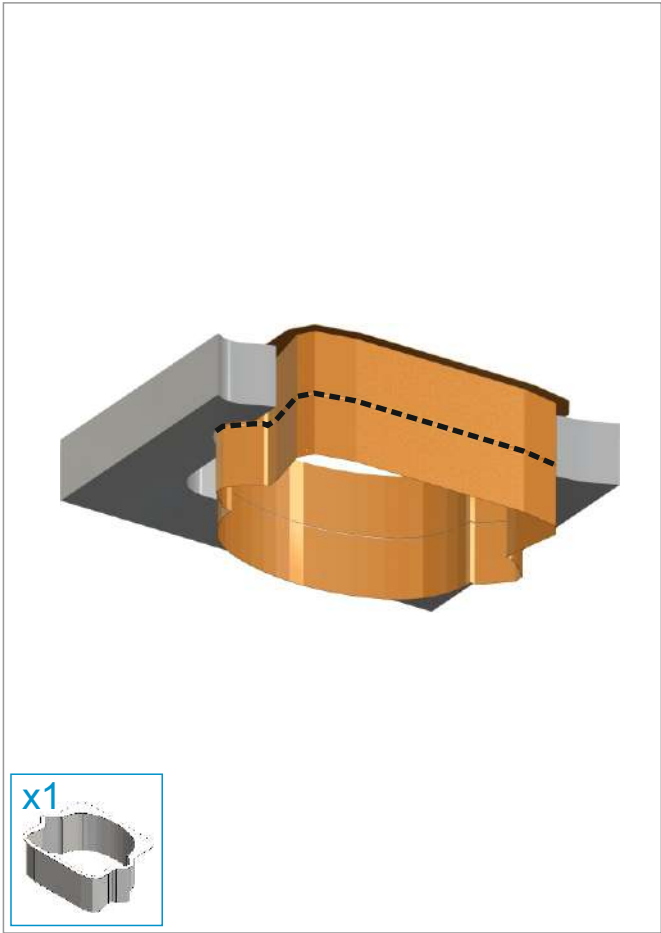


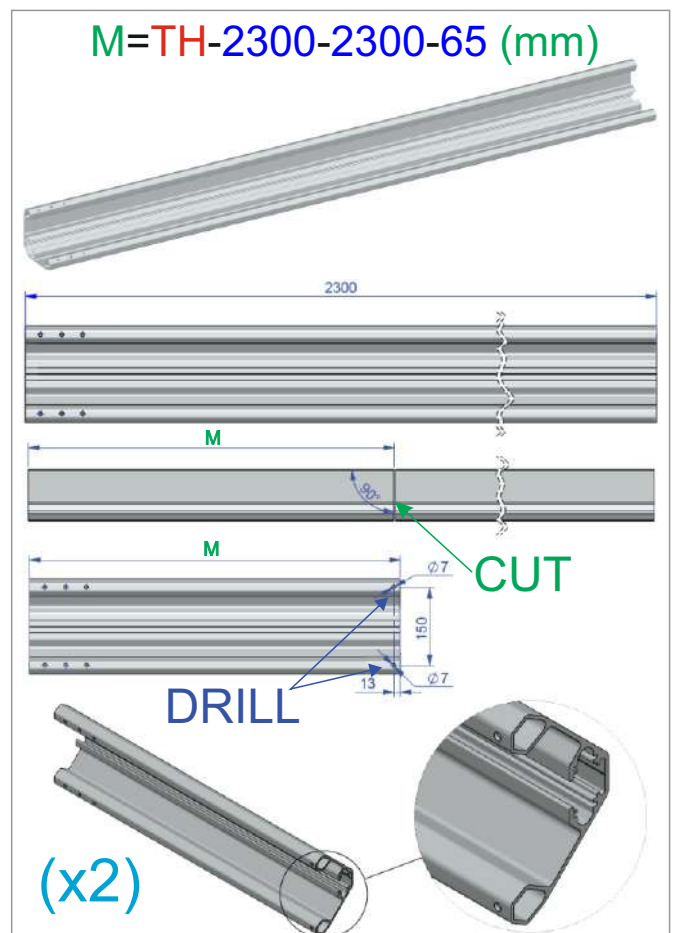
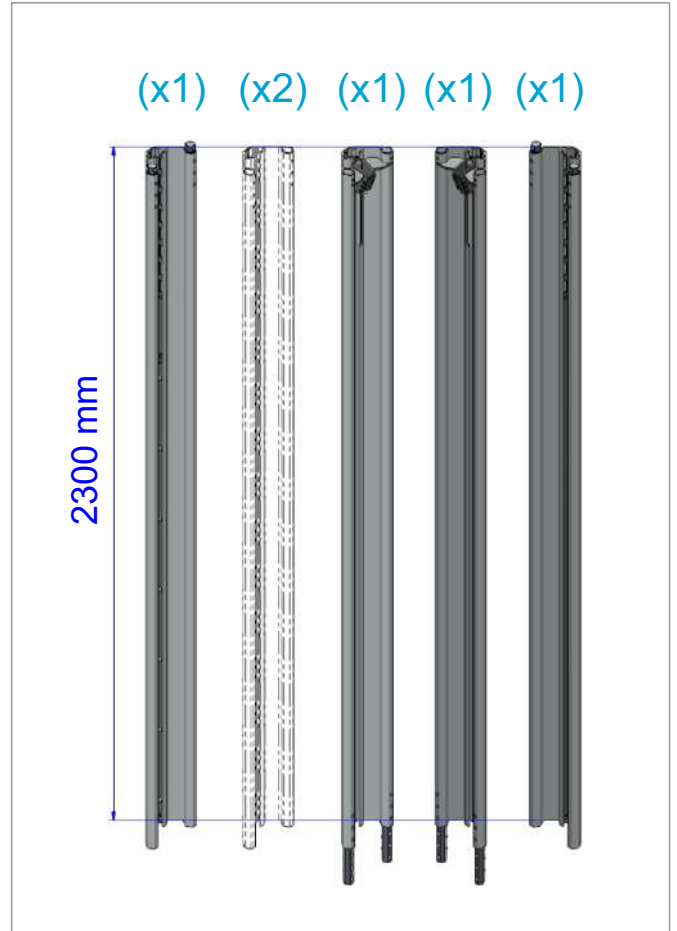
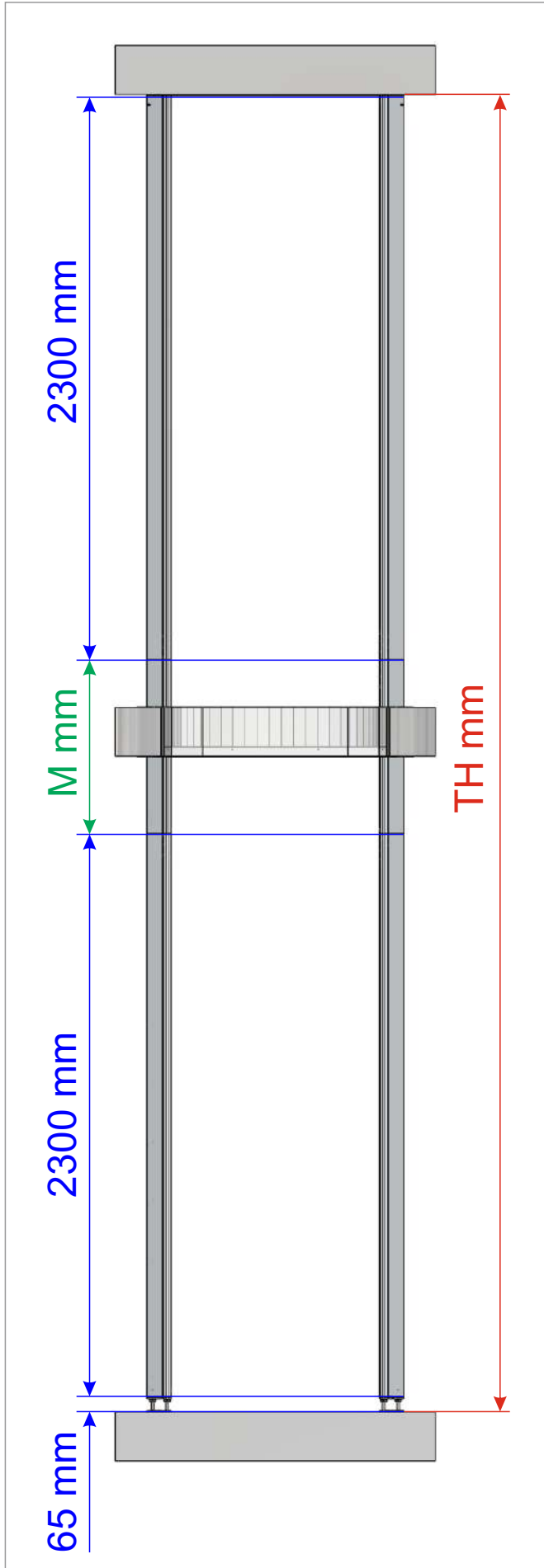
OSG Installation Tool

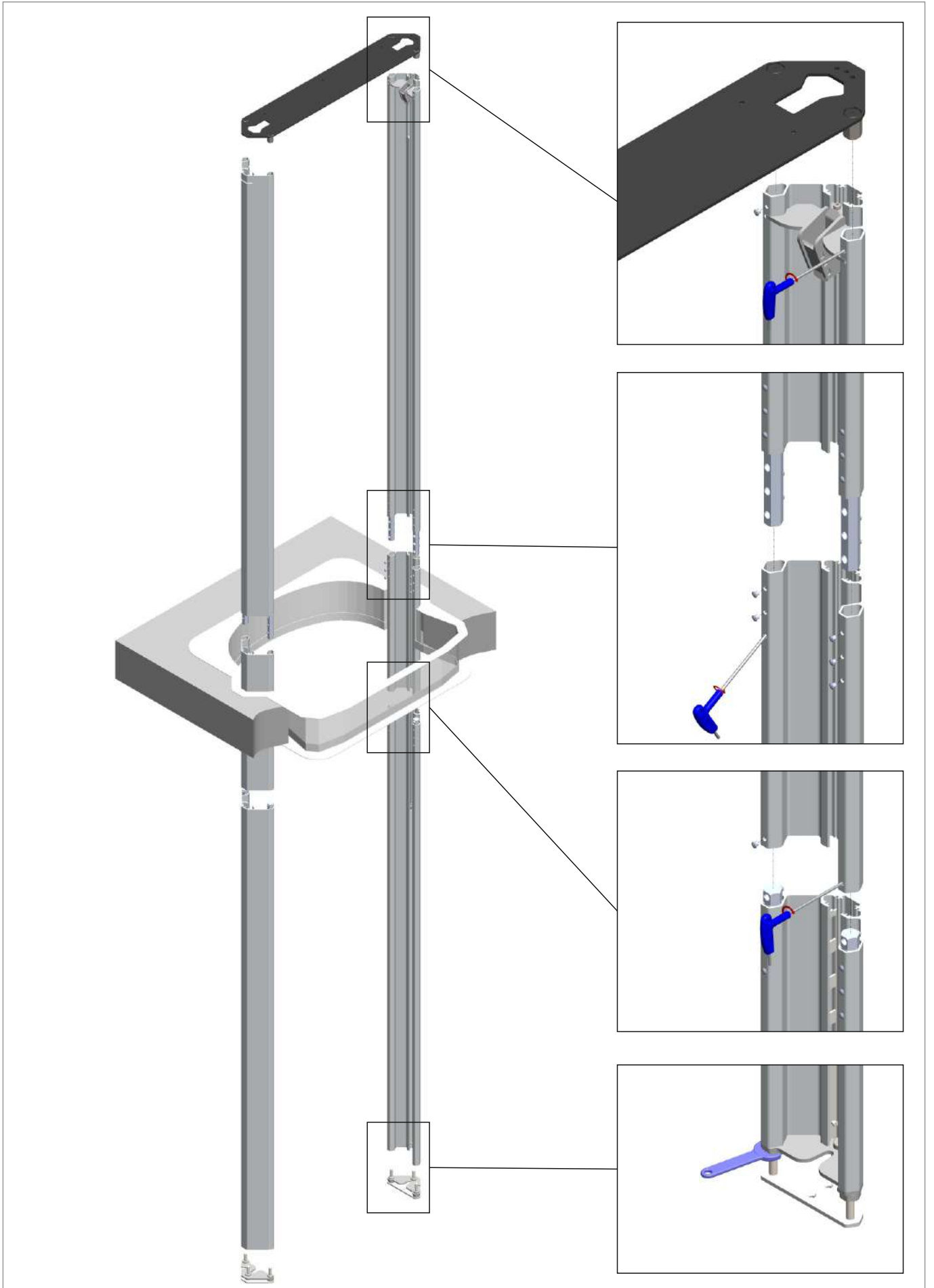
x2

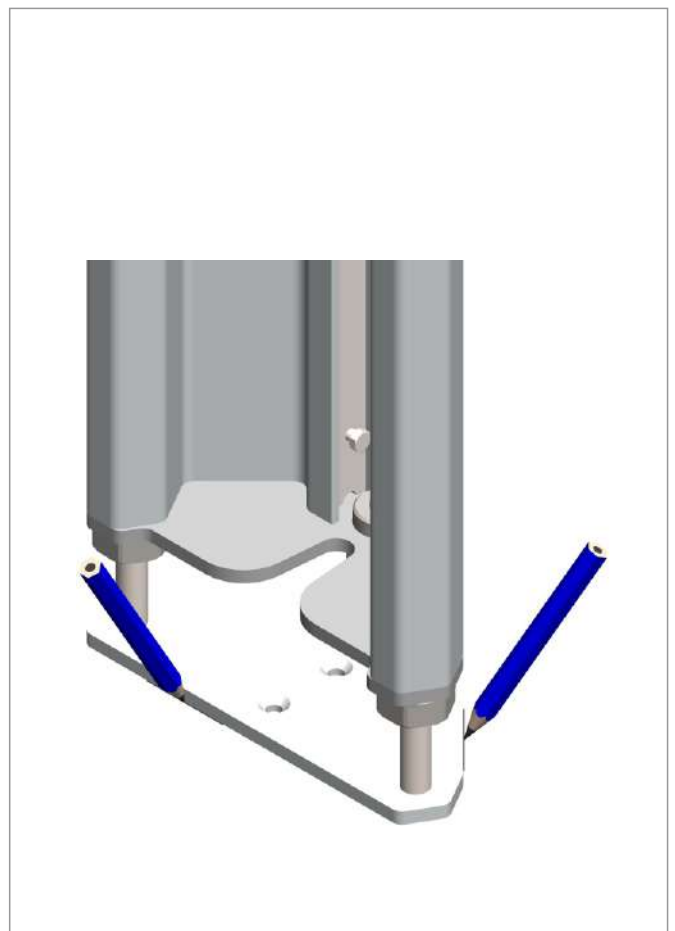
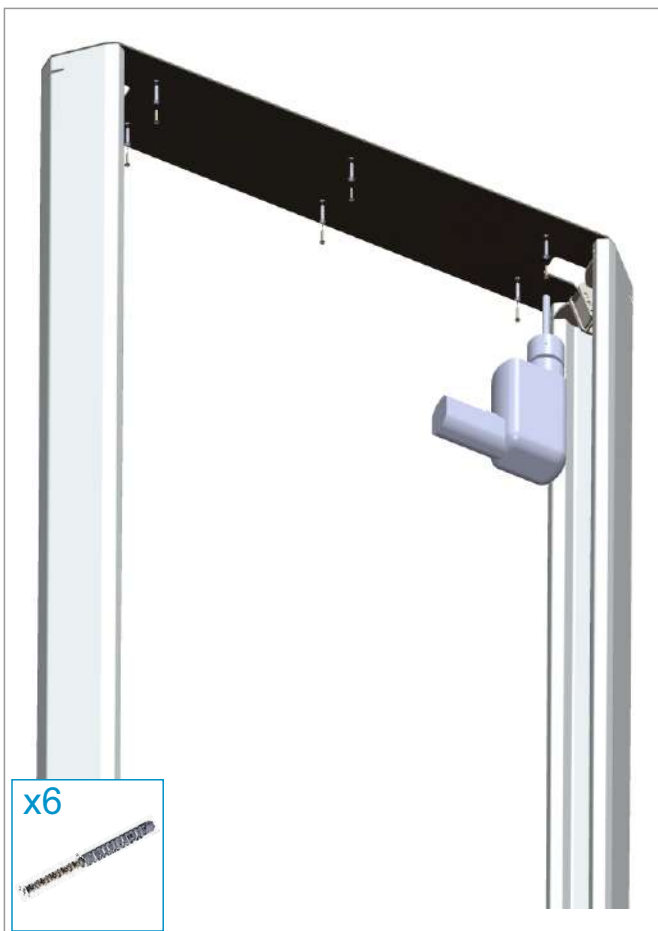
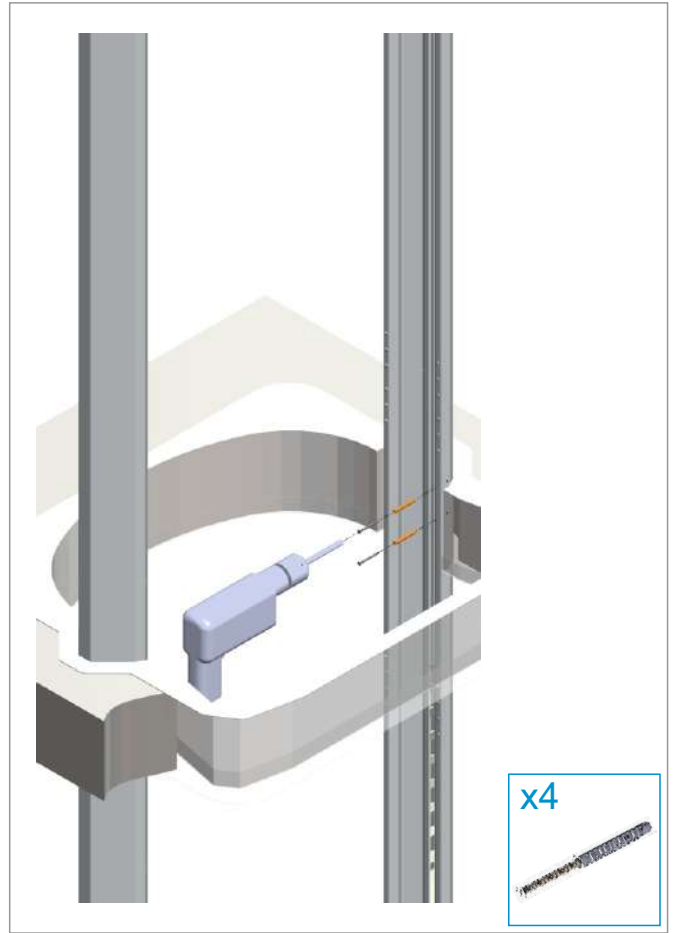
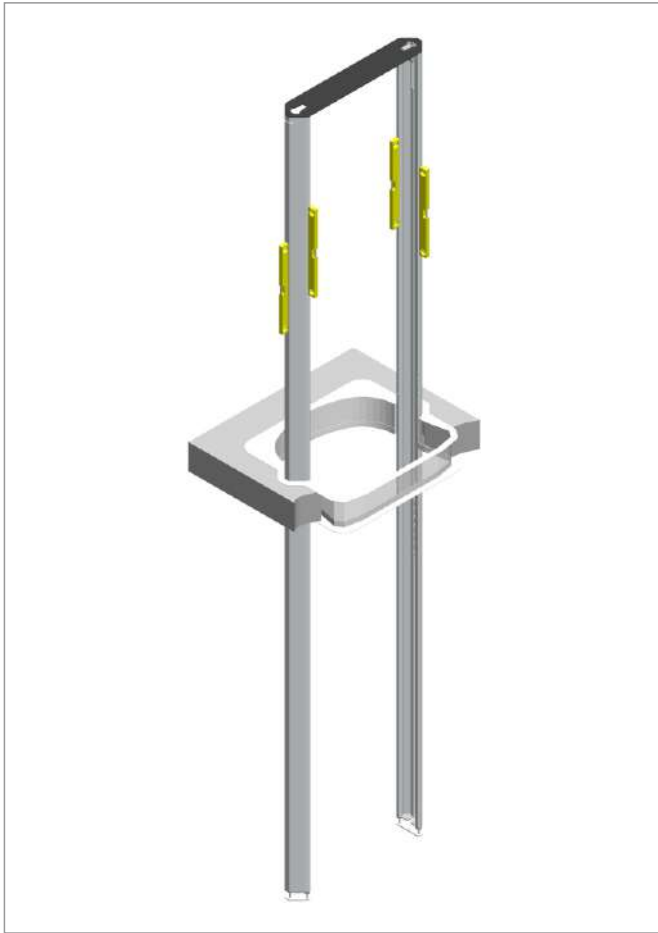


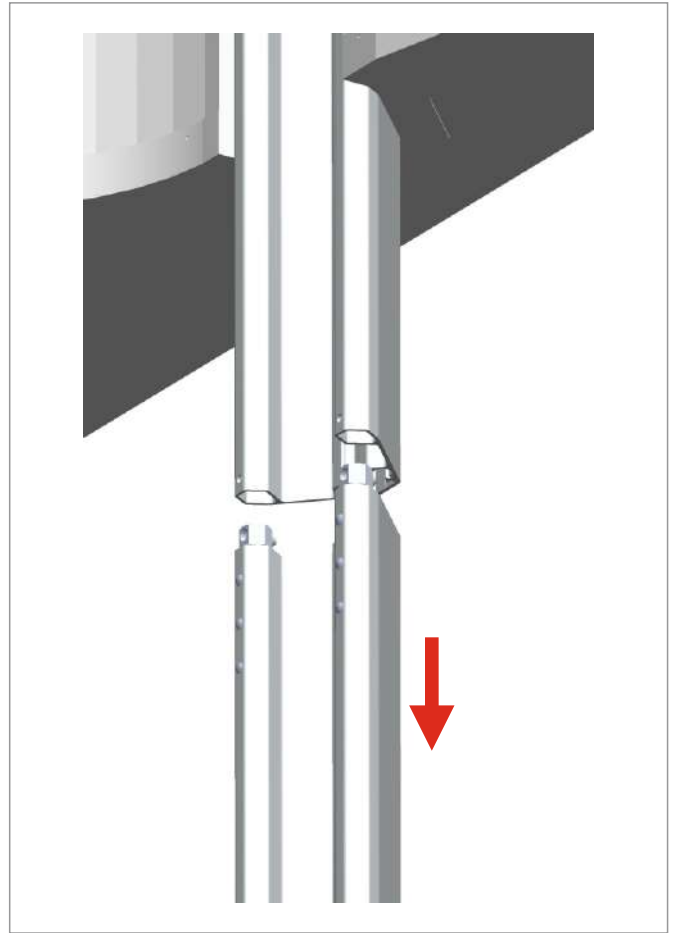
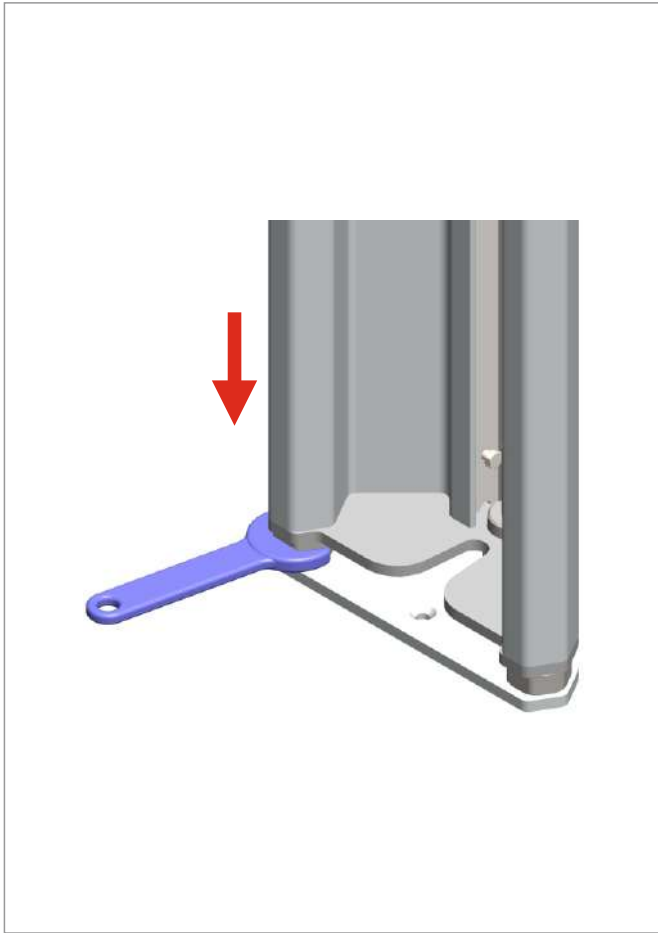
Column Cover Removal KEY

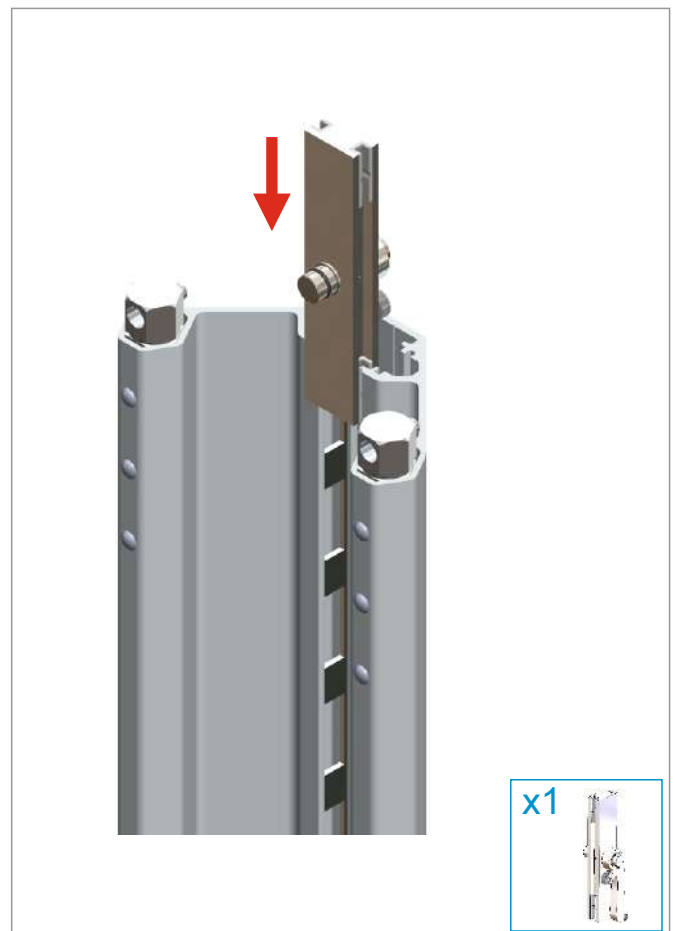
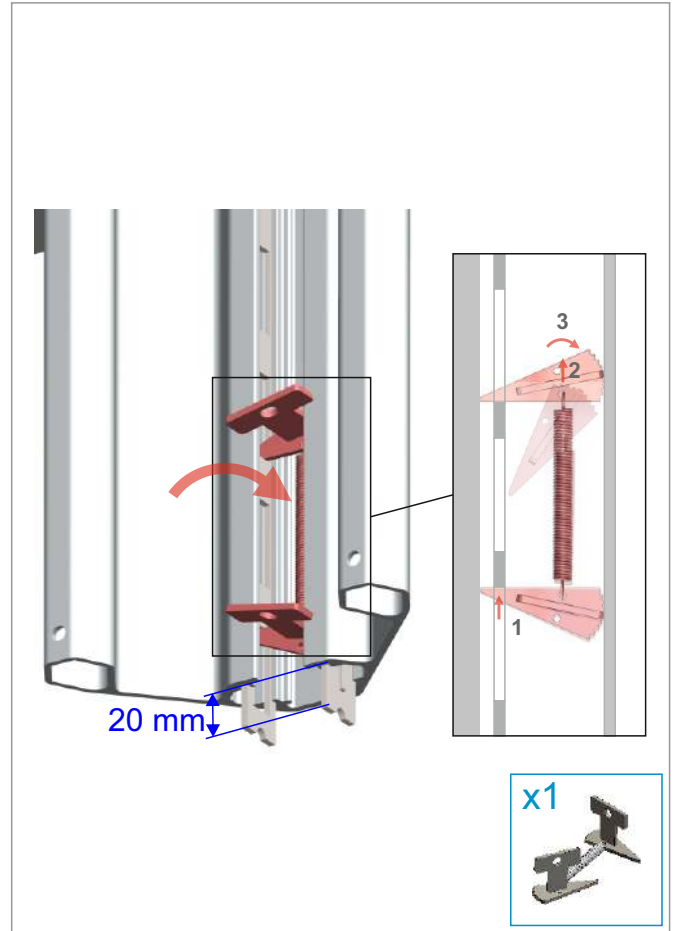
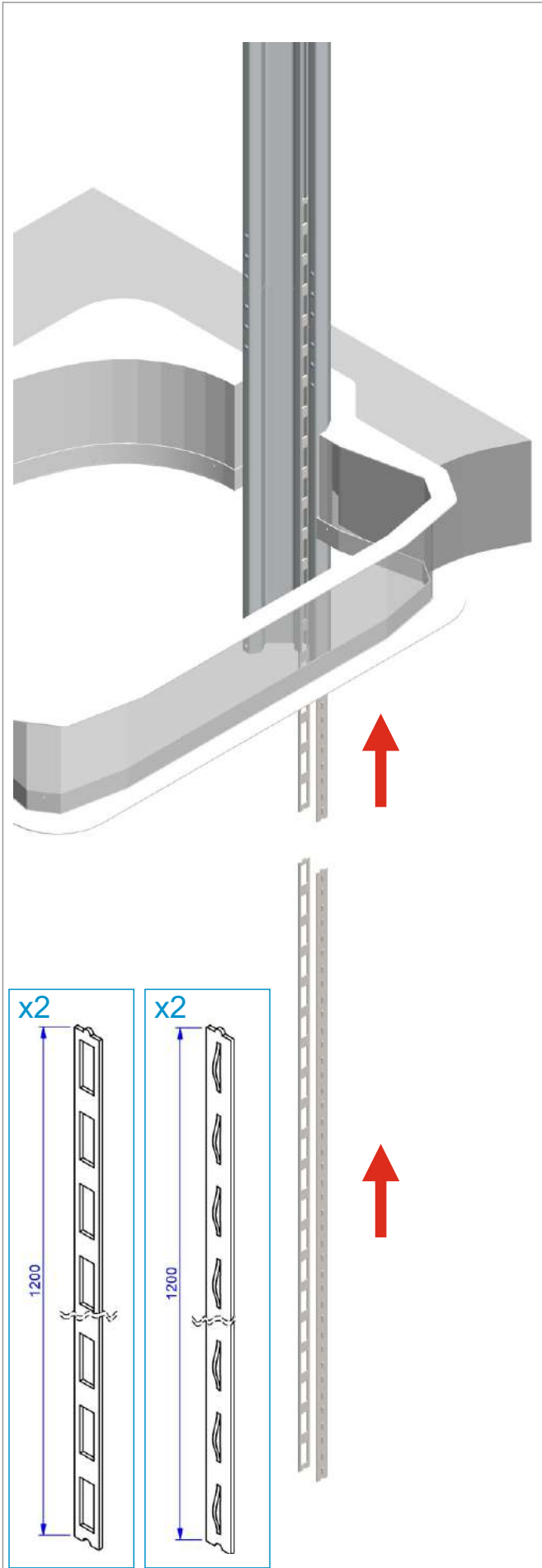


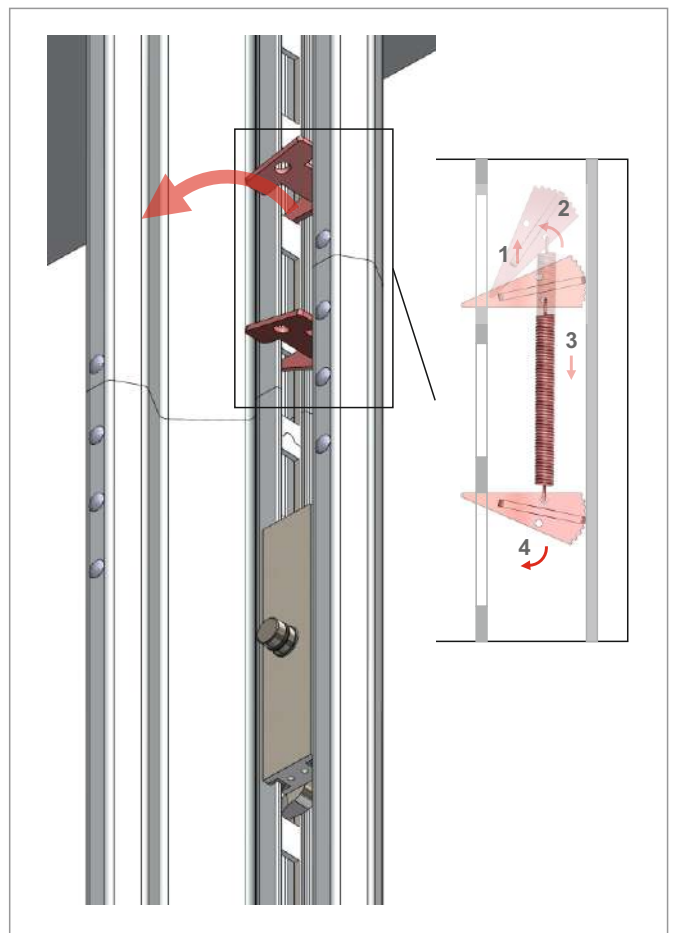
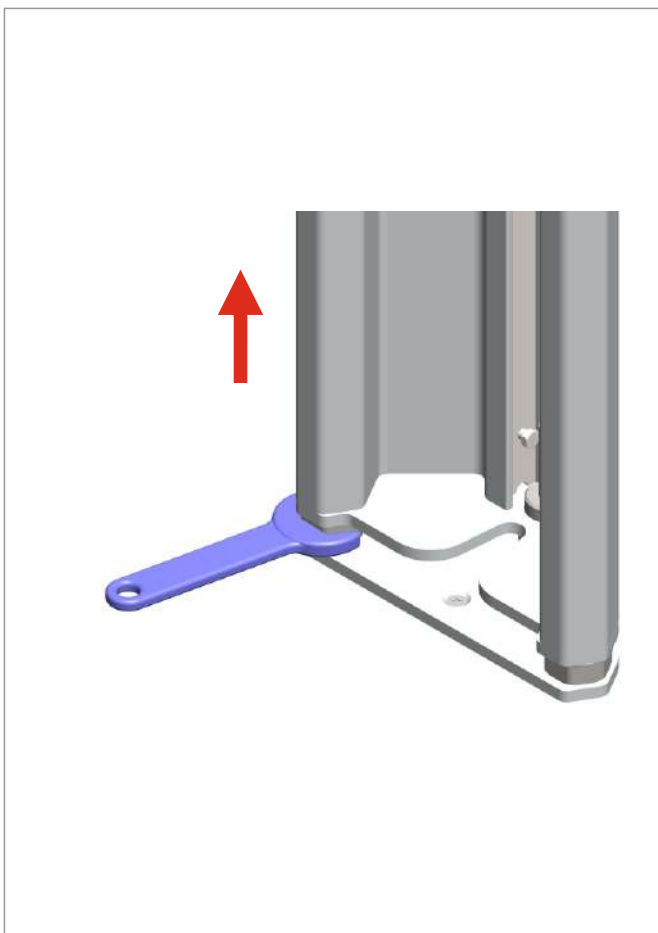
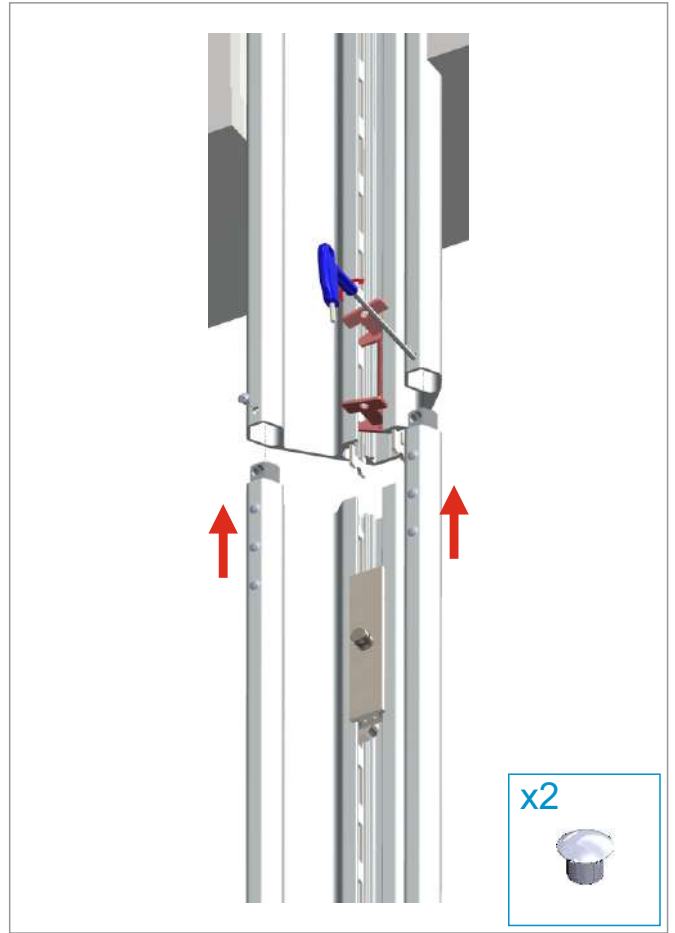


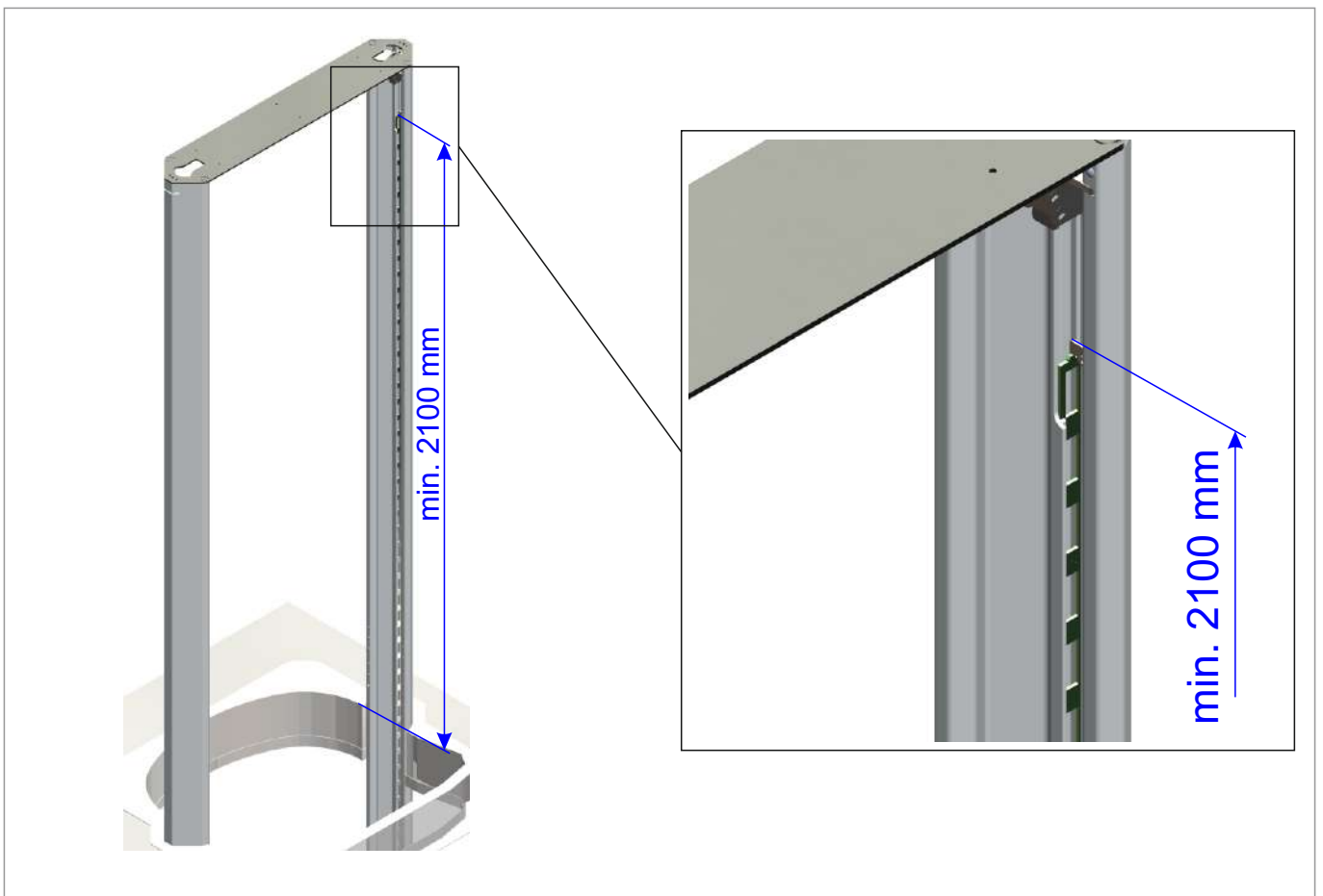
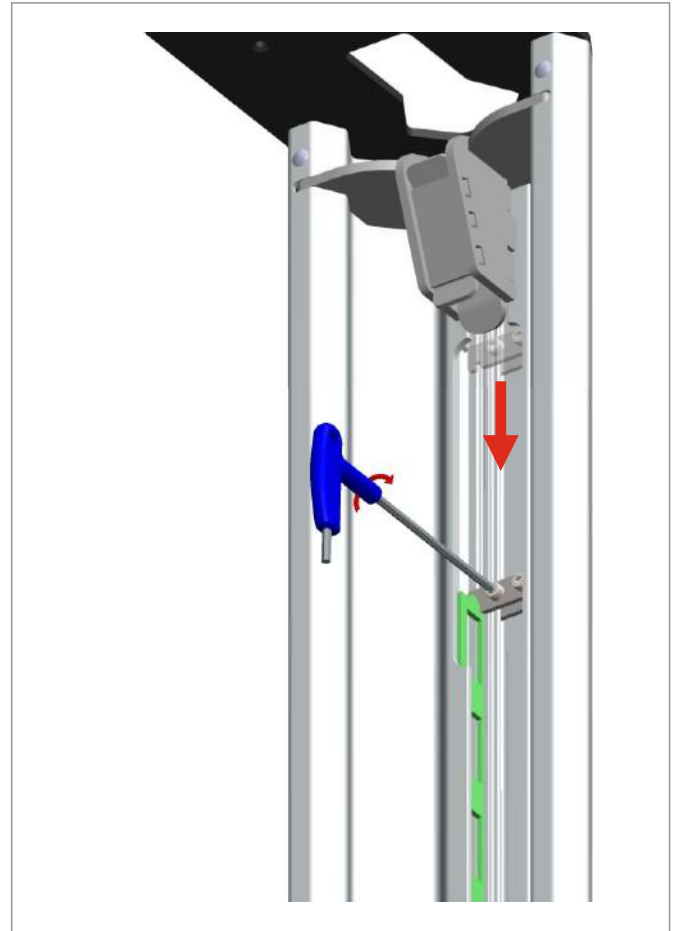
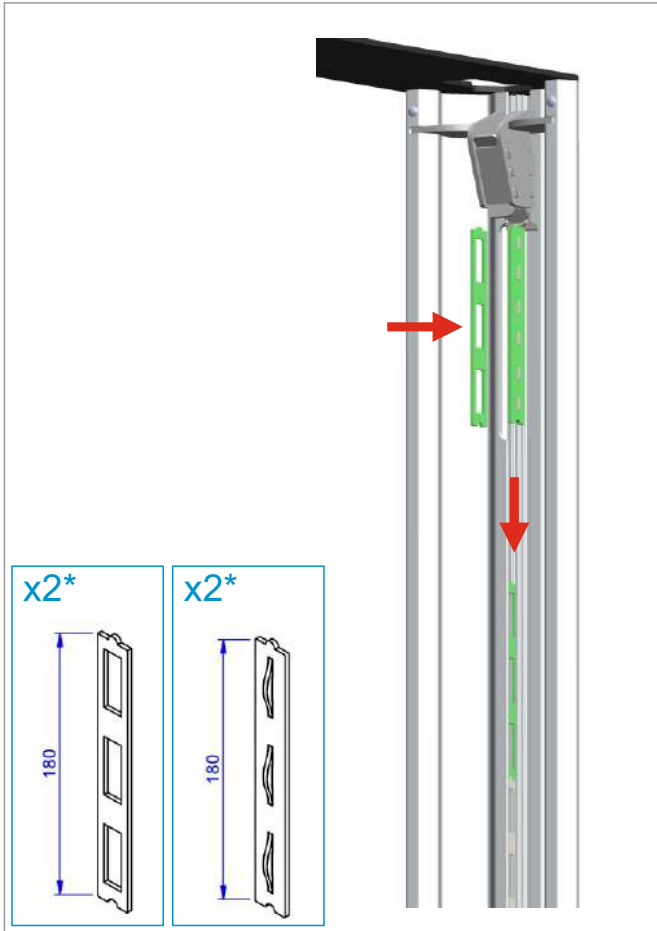


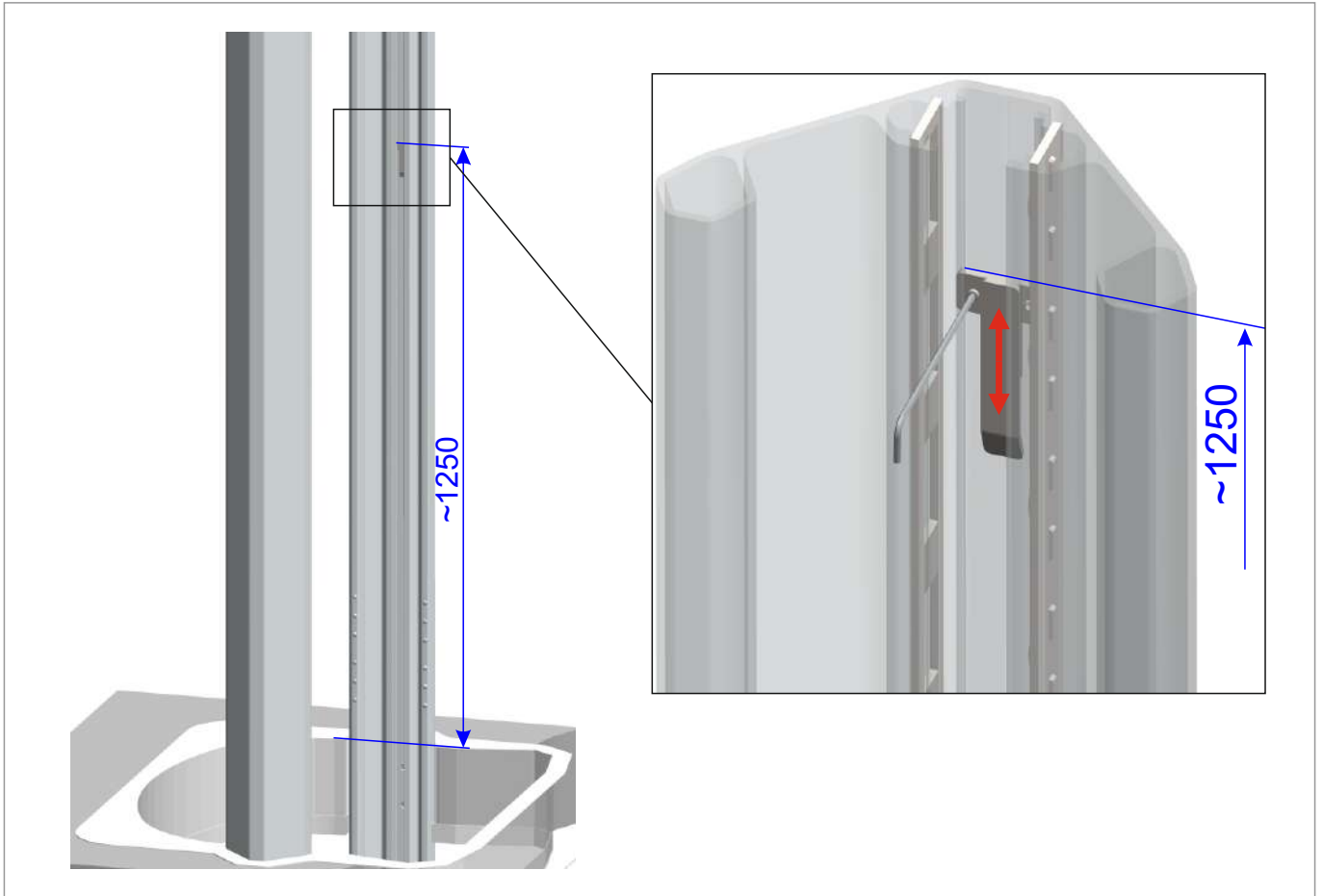












x1



Lower Sensor Unit

x1



Upper Sensor Unit

x1



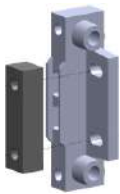
Lock Unit

x1



Contact Bridge

x1



Door Safety Switch

x1



Power Cable Chain

x2



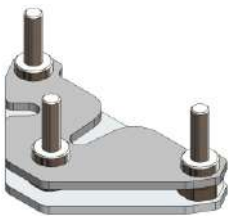
OSG Pendulum

x1



Shaft Lid Lock

x2



Guide Rail Base Plates

x2



Belt Fastening Wedge

x2



Bottom Guide Rollers

x2



Top Guide Rollers Unit

x8



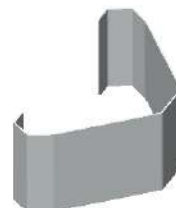
Bottom Rollers Shims

x12



Screw Bushing

x2

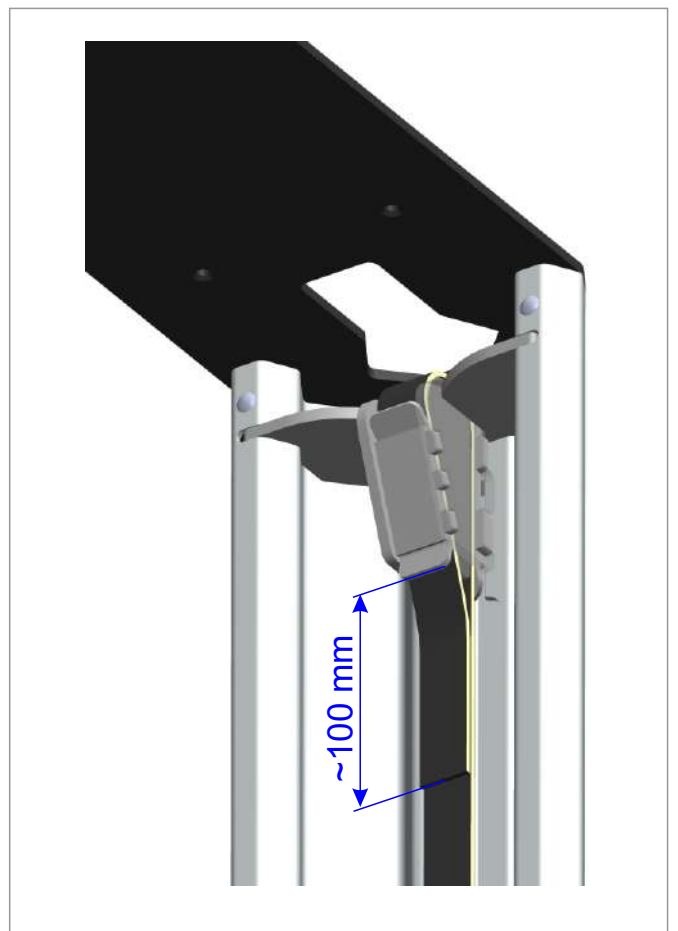
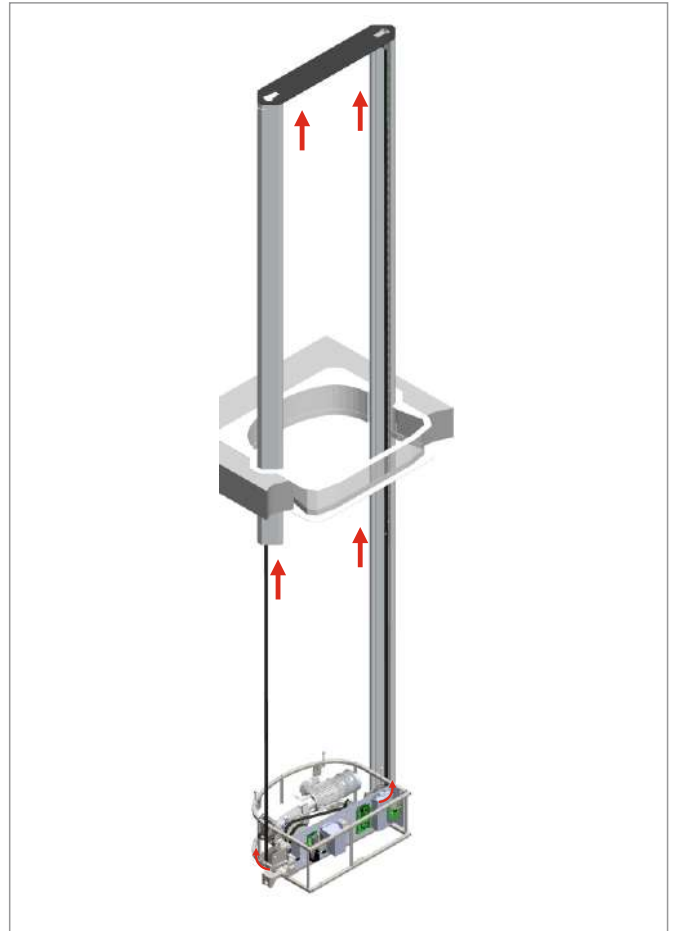


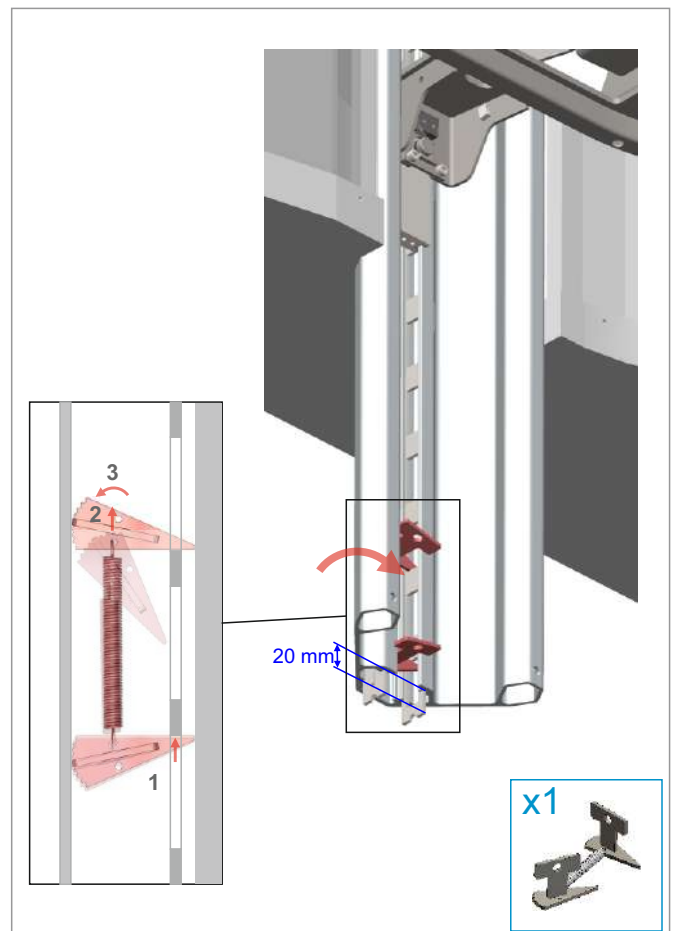
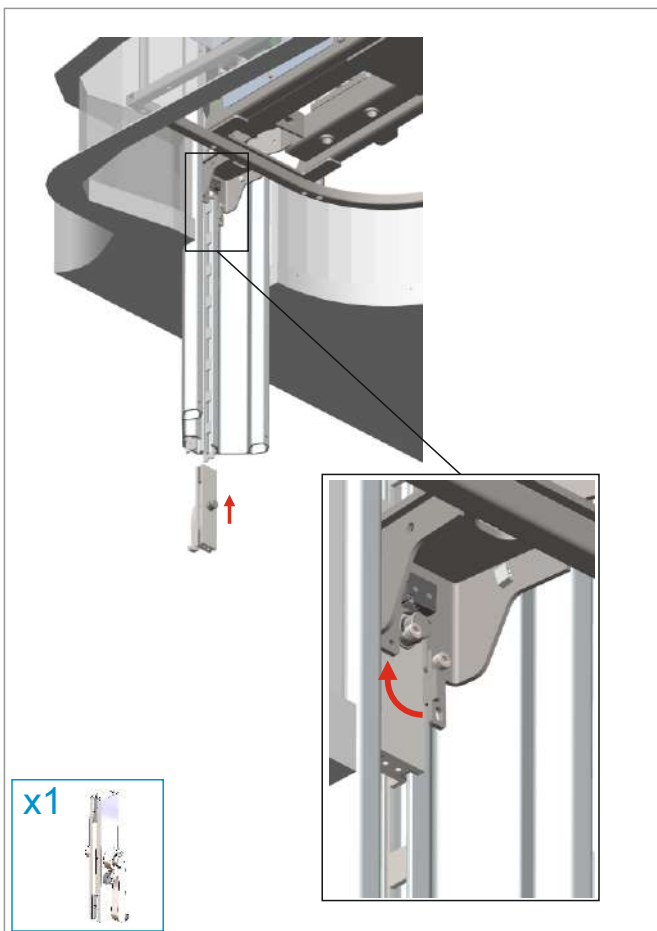
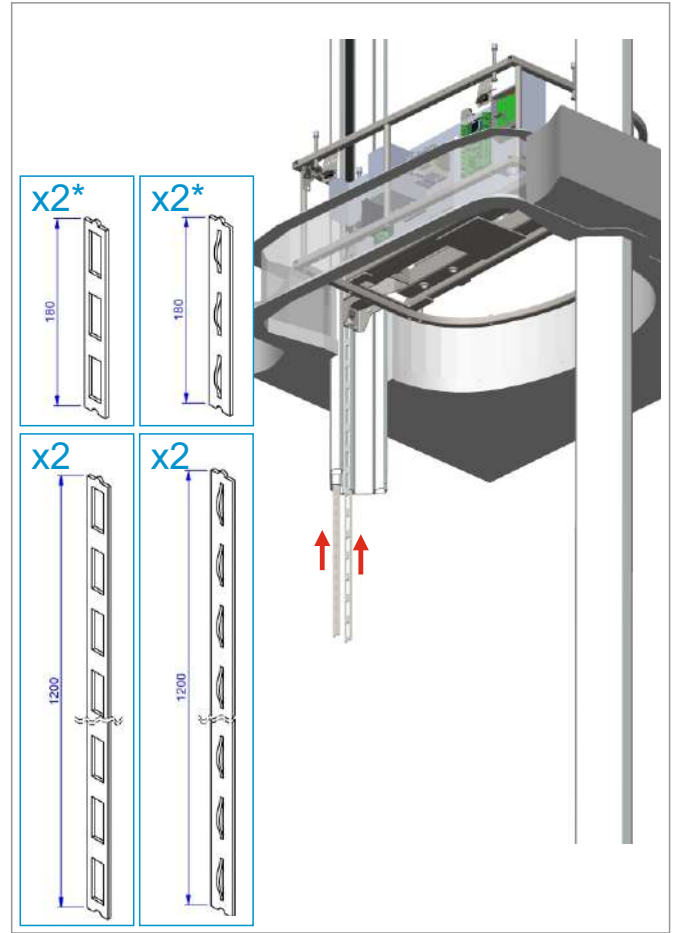
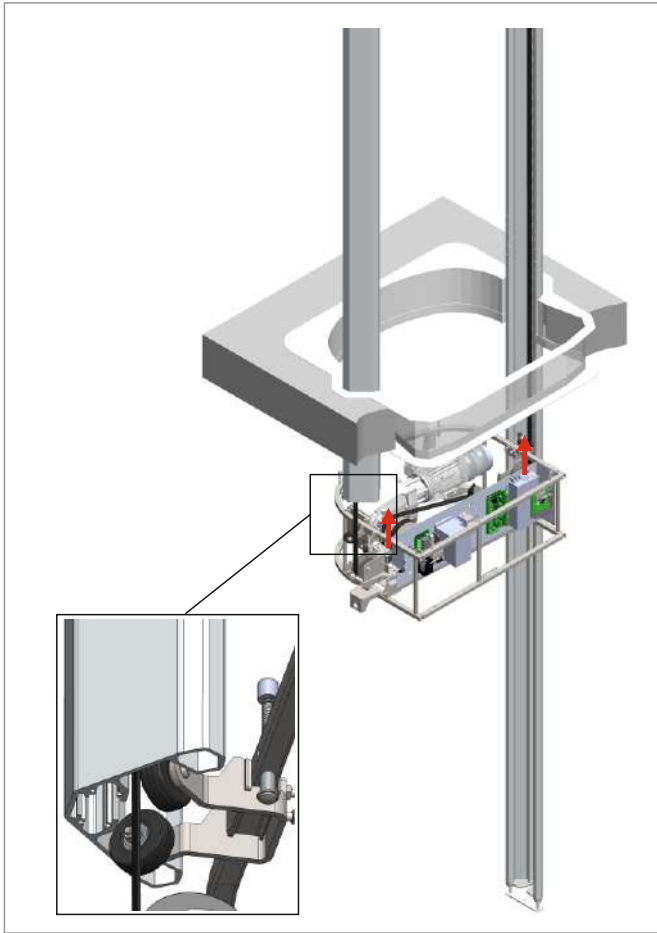
Guide Rail Base Covers

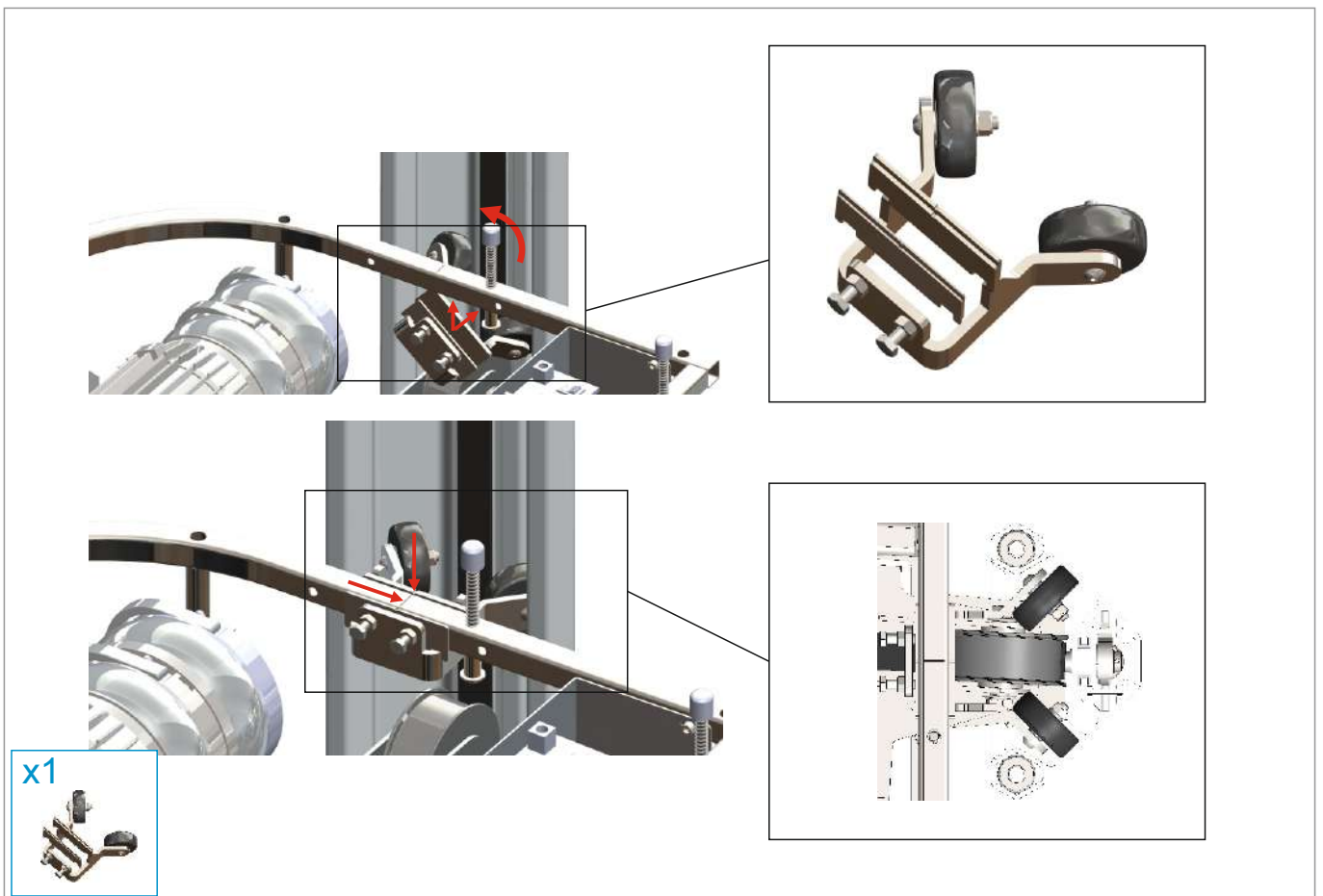
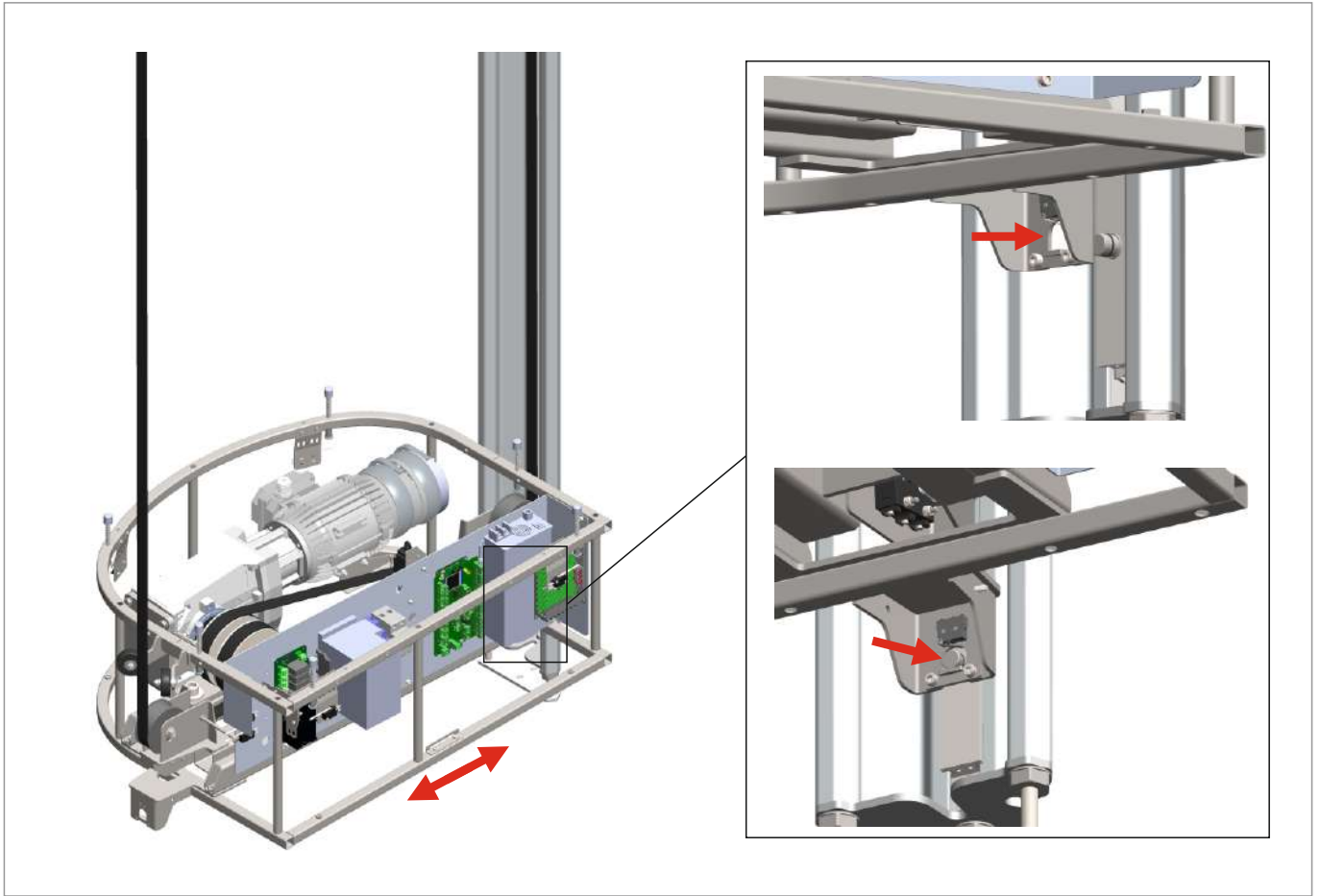
x15

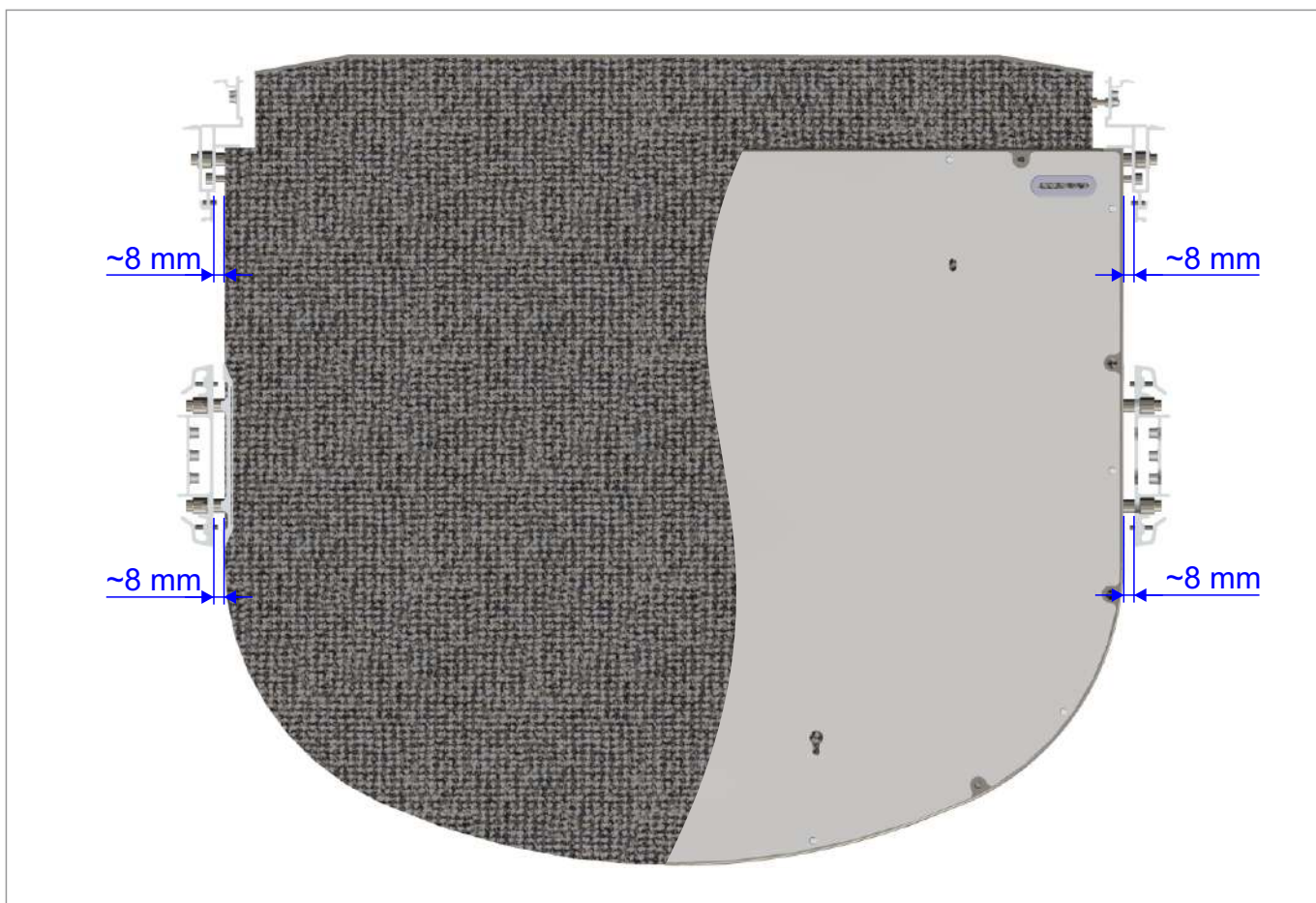
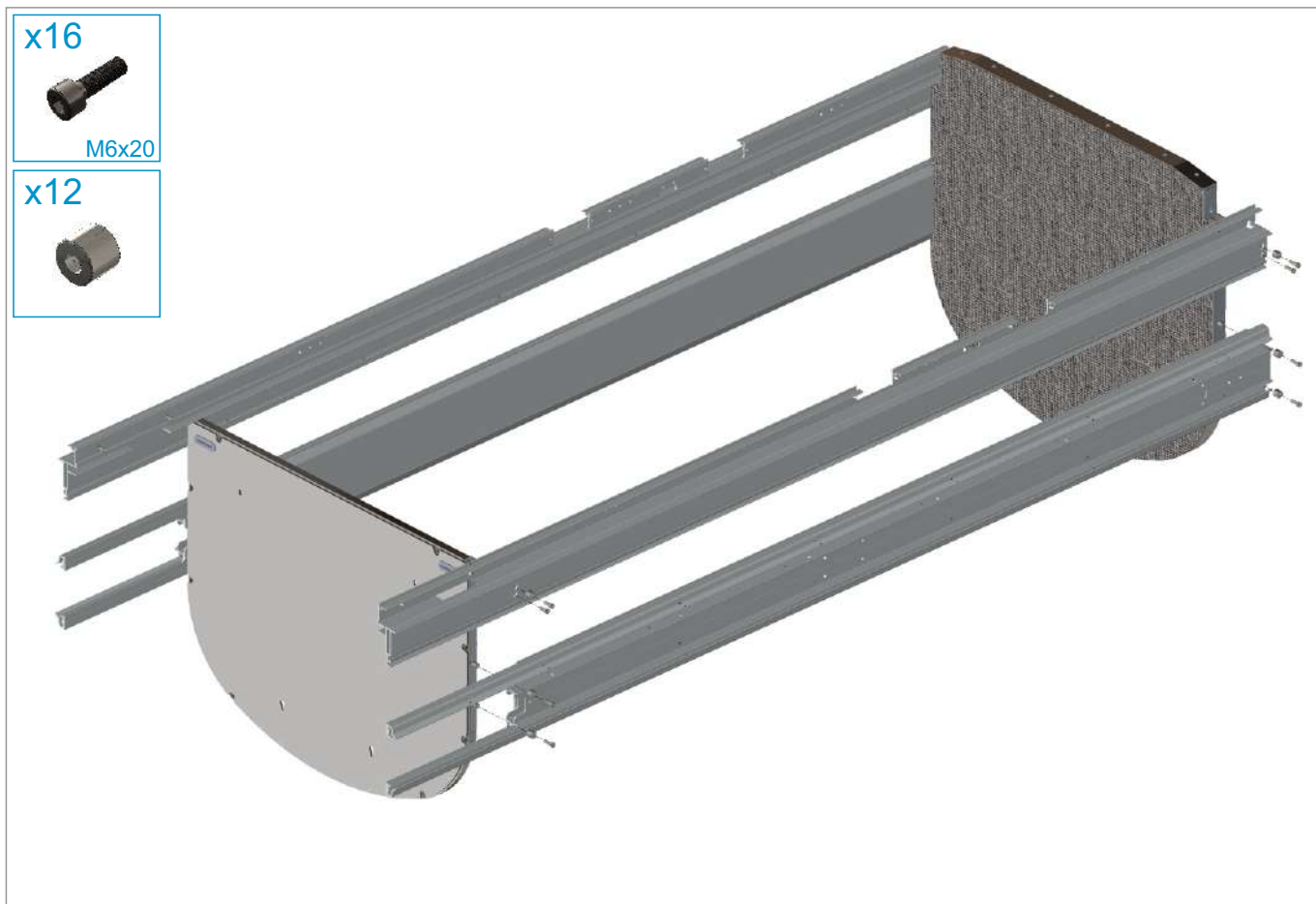


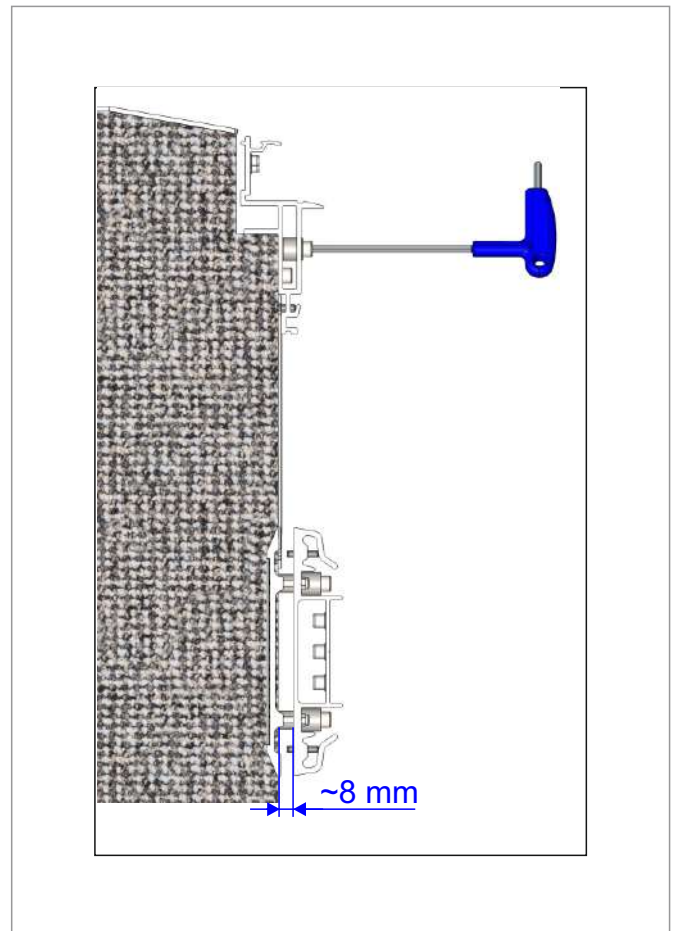
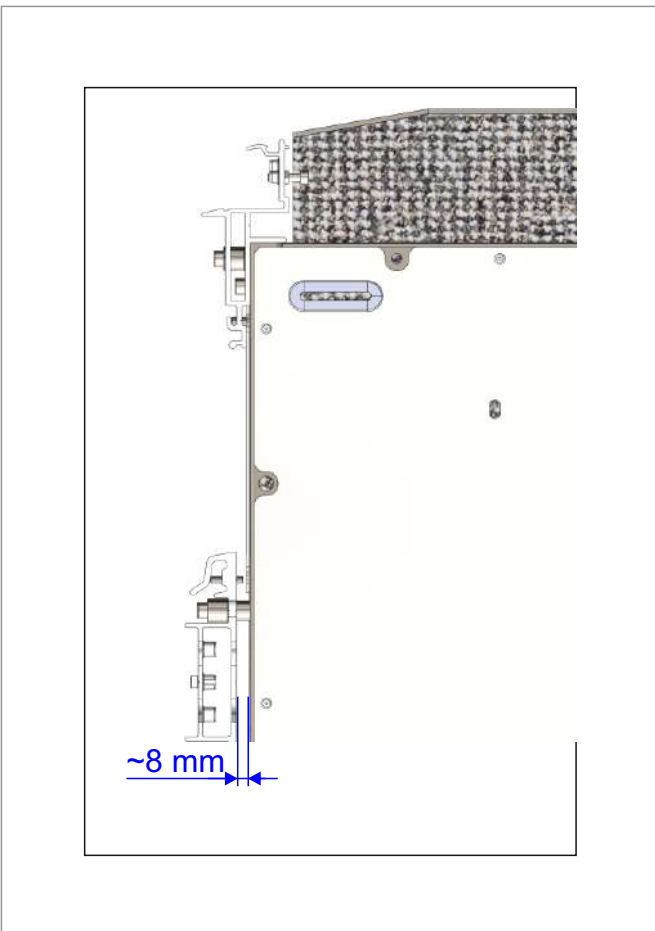
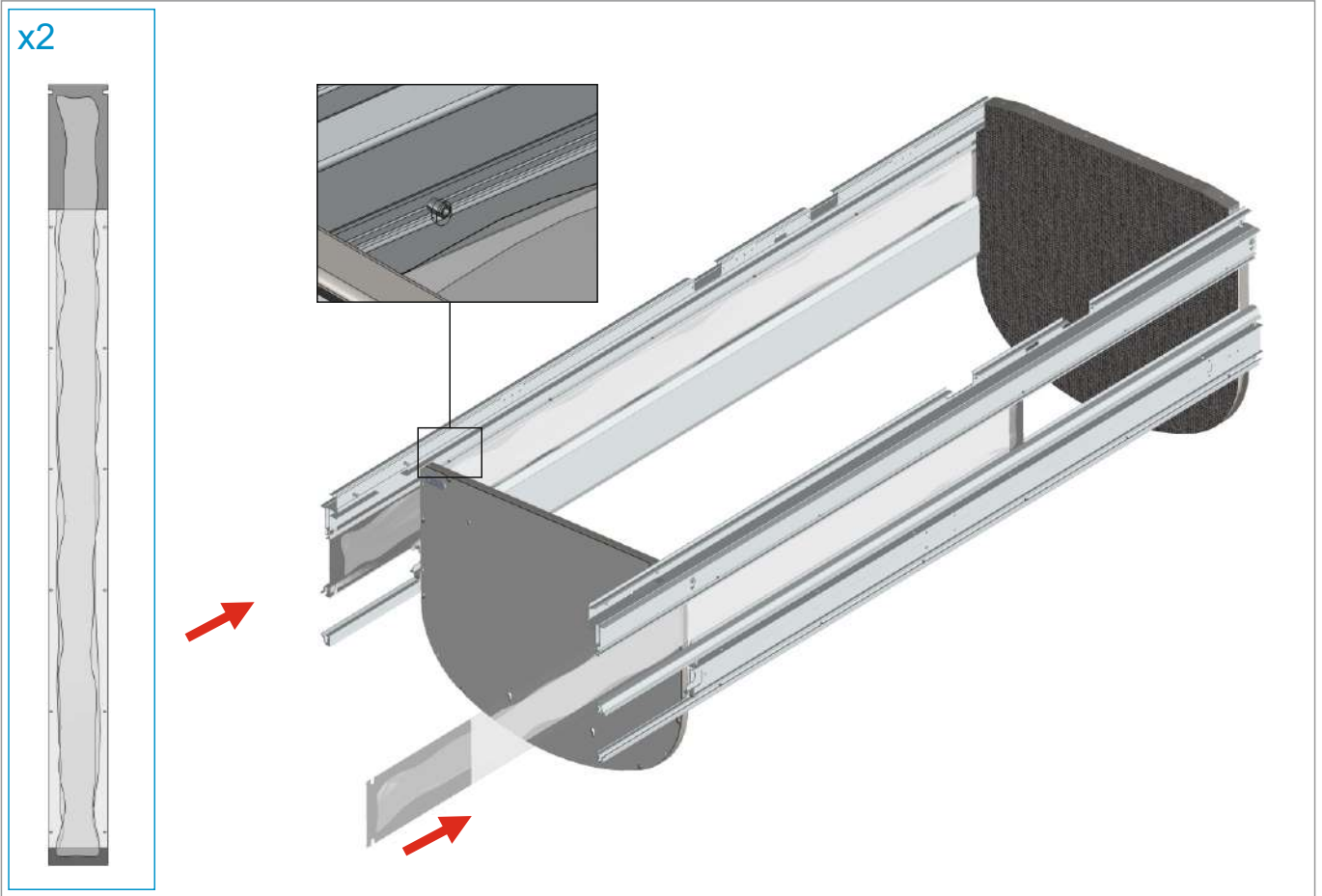
Cable Ties



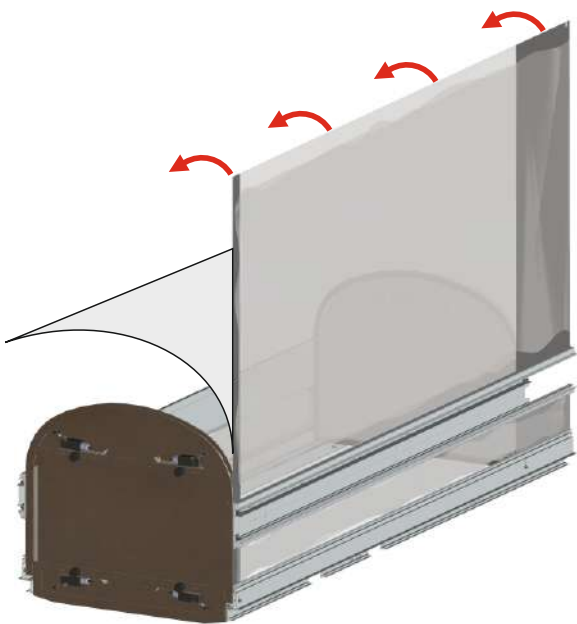
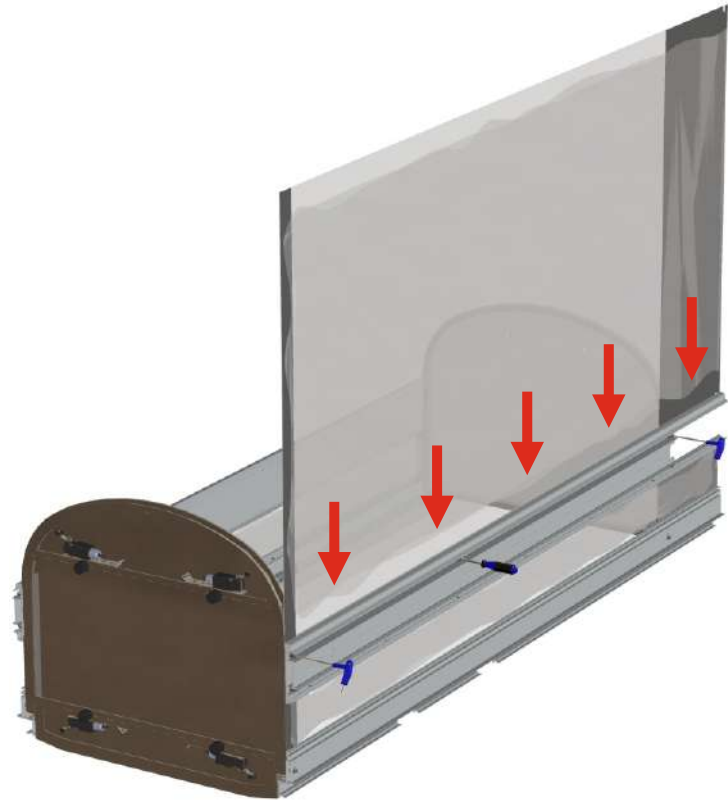


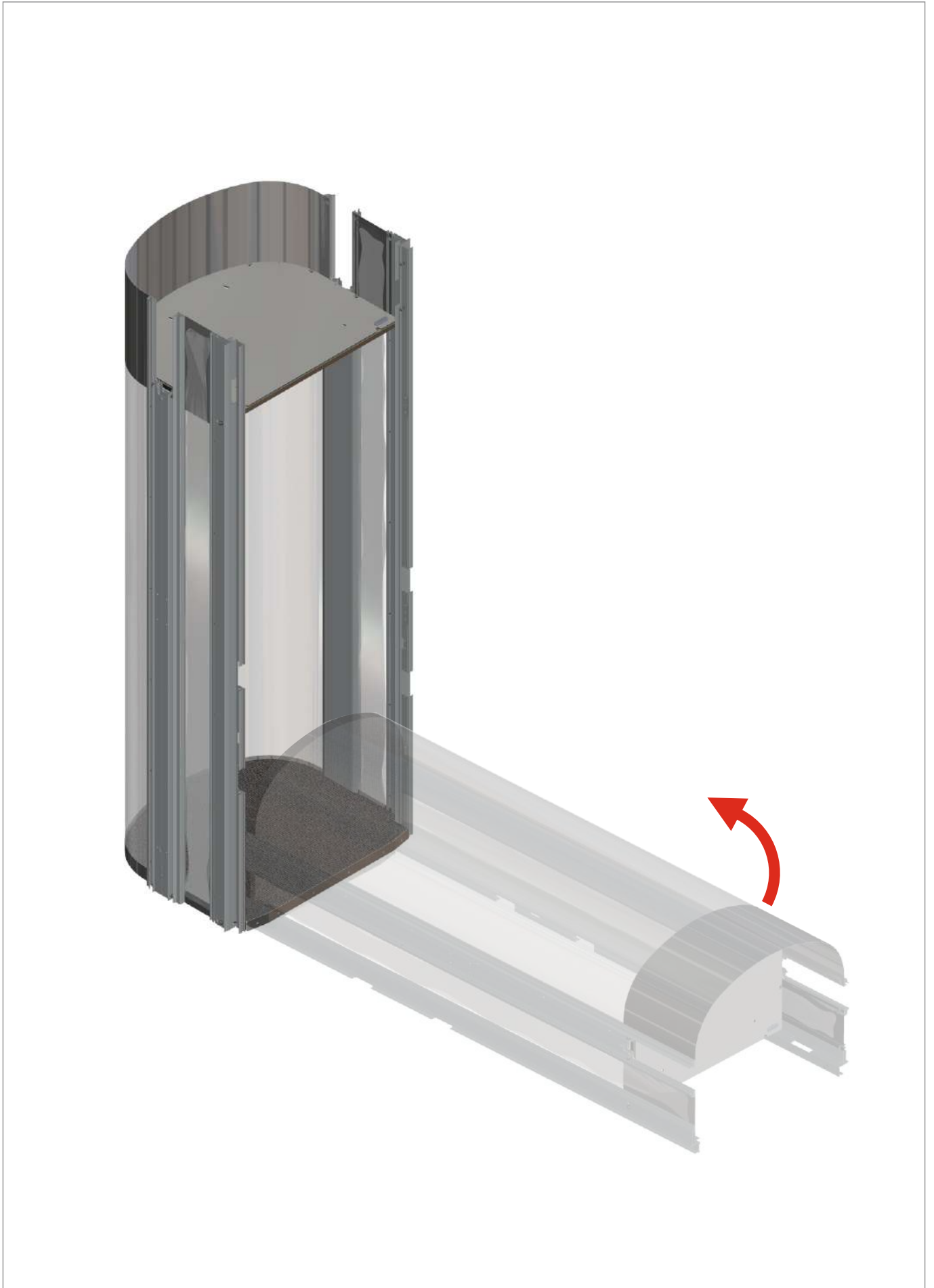


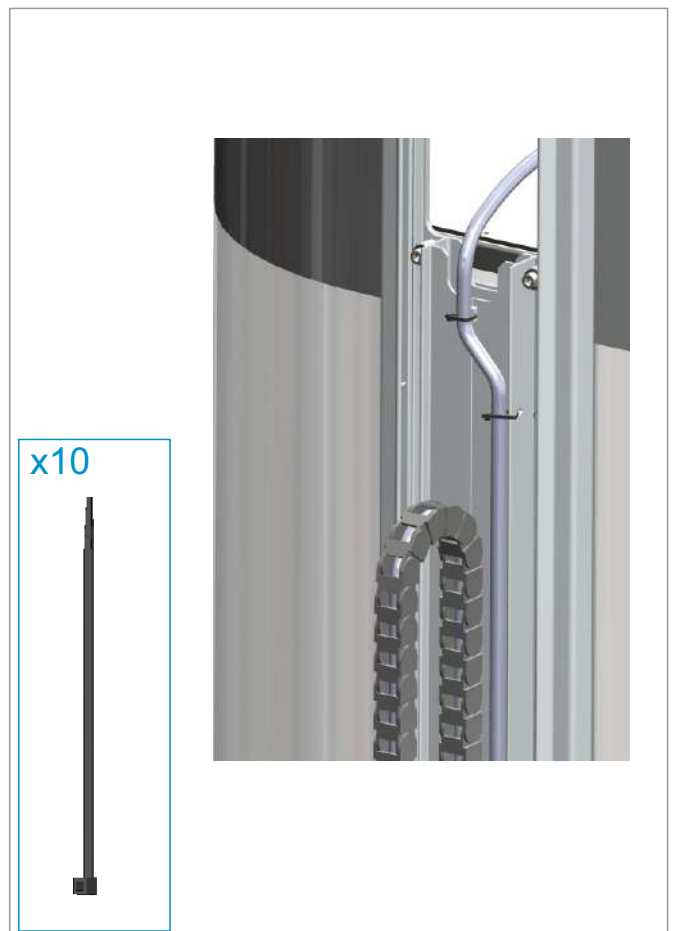
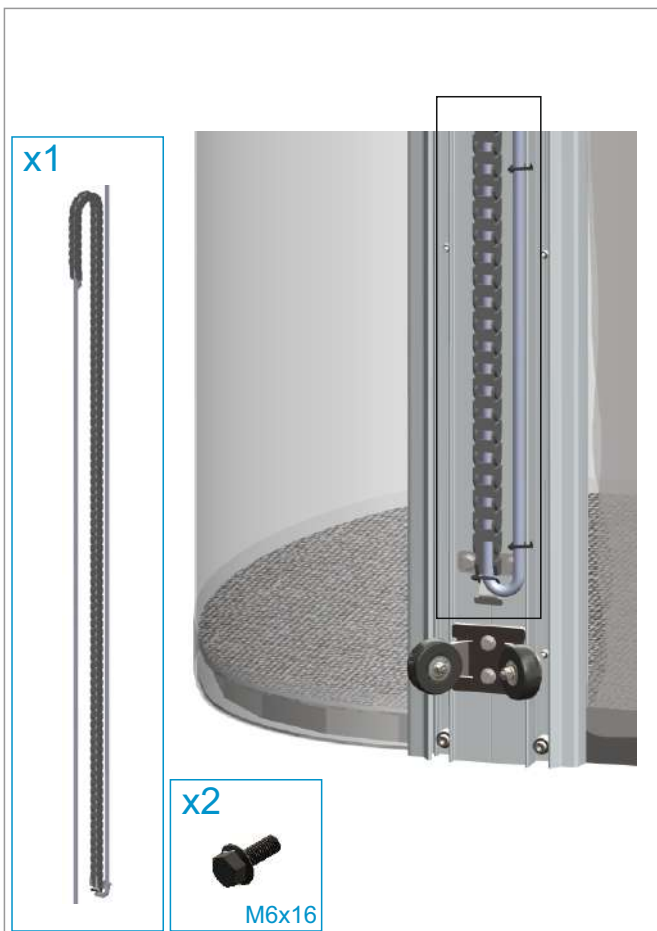
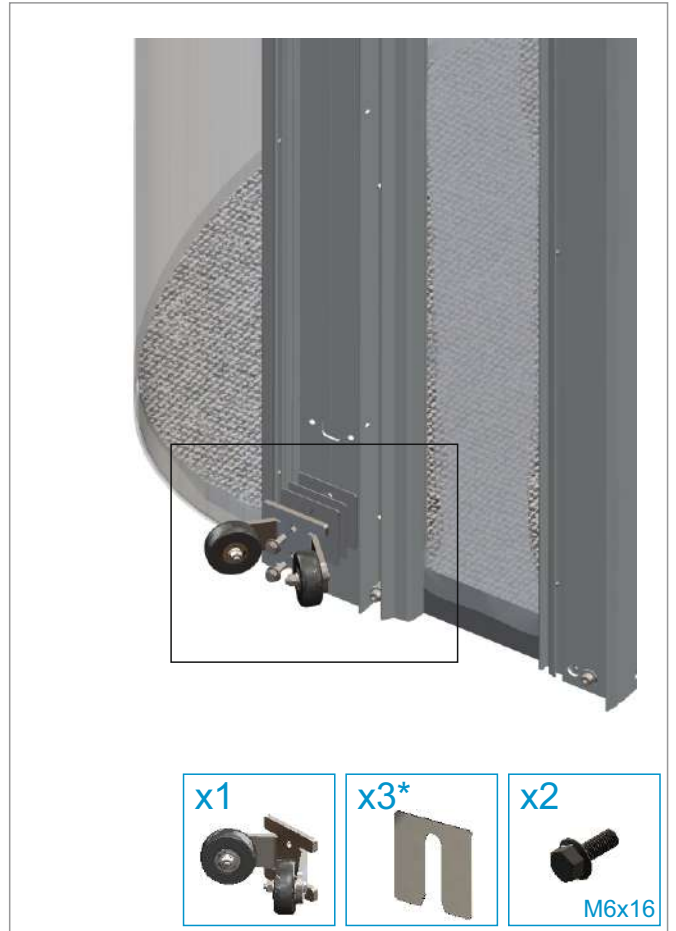
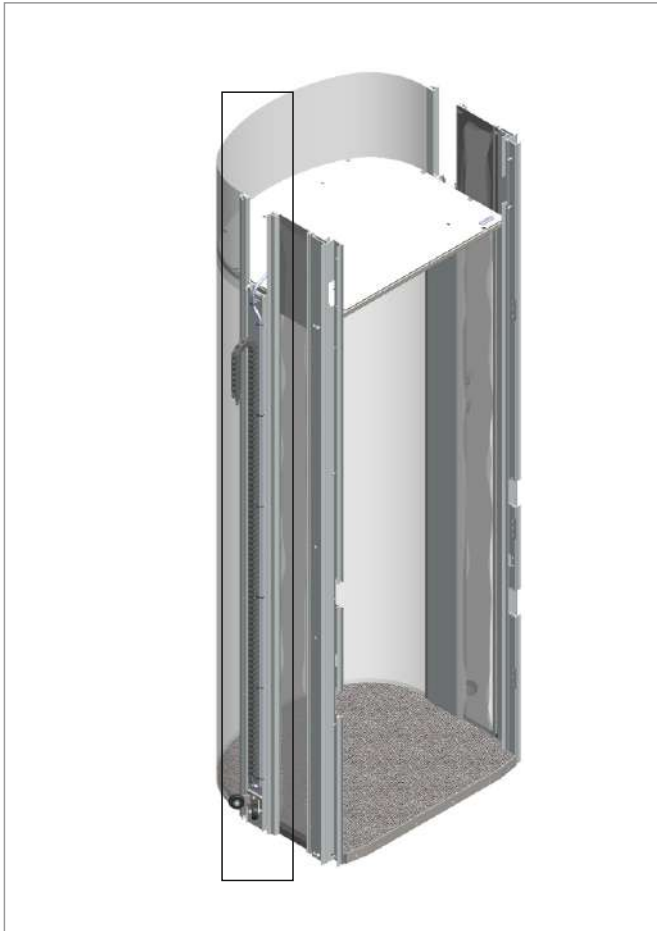


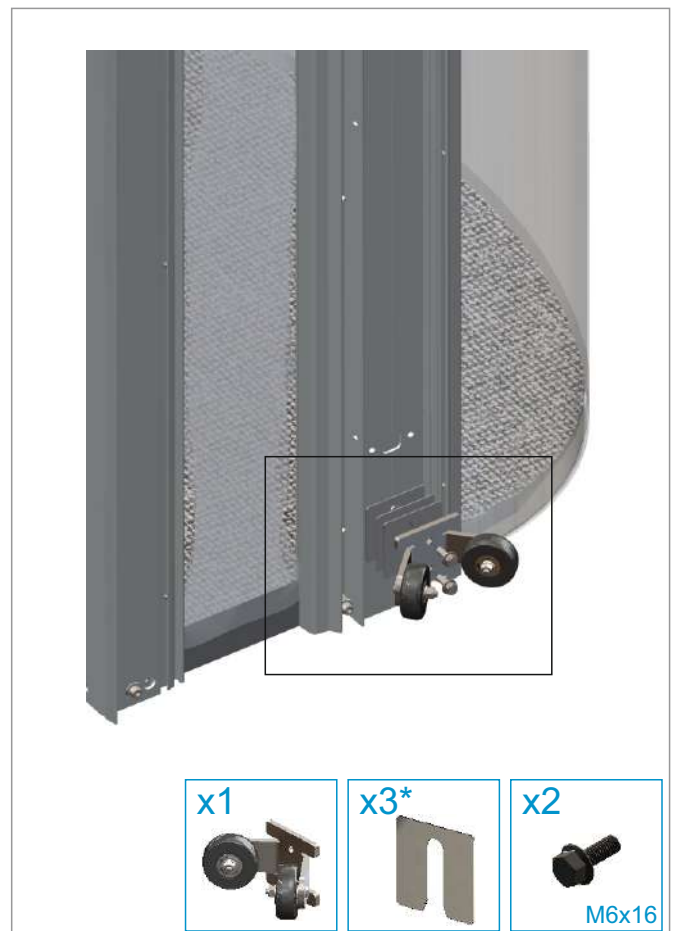
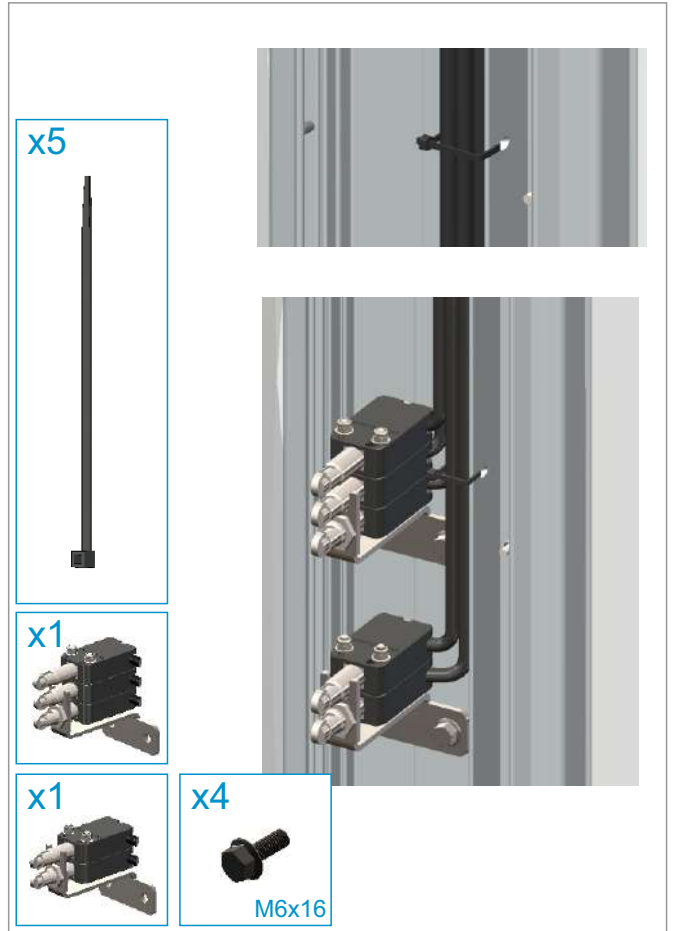


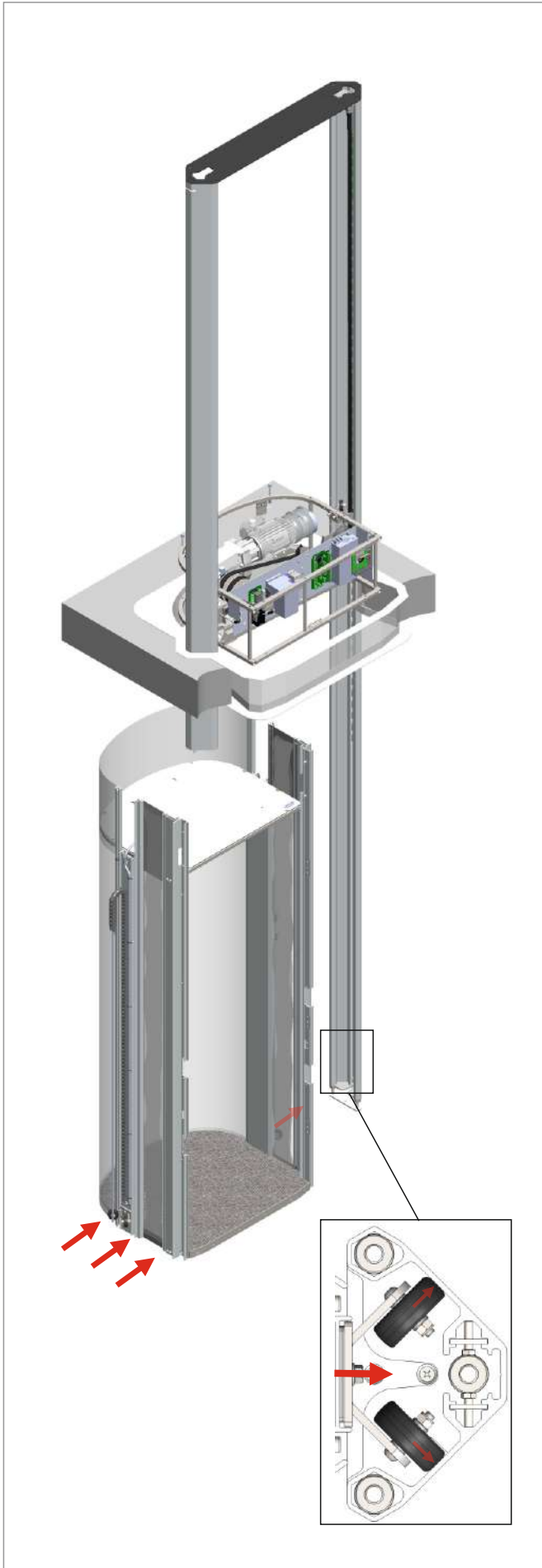
x1

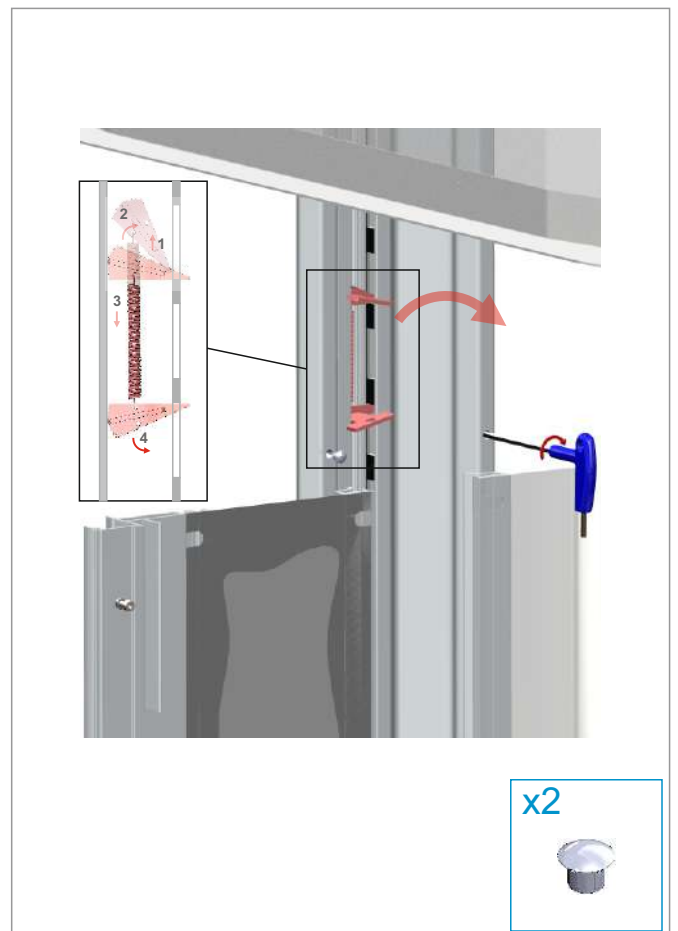
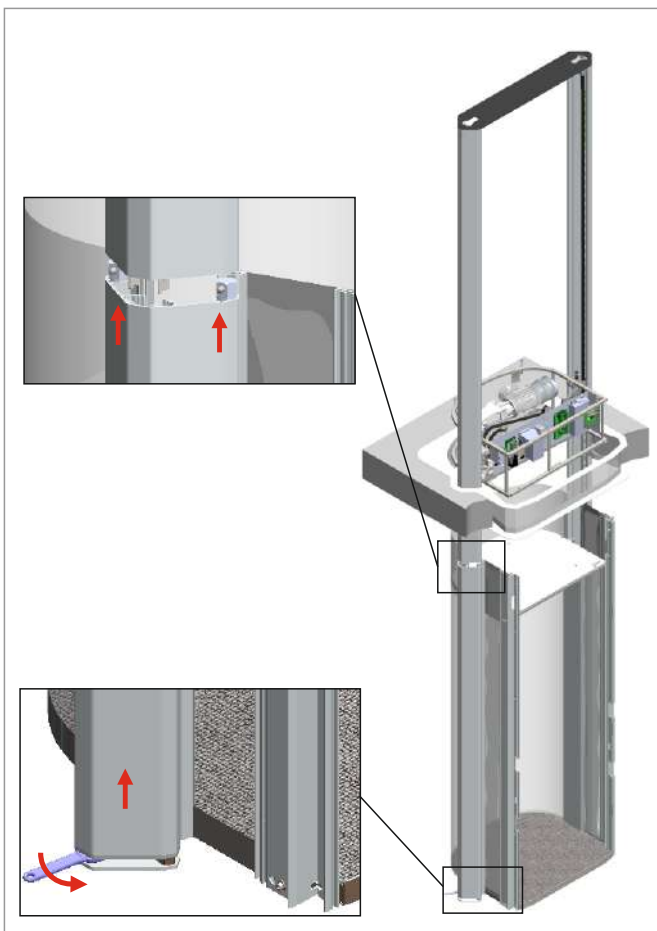
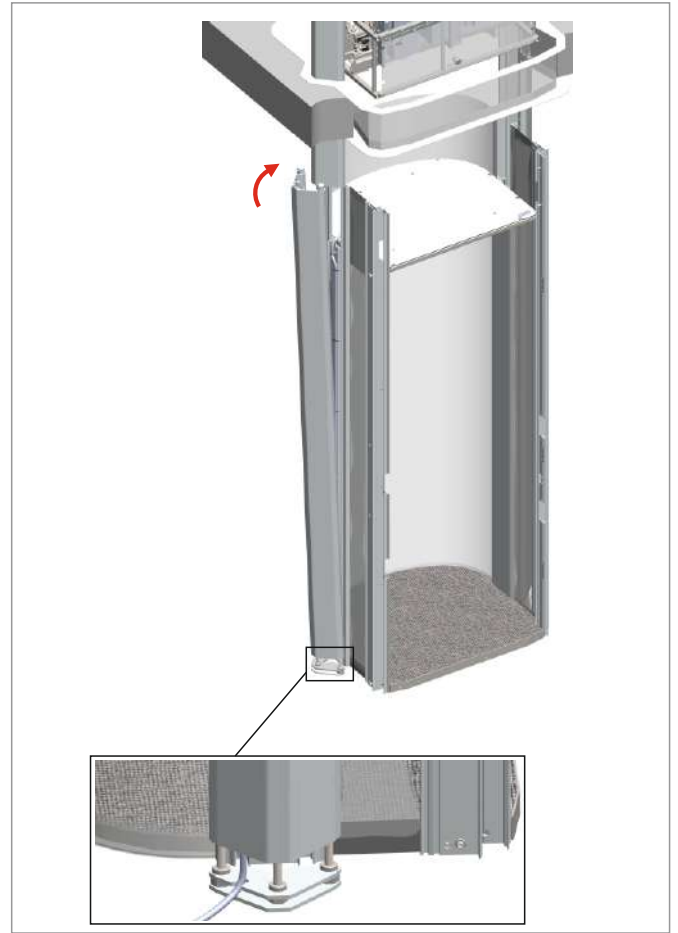
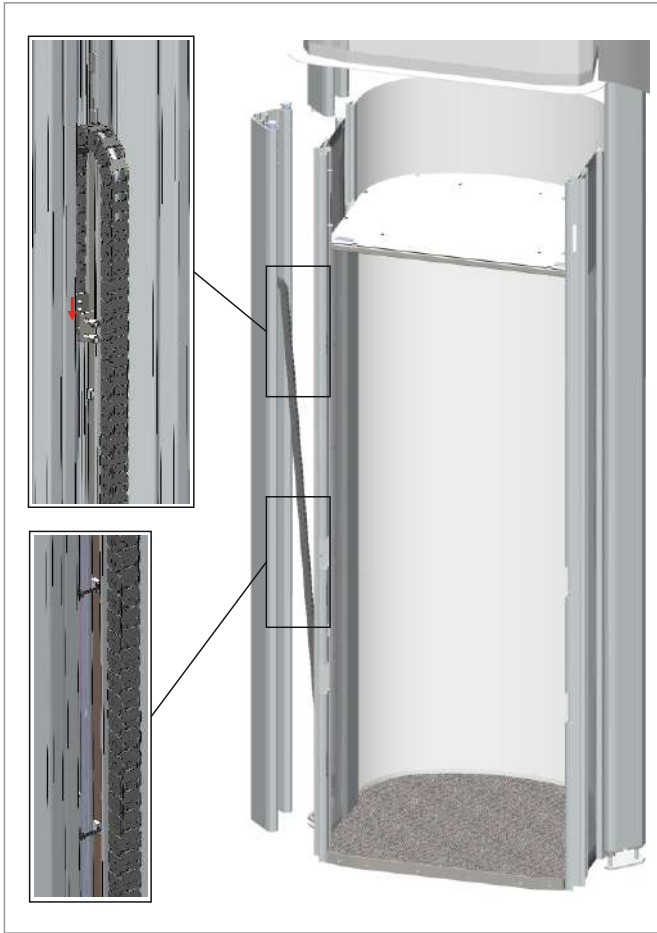


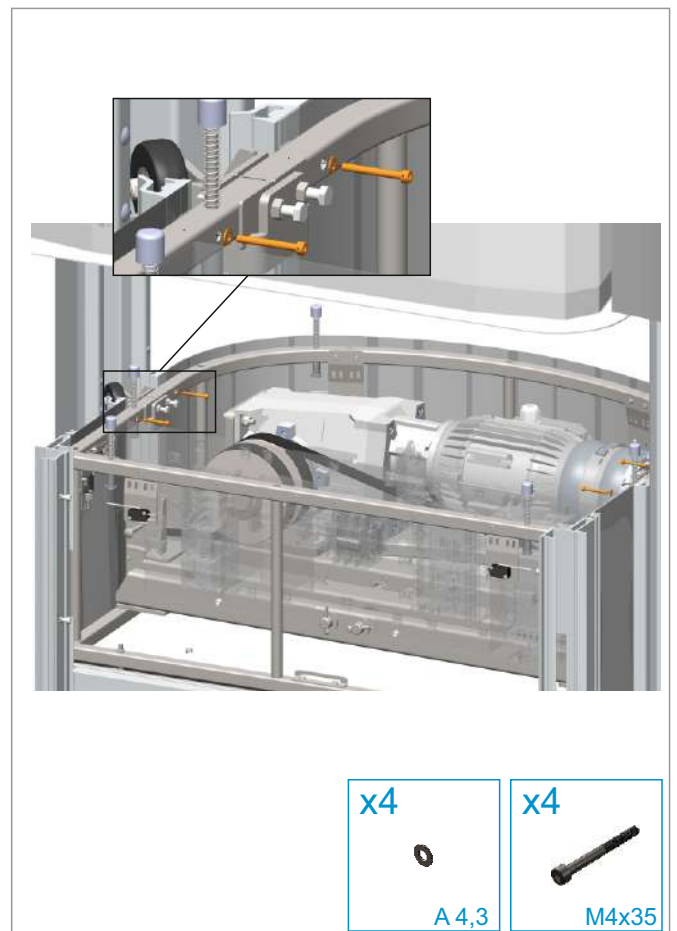
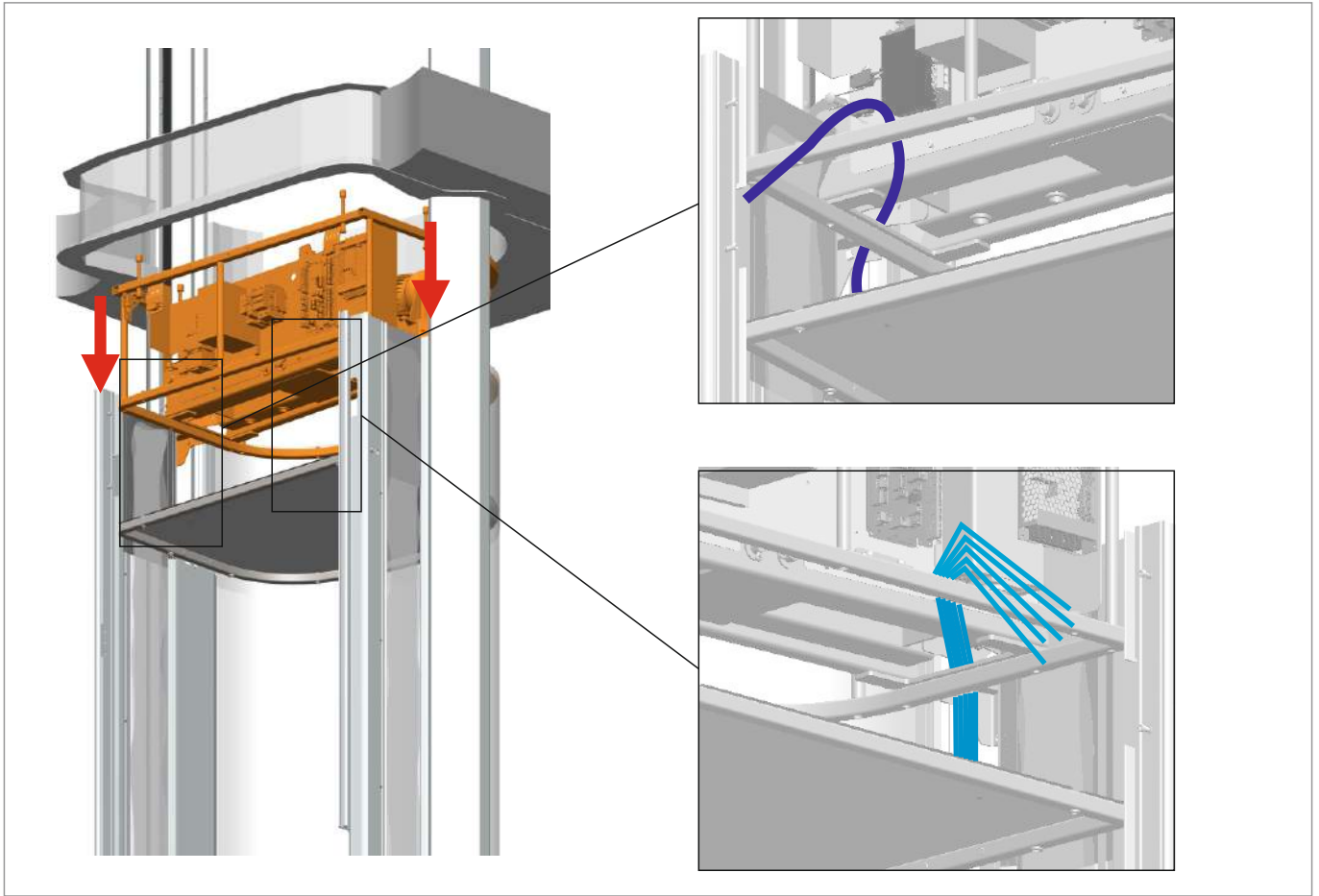


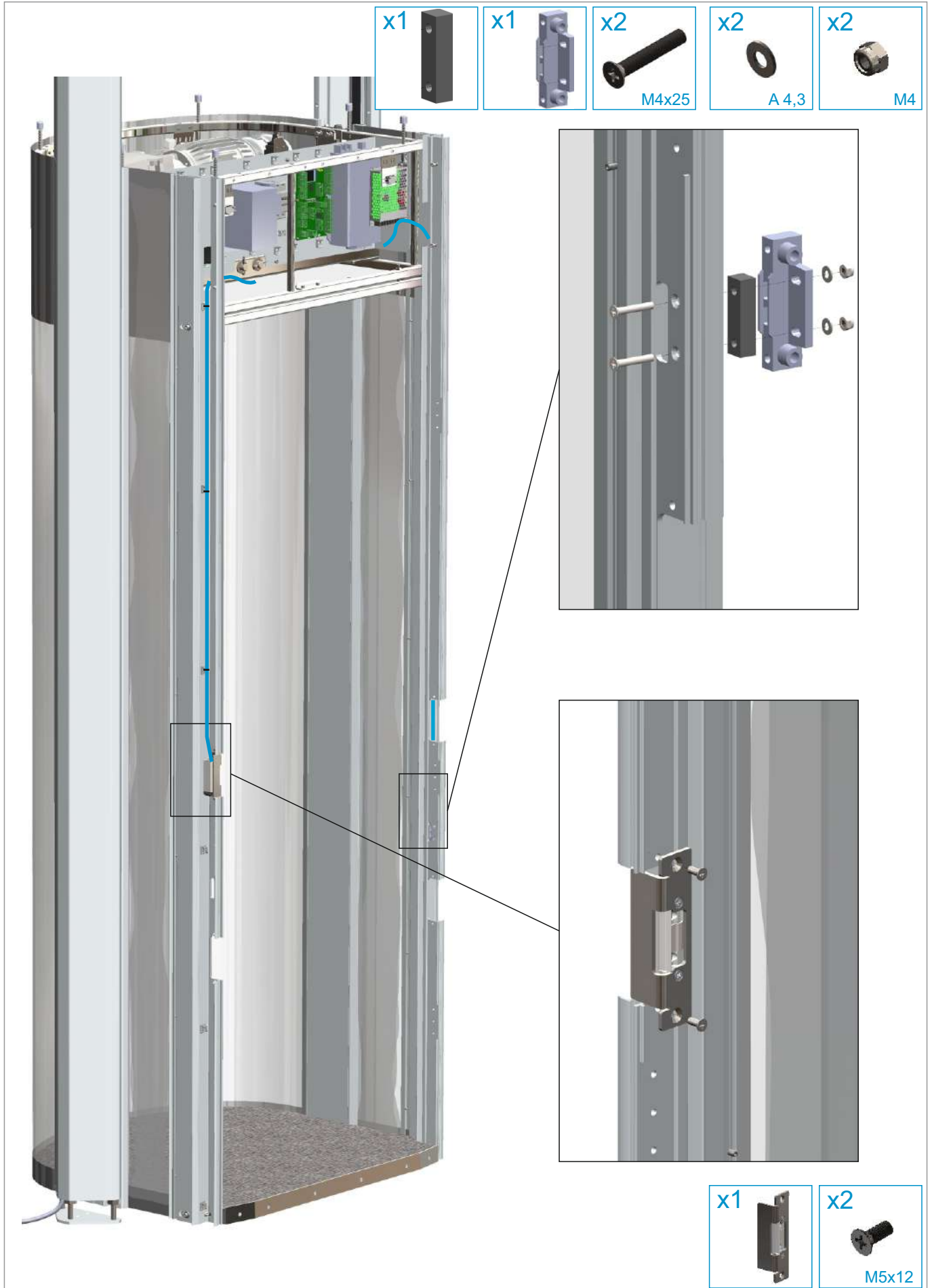




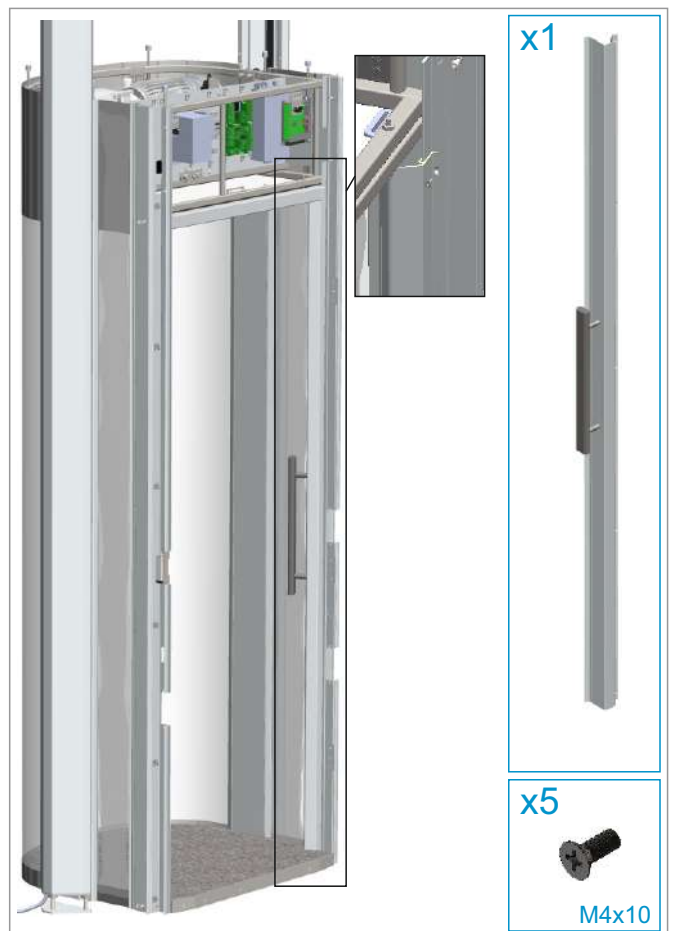
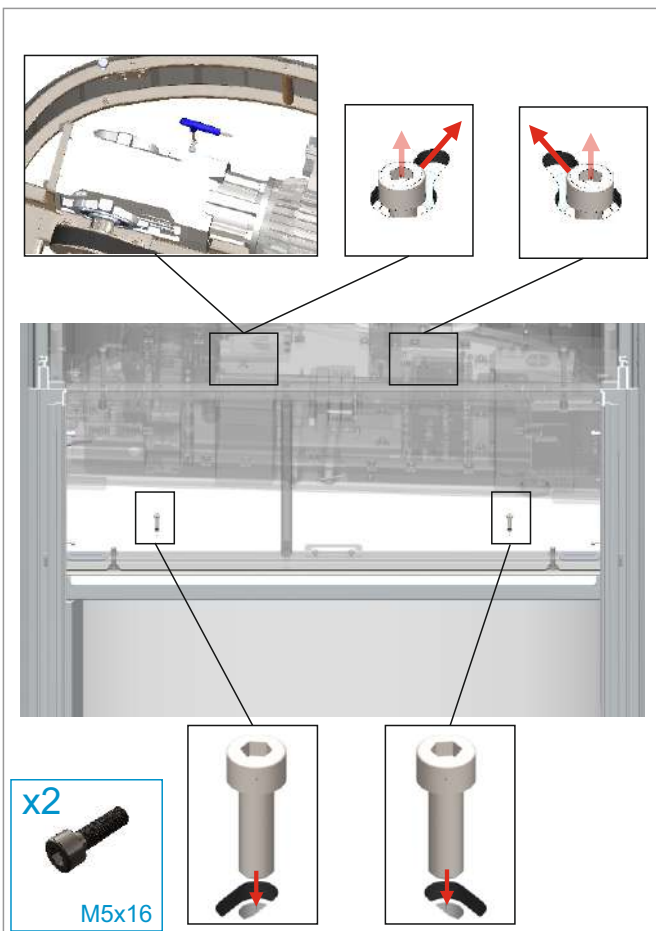
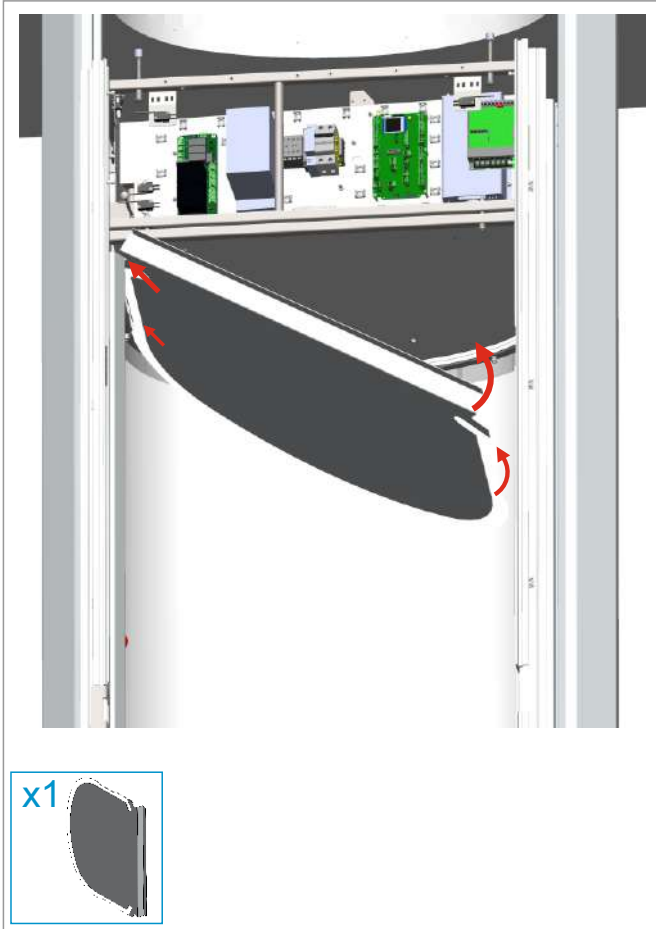


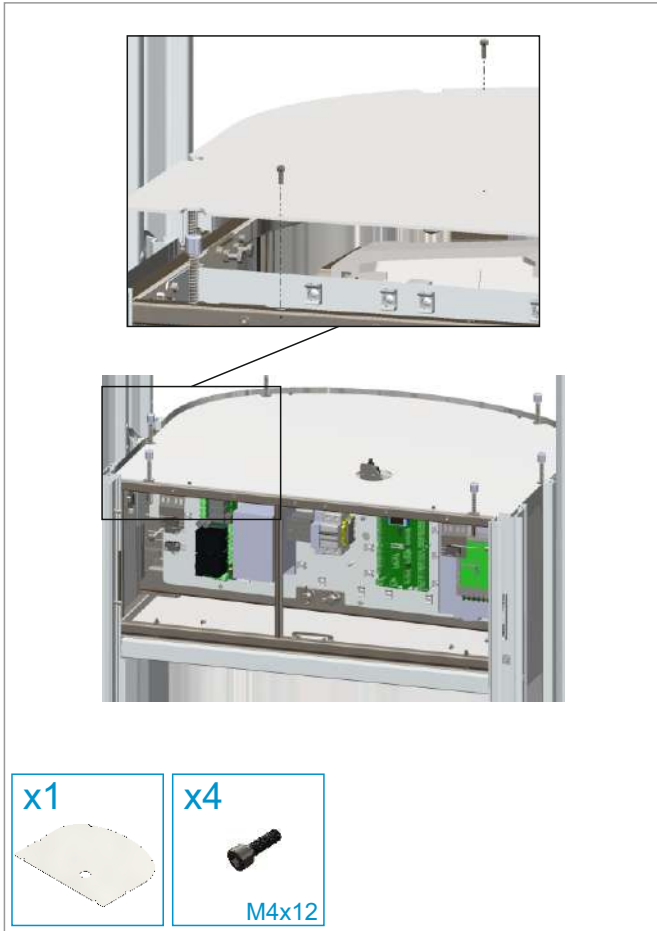




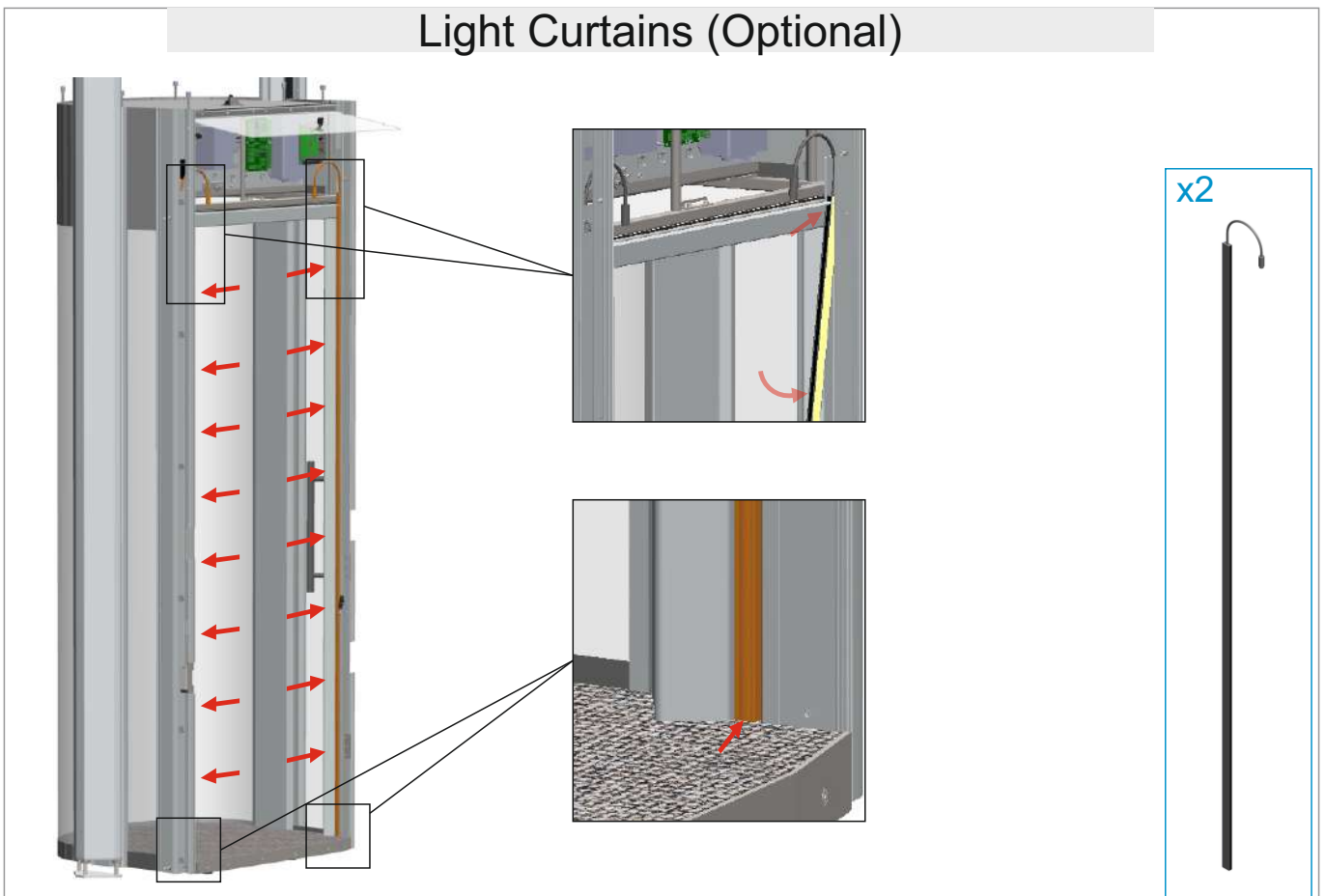




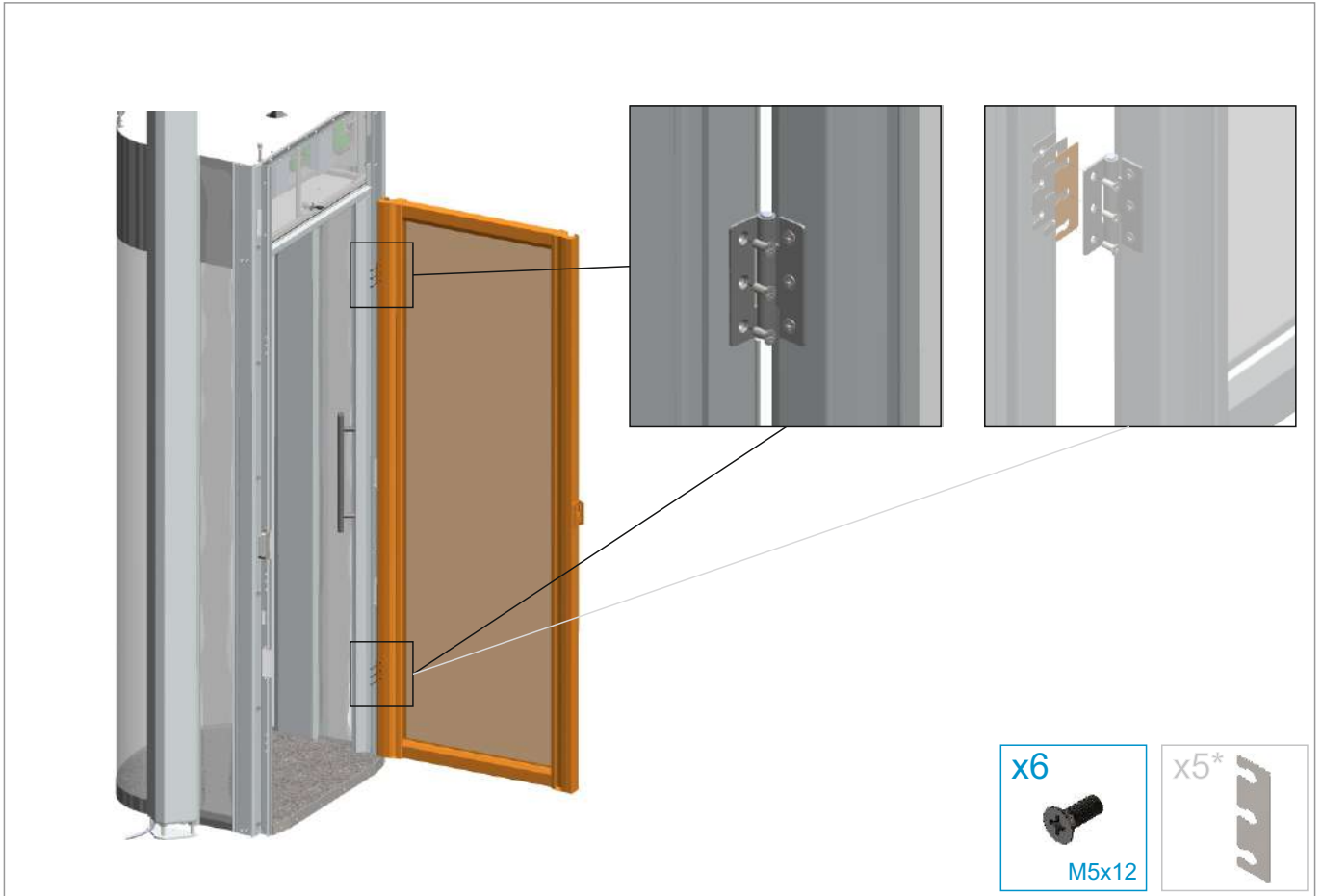




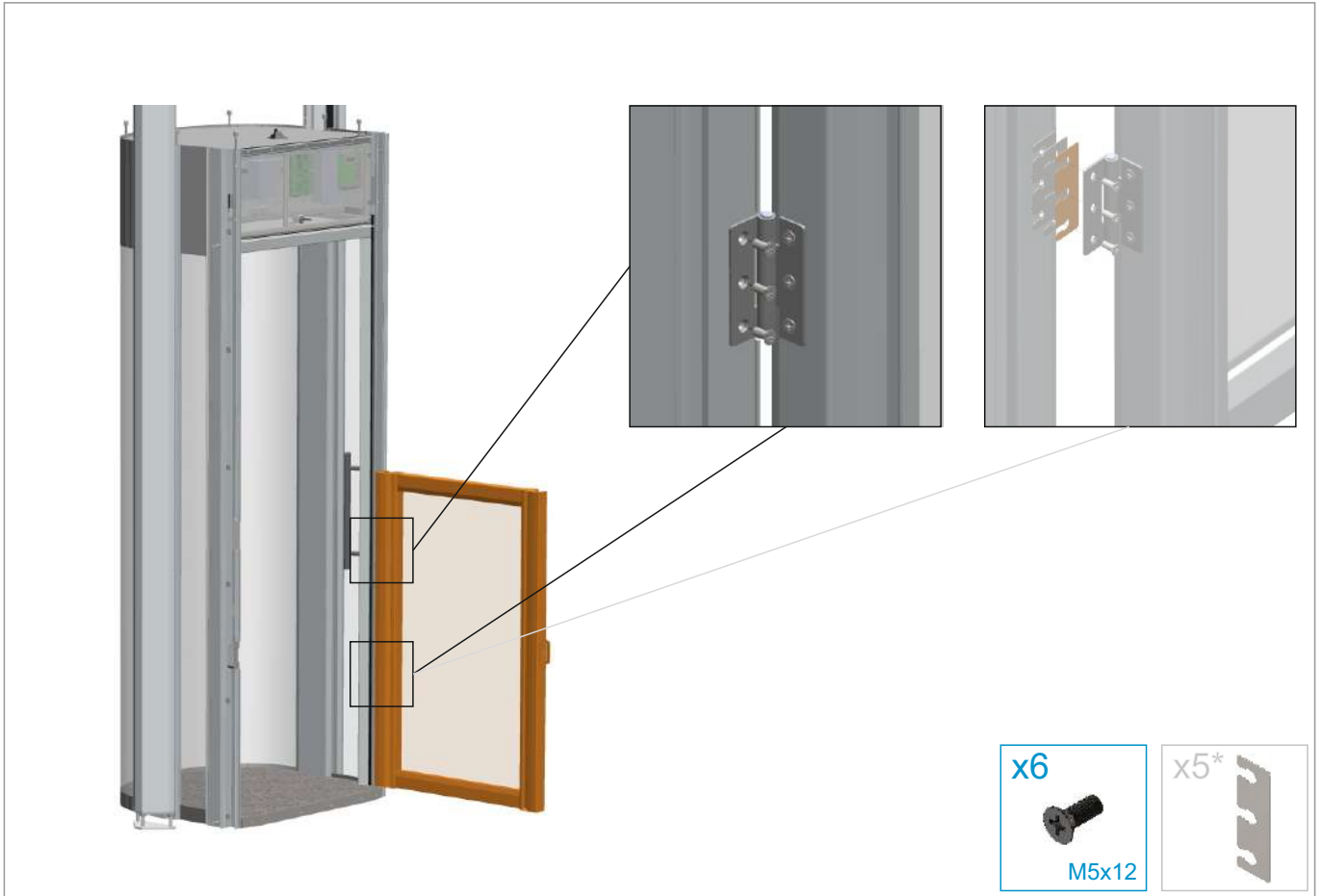
Light Curtains (Optional)



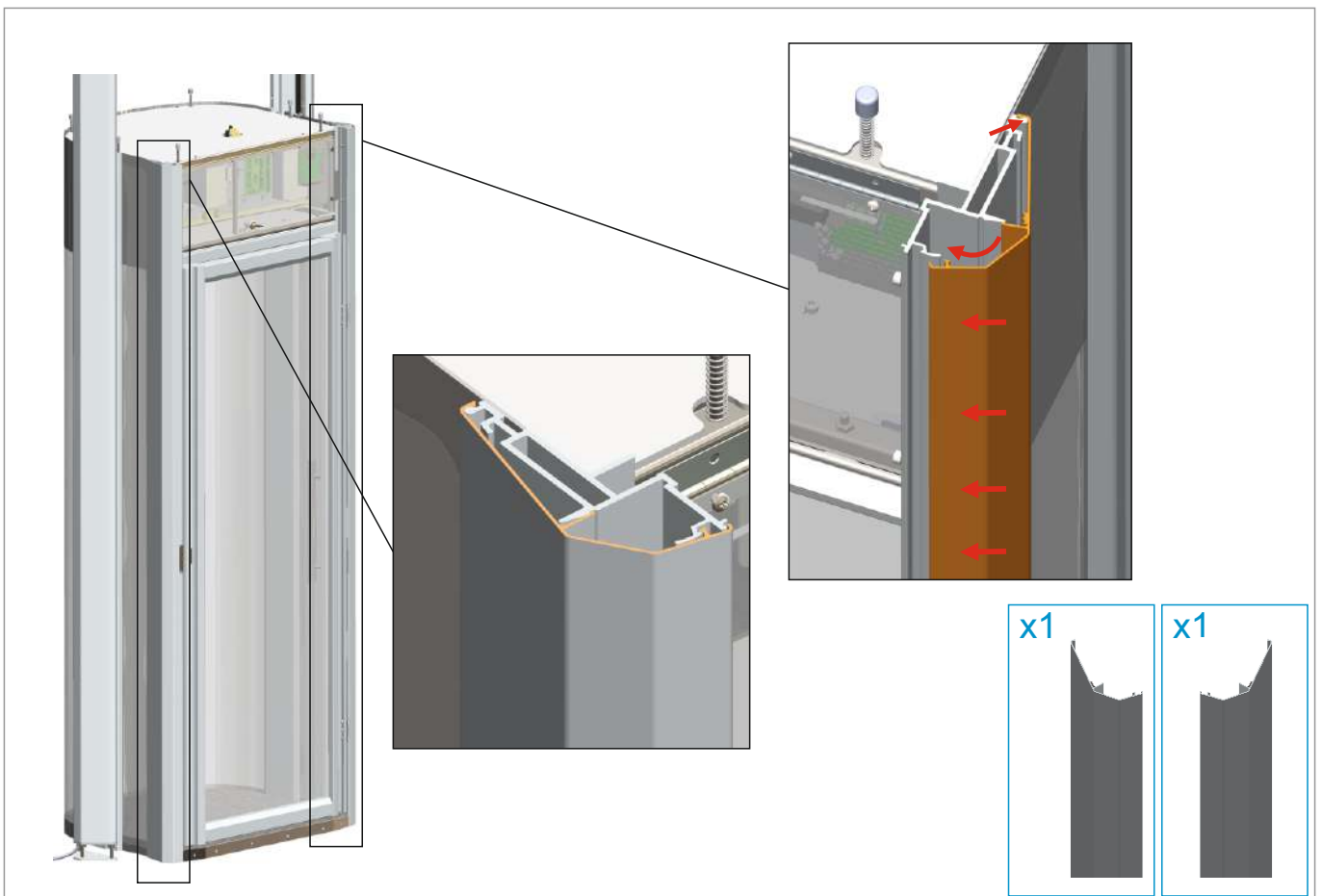
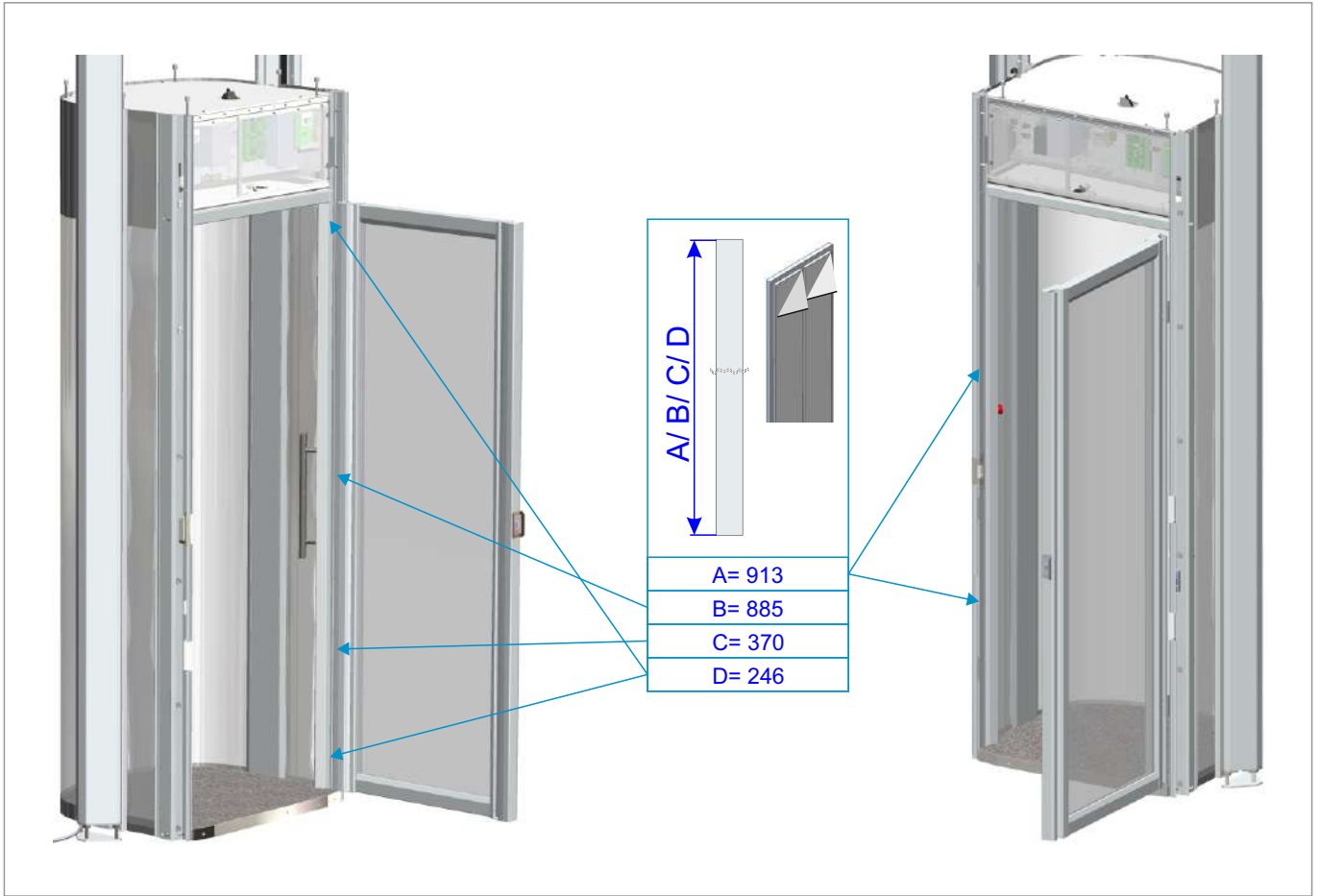
DOOR



GATE



DOOR



GATE

