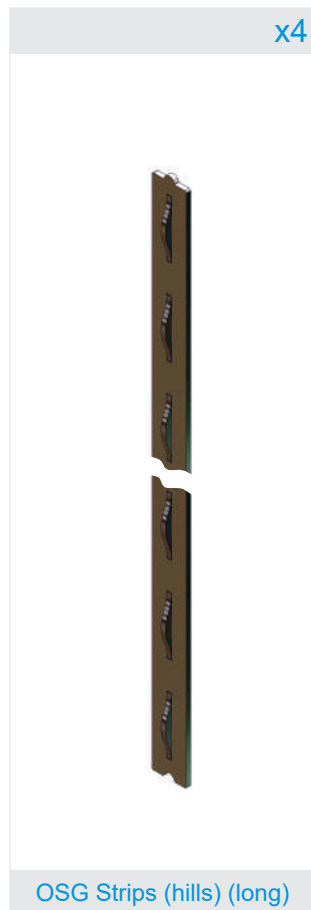
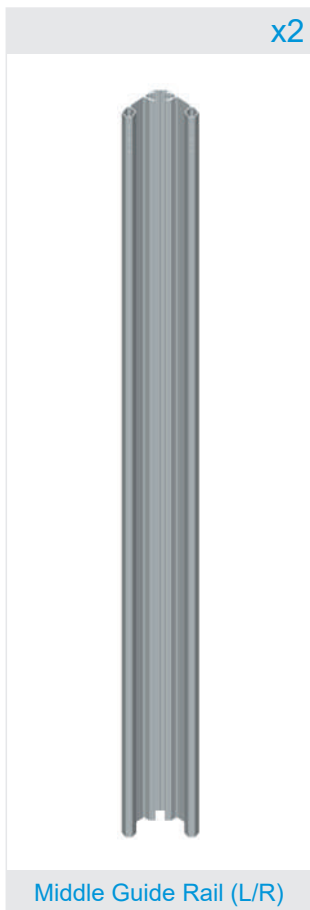
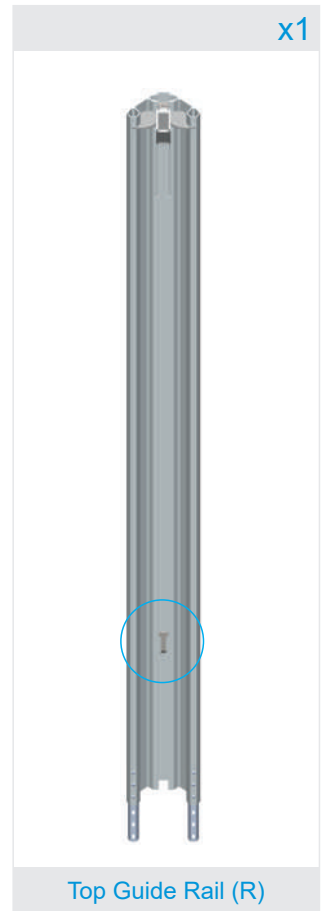
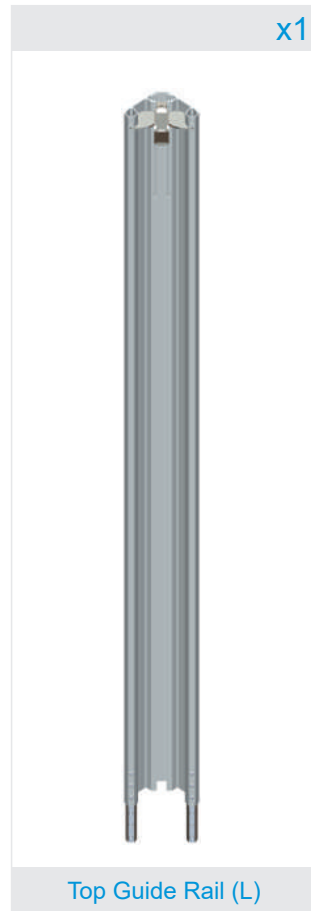
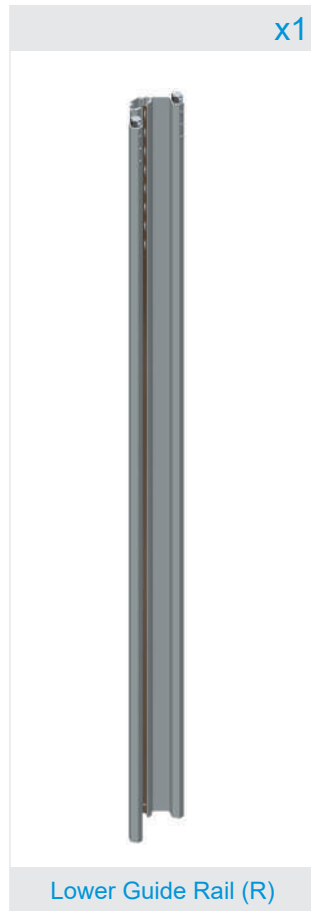
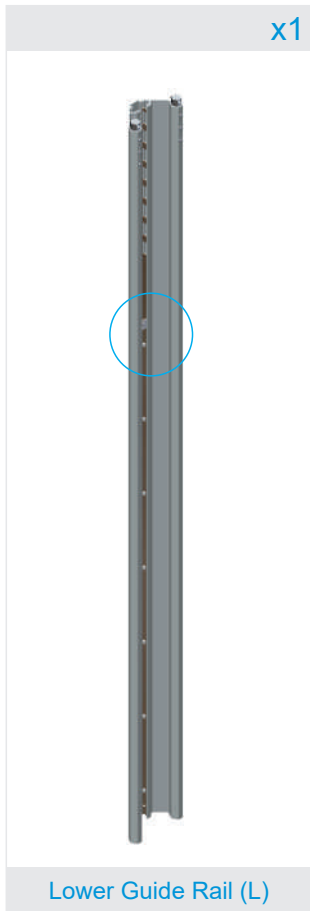


# ASSEMBLY GUIDELINES

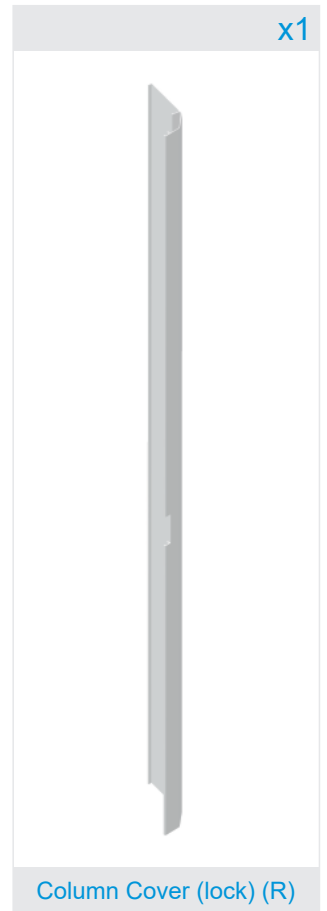
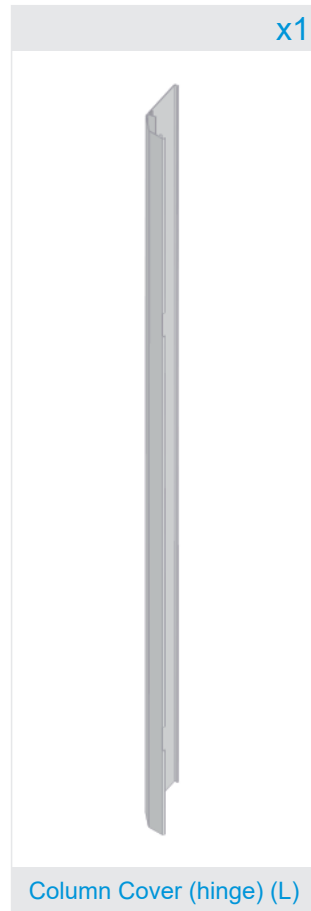
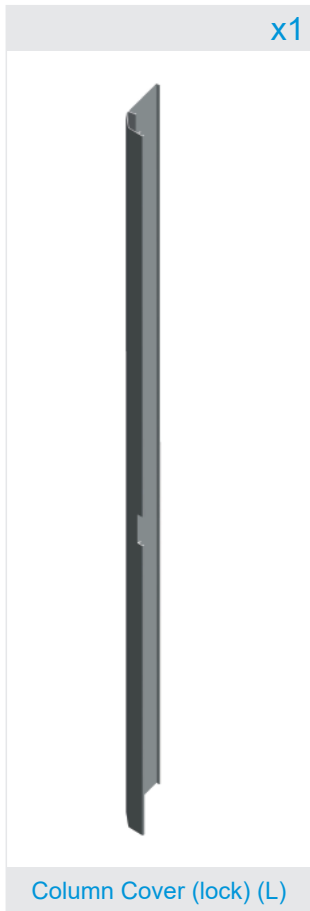


## List of corrections

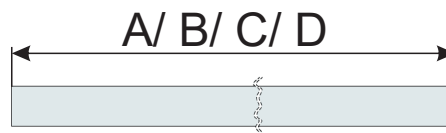
Version	Date	Notes
V 1.0	2024.03.06	First release
V 2.0	2024.11.22	Second release



DOOR

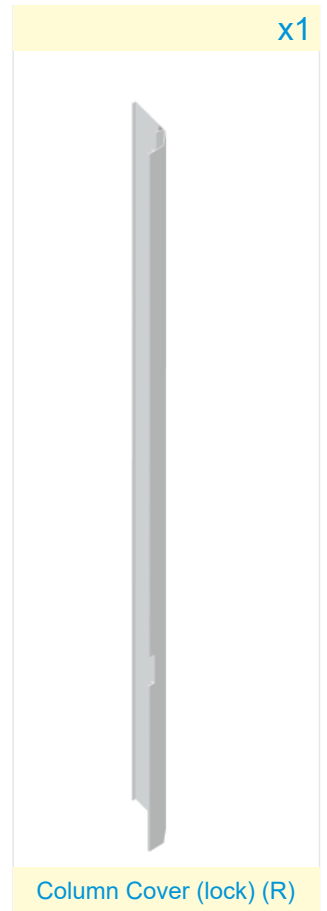
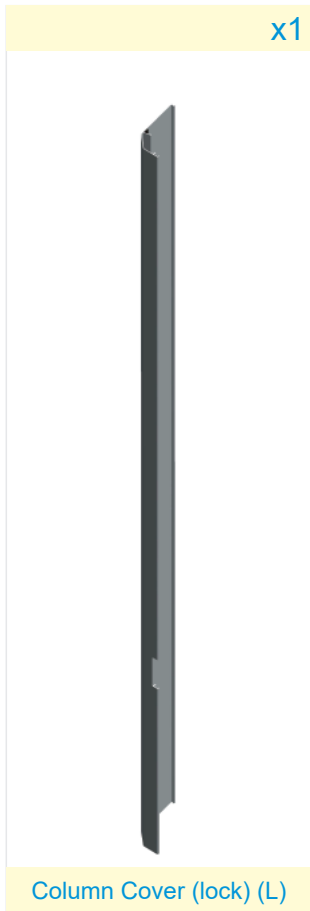


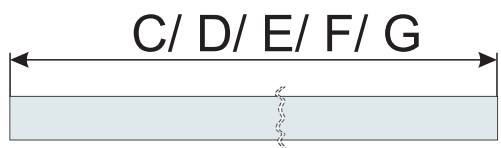
x2	A= 913
x1	B= 885
x1	C= 370
x2	D= 246



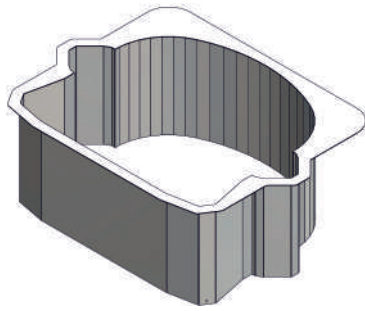
Lock/ Hinge Cover Strip (Door)

GATE



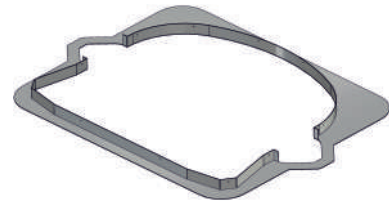
x1	C= 370	x1	G= 500	
x1	D= 246			
x1	E= 1323			
x1	F= 1065			
				Lock/ Hinge Cover Strip (Gate)

x1



Floor Insert

x1



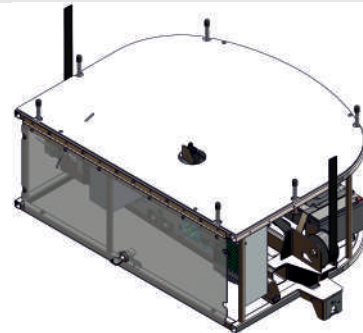
Floor Insert Flange

x1



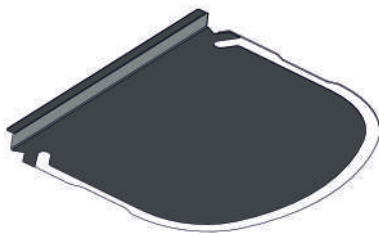
Shaft Lid

x1



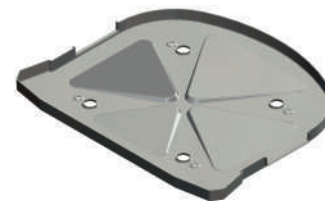
Drive Unit

x1



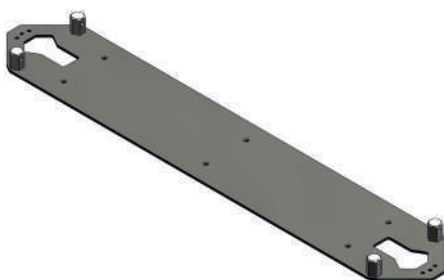
Ceiling

x1



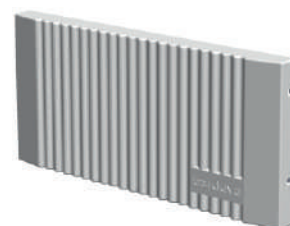
Safety Bottom

x1

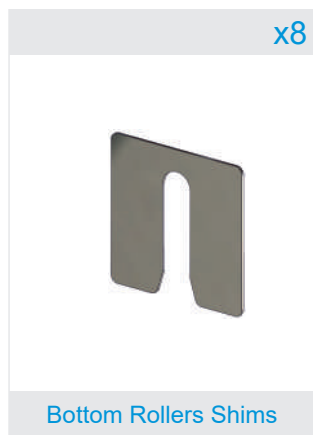
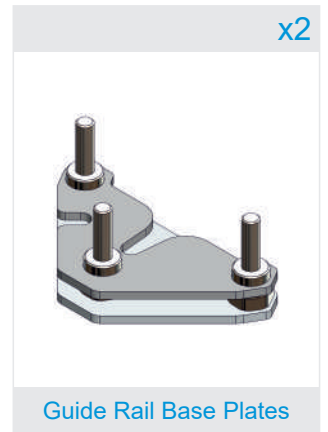


Guide Rails Spacer

x1



Front Cover



OPTIONAL x1



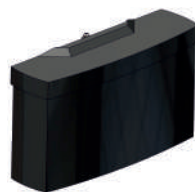
Drop Seat

OPTIONAL x1



Auto Dialer

OPTIONAL x1



GSM 4G

x14



x10



M6x20

x4



x4



M6x35

x4



M8x70

x4



M6x60

x8



M5x16

x12



3,2x8

x8



4,0x10

x30




Cable Ties

x44




Hole Plugs

Standard x2




Heavy x4



Shaft Lid Springs Set

x10



Hinge Shims

x1



Fuse 30A

x2



Remote Control

x2



OSG Installation Tool

x2



Column Cover Removal KEY

x1




Guide Rail KEY

x2



Door Lock Key

x2



El. Compartment Cover KEY

Shaft Lid Lock KEY

x1



COP KEY

x1



Power Cable for Installation

x1



Wired Remote Control

x1



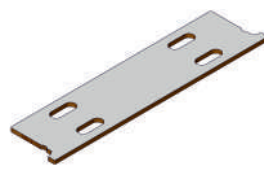
Cable USB-A to USB-C

x2



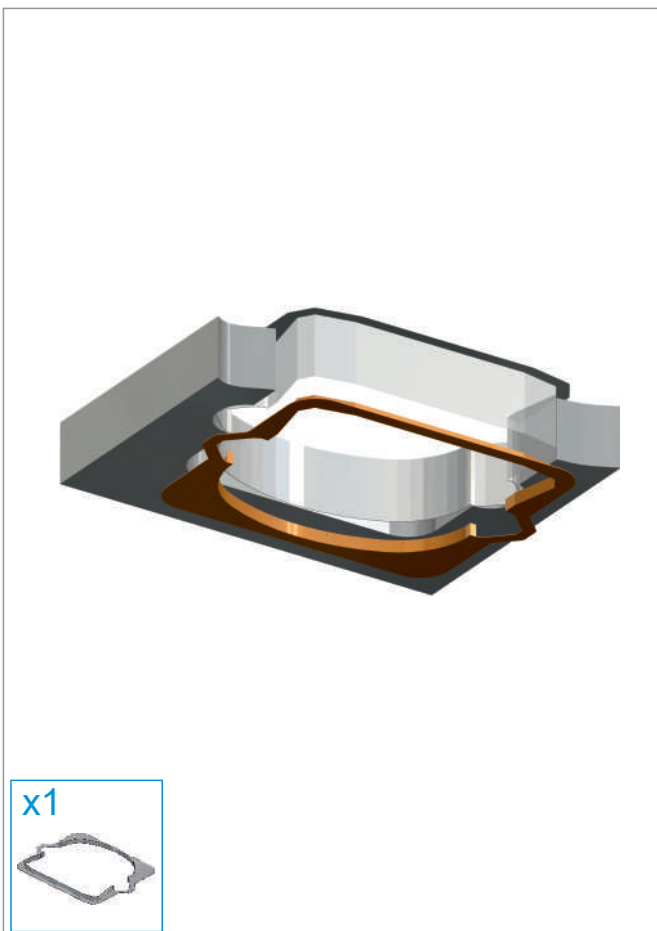
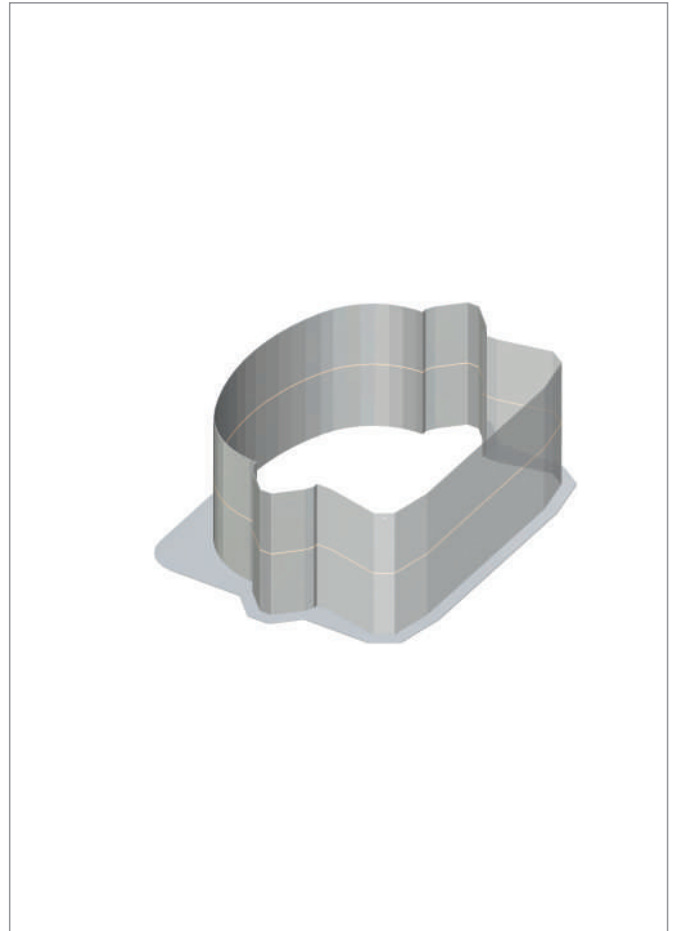
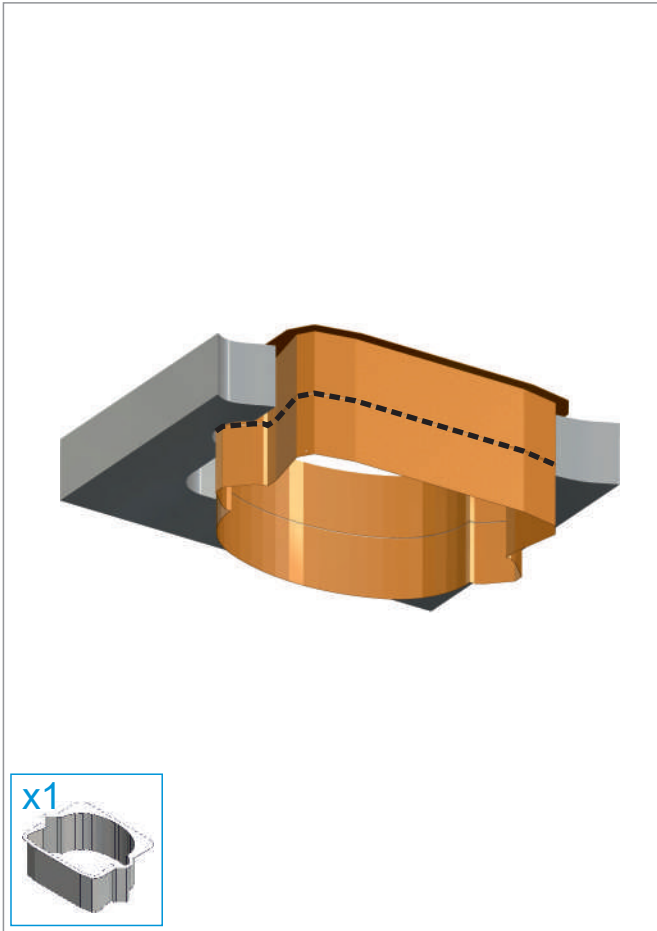
Central Panel Montage Tool

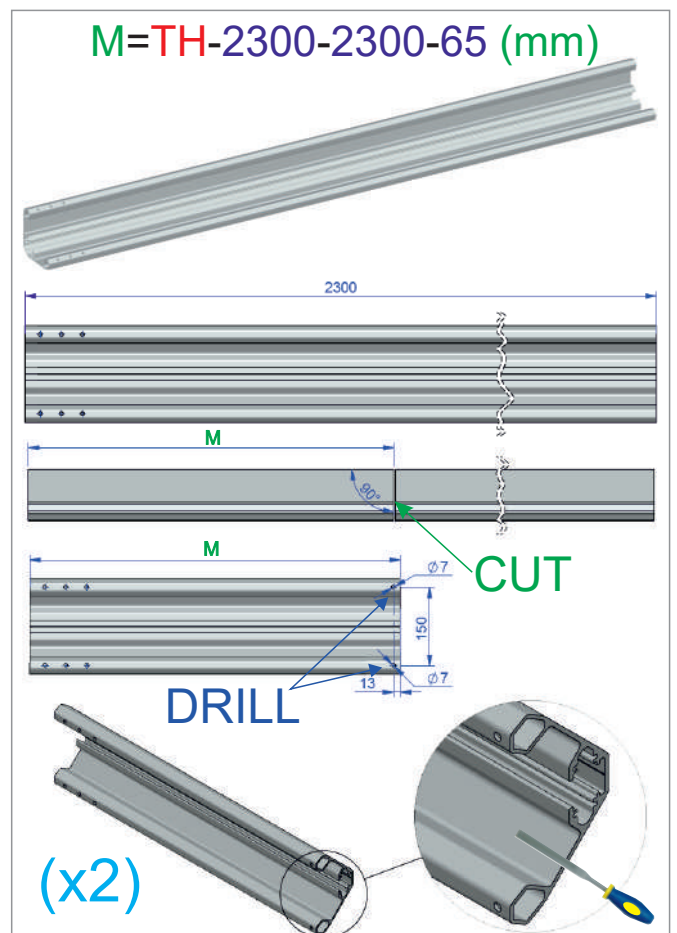
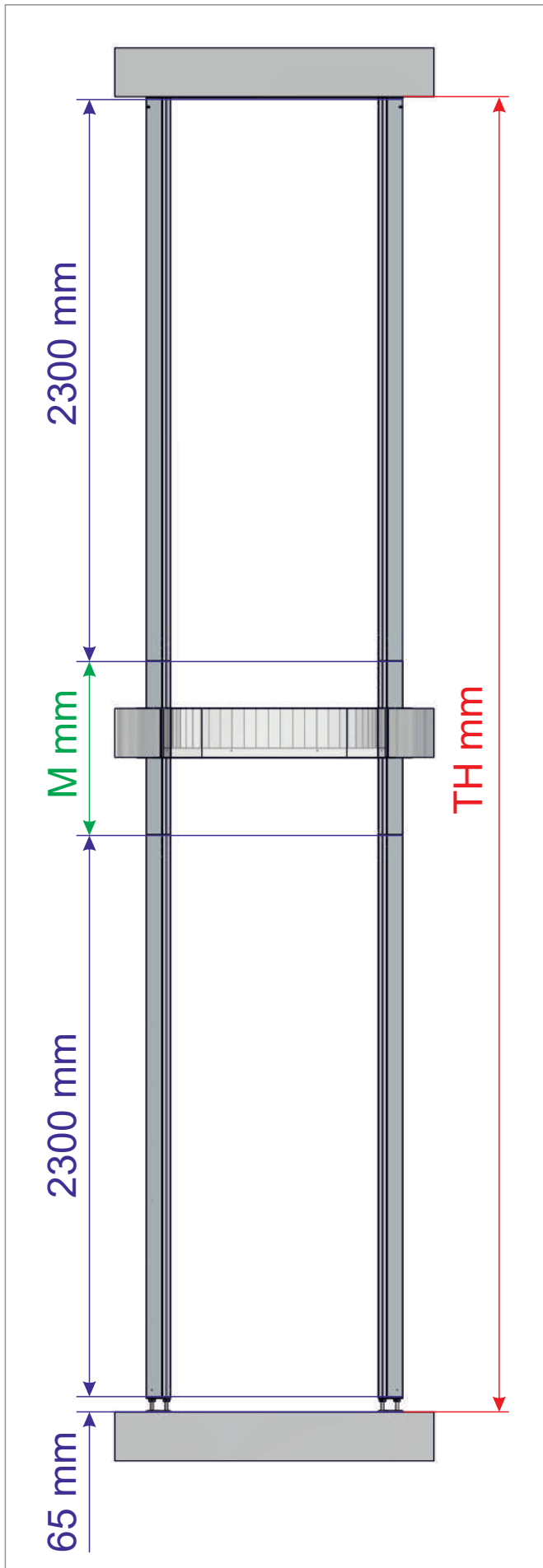
x1



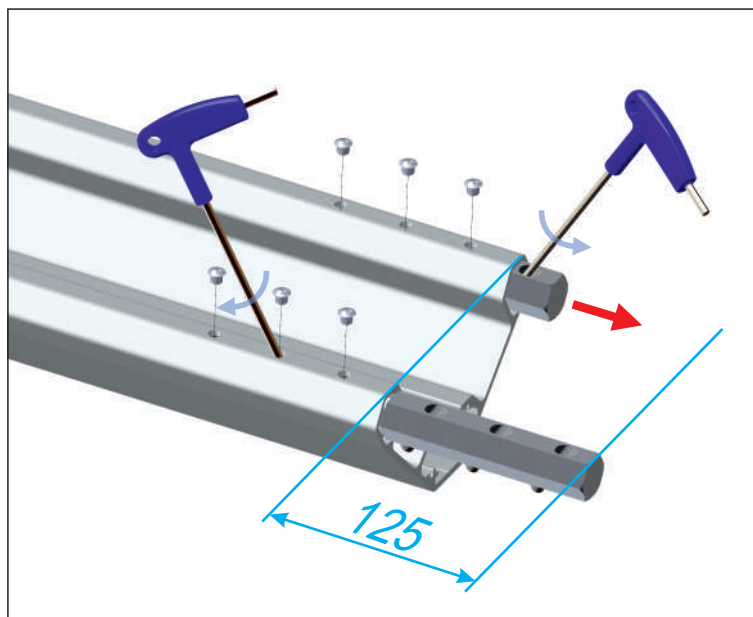
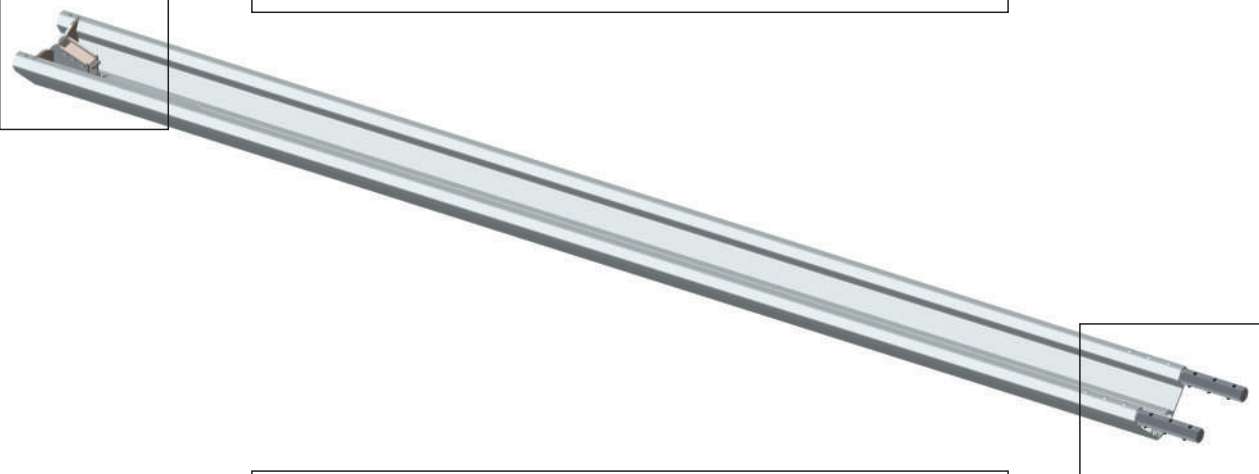
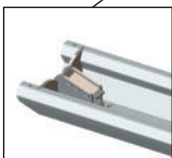
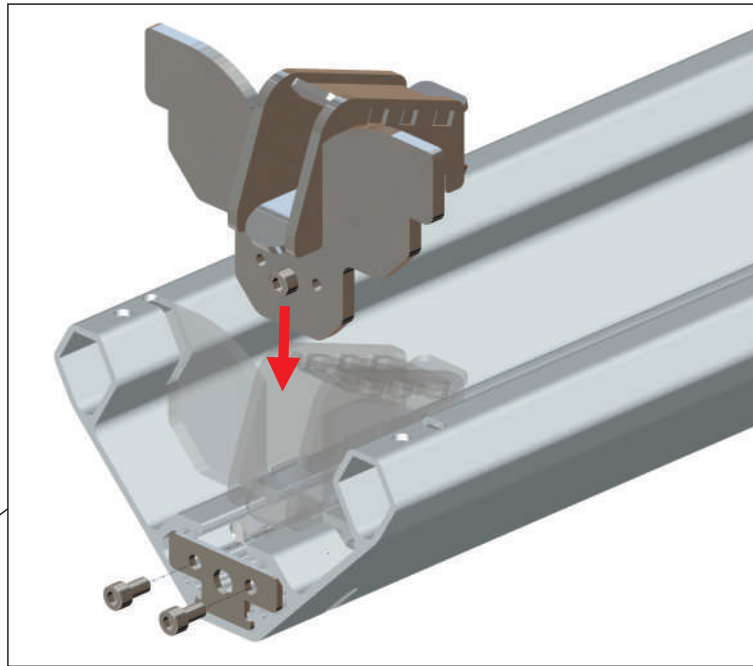
Guide Rail Montage Spacer

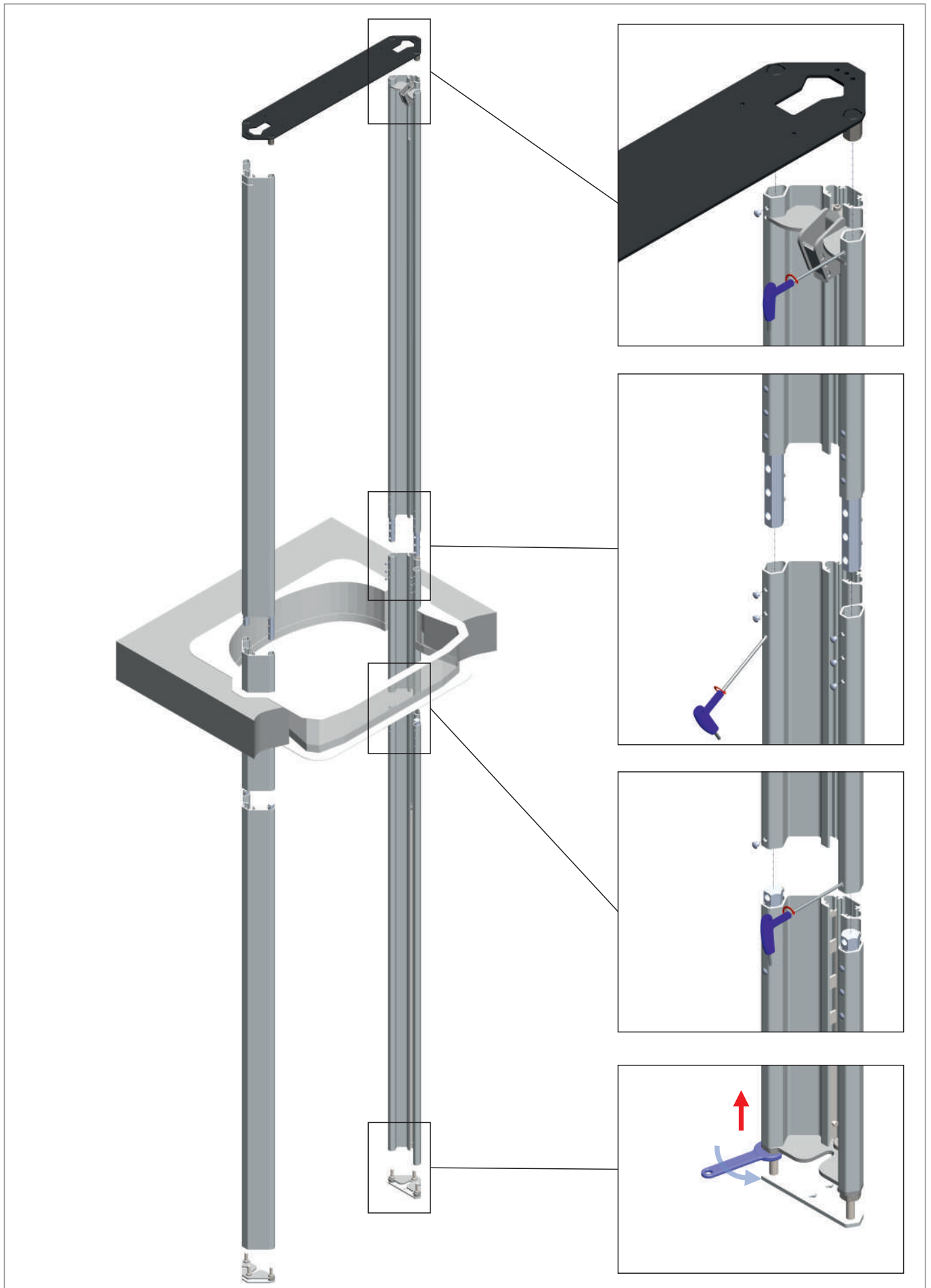


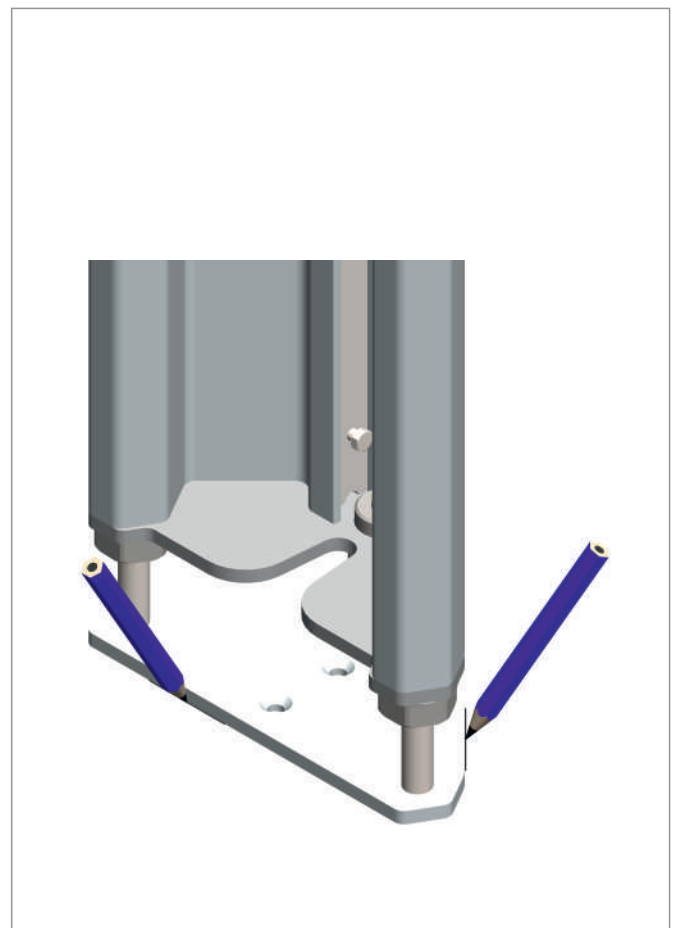
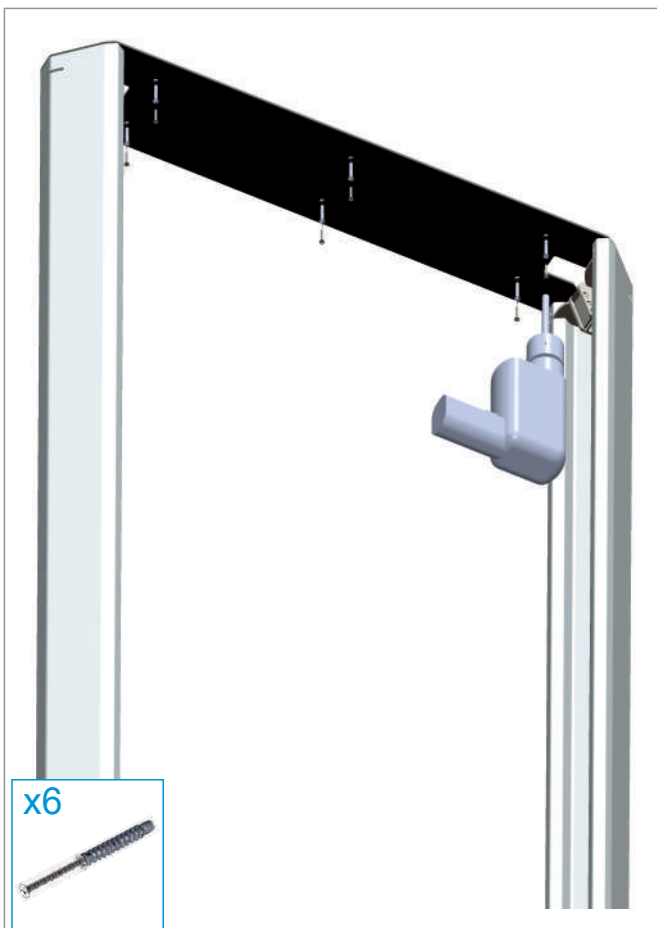
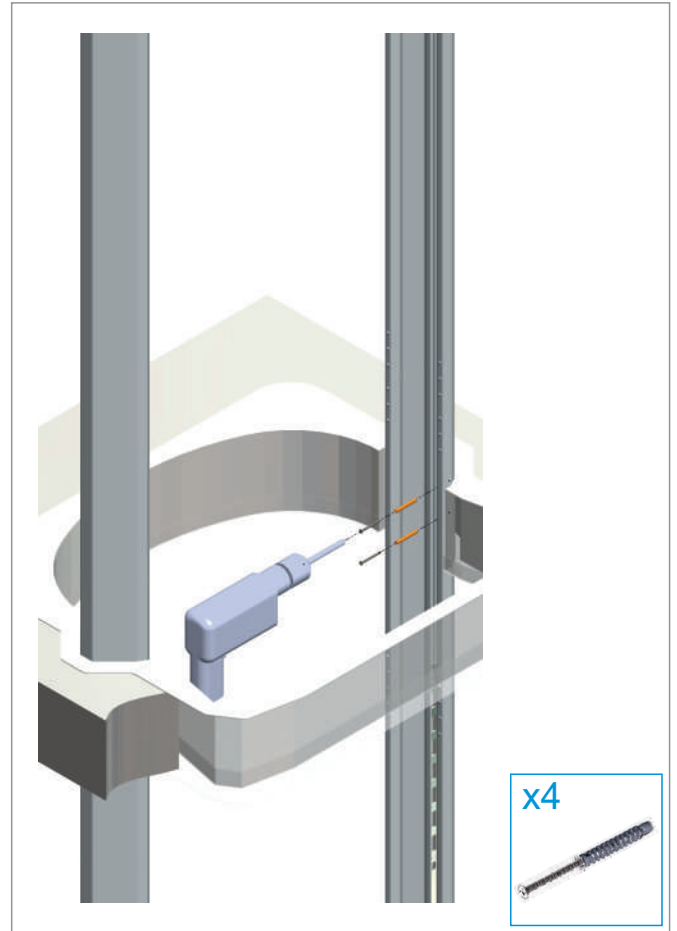
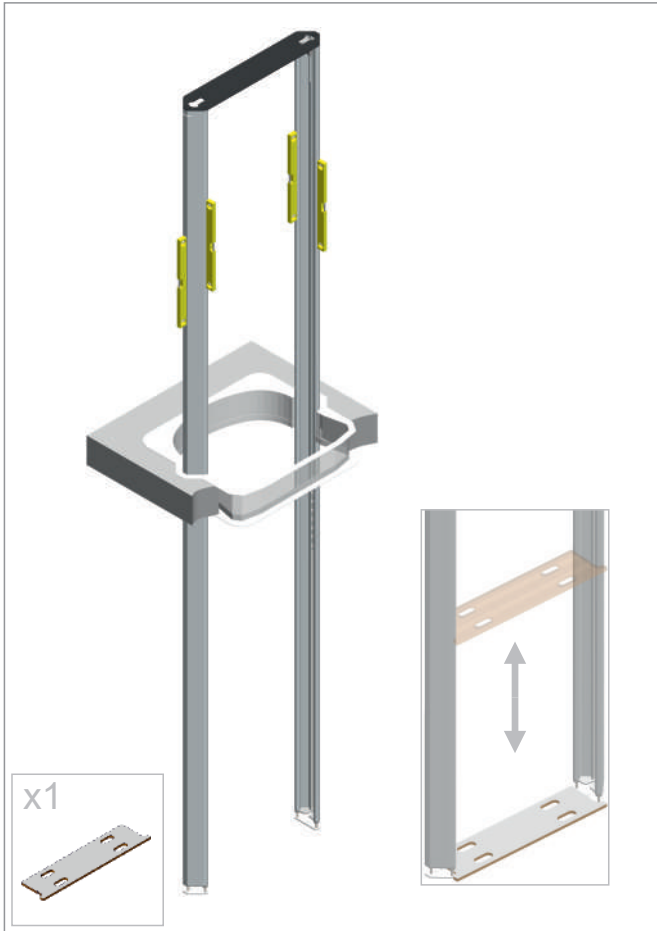


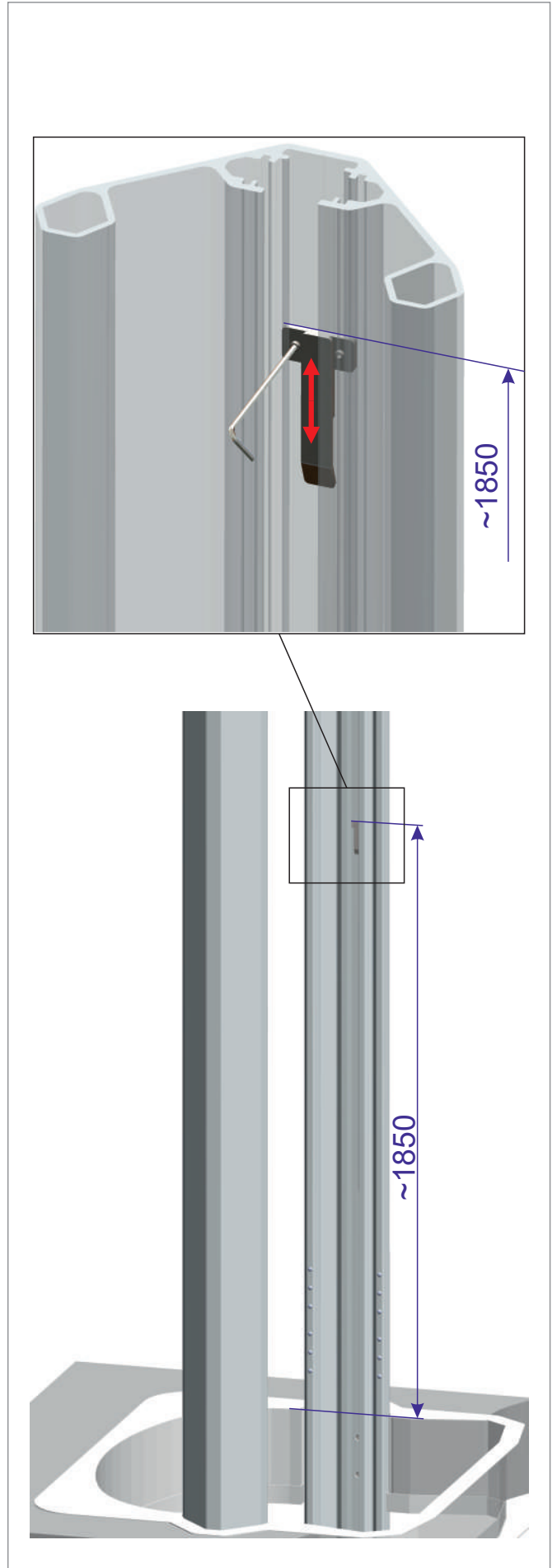
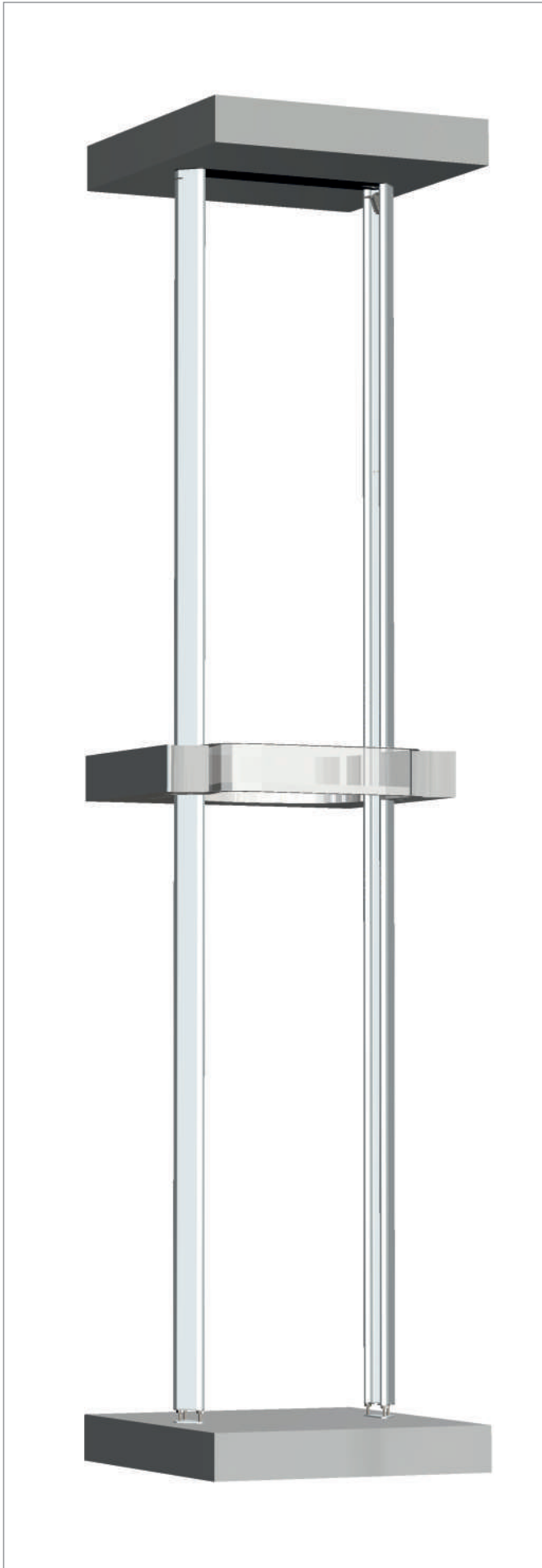


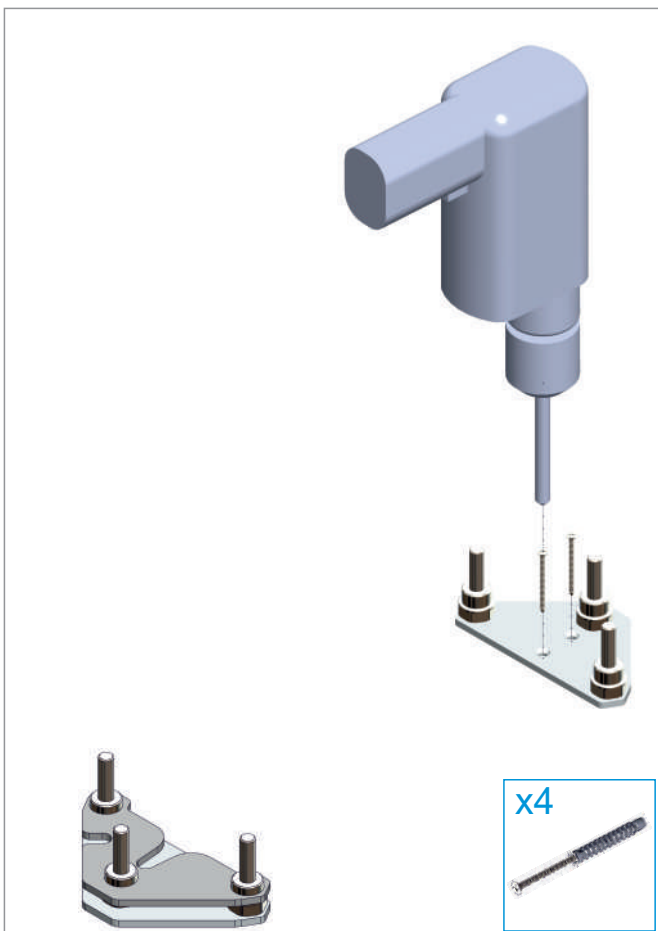
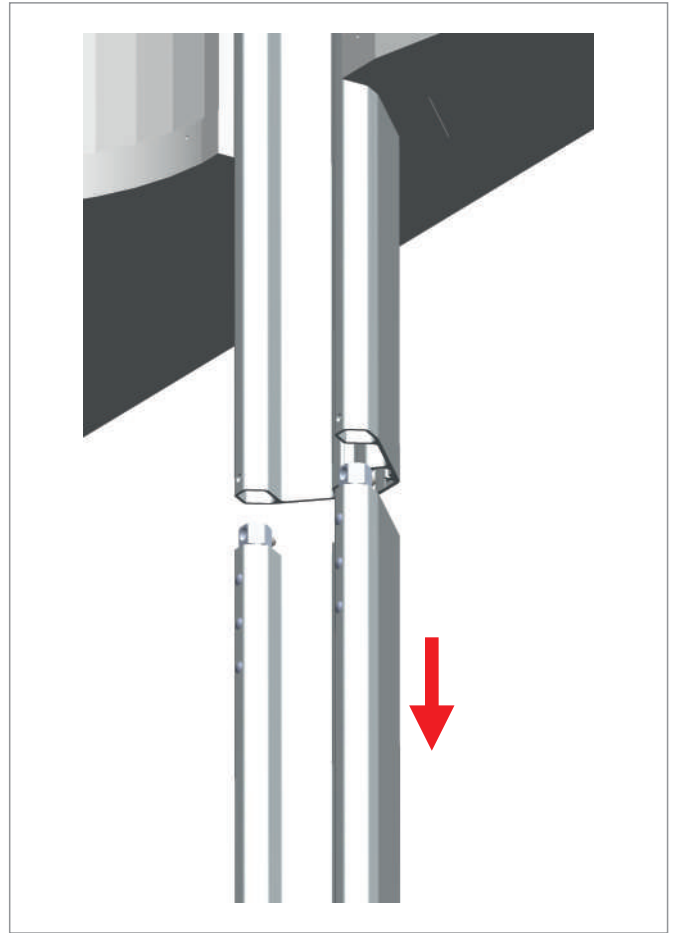
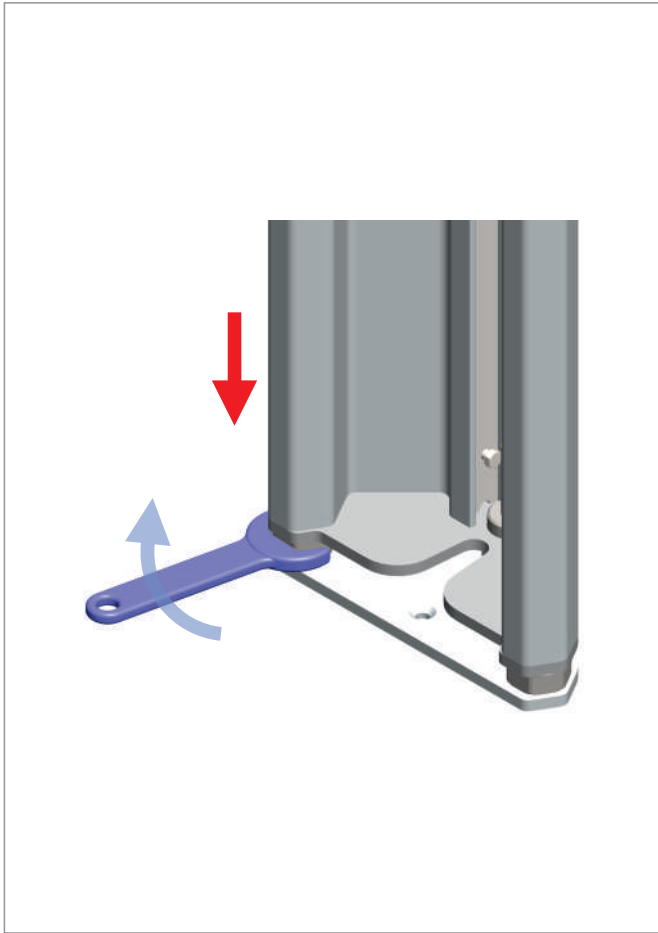
Top Guide Rails

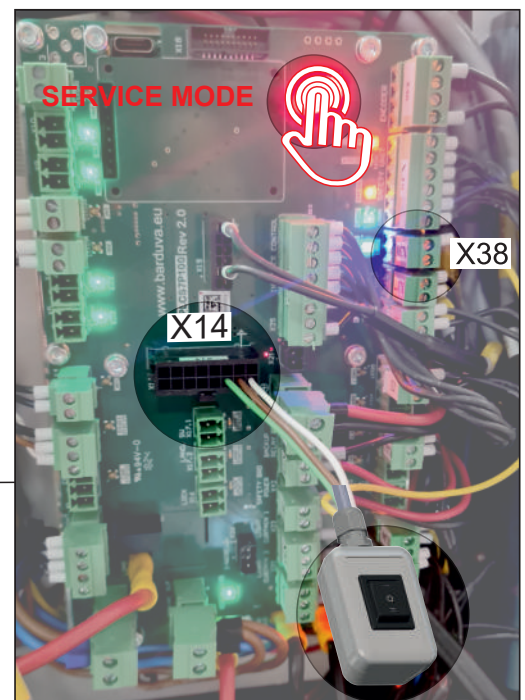
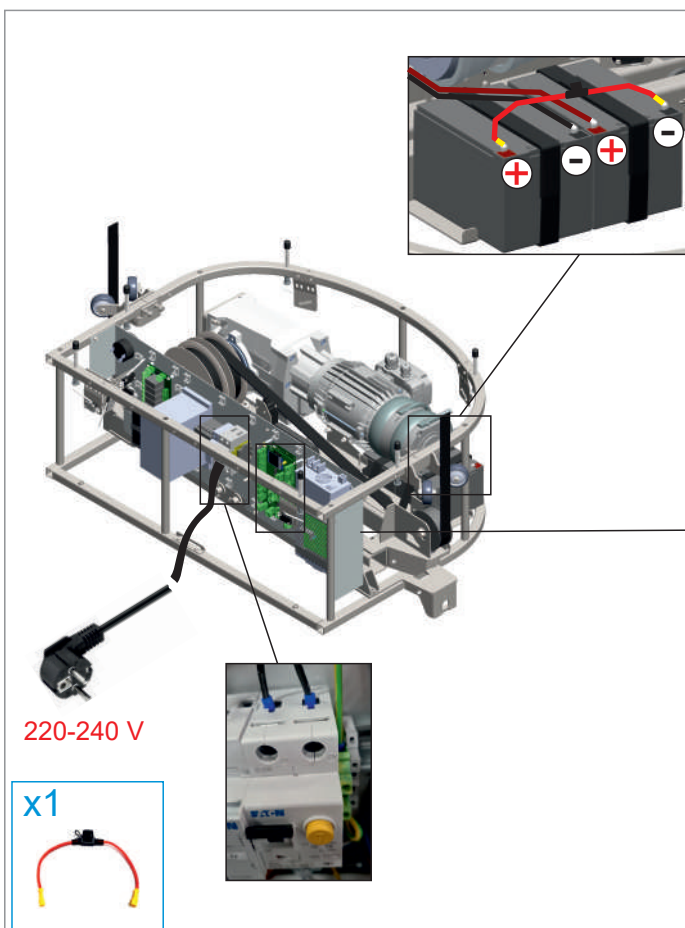
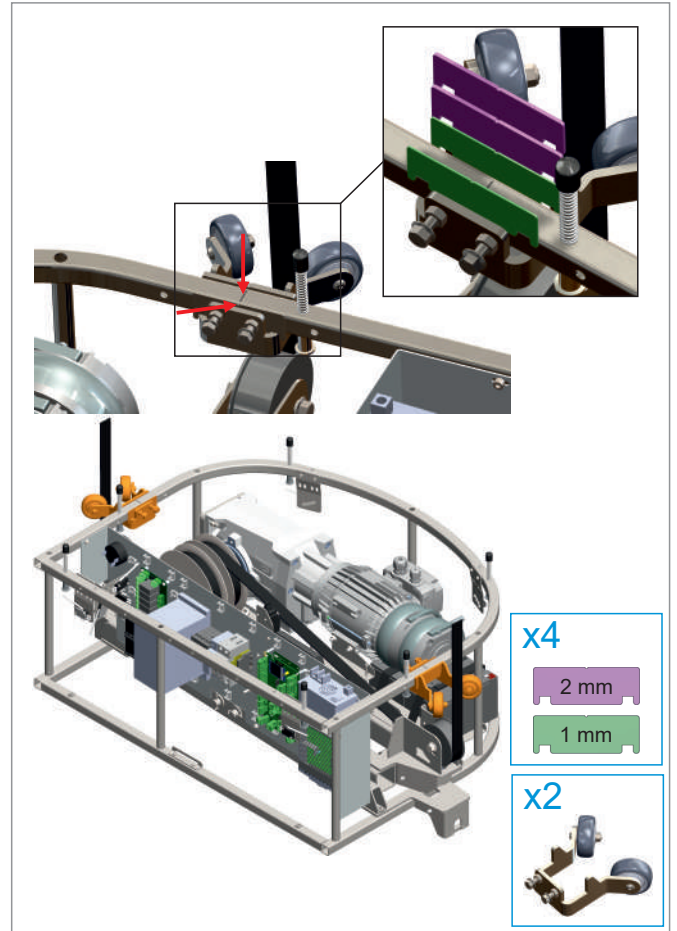
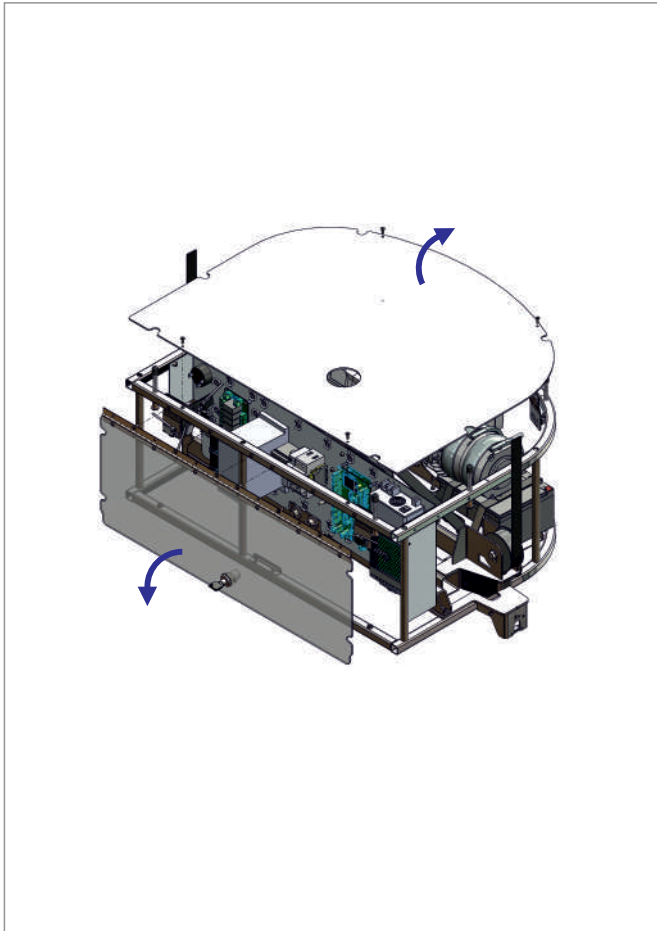


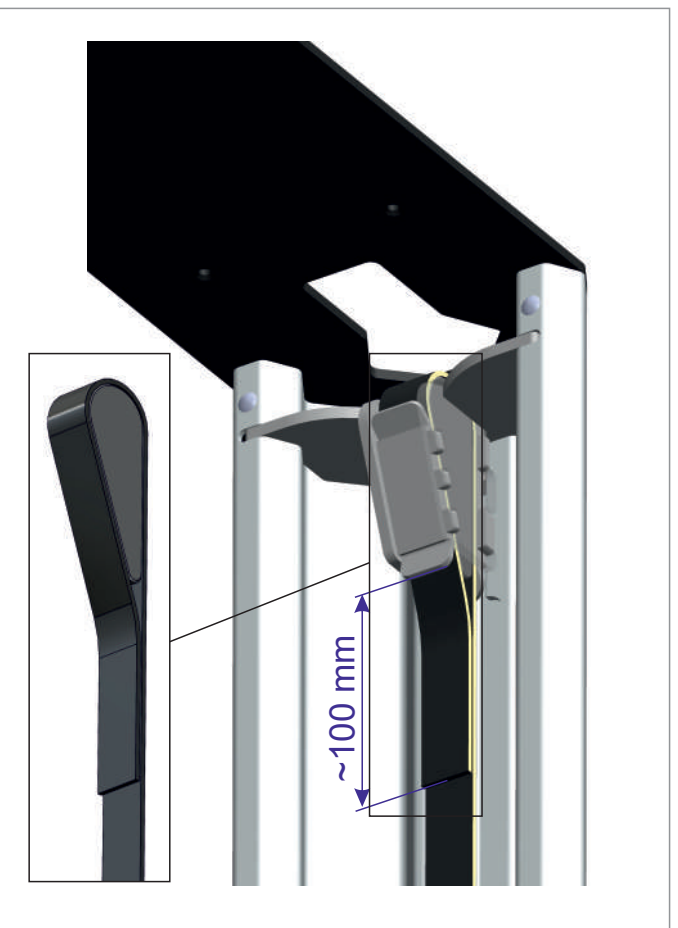
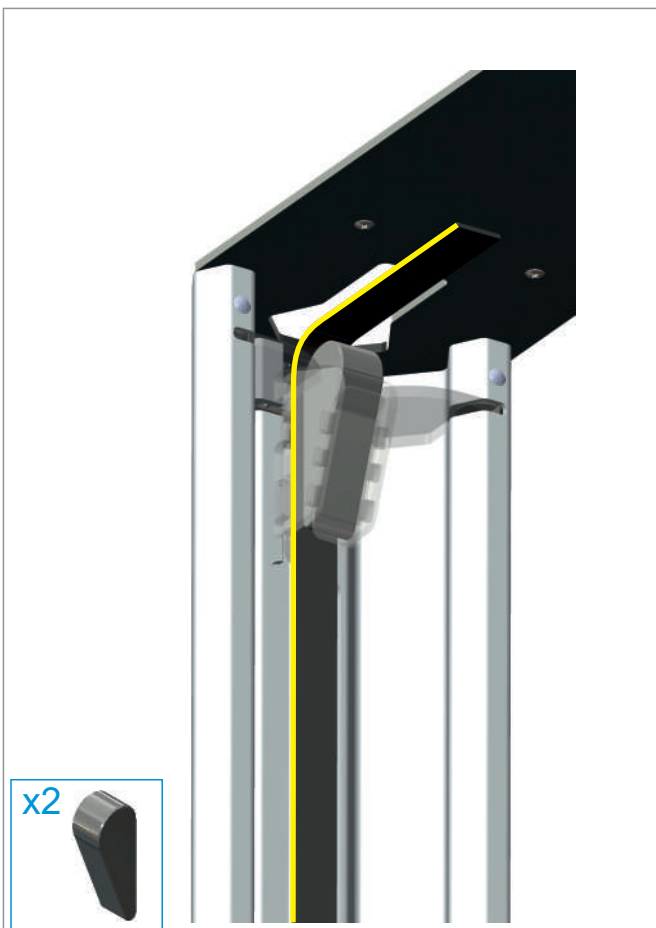
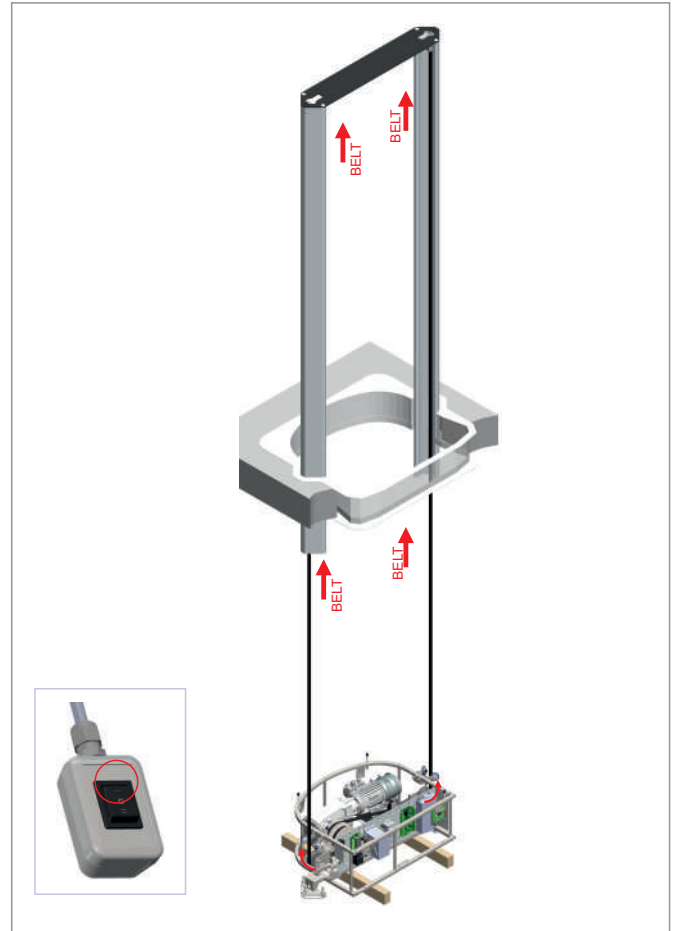


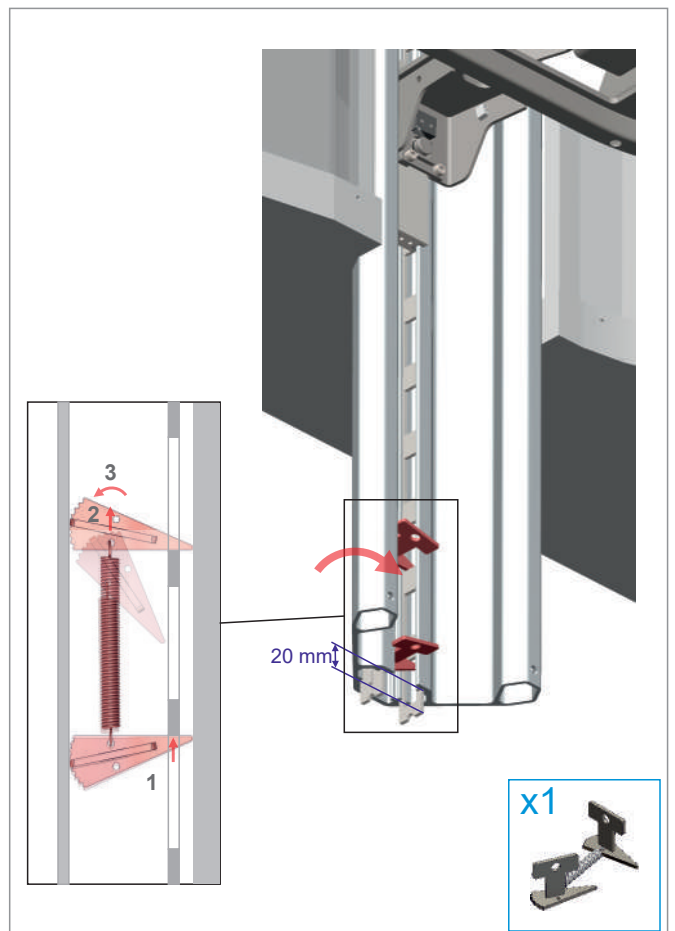
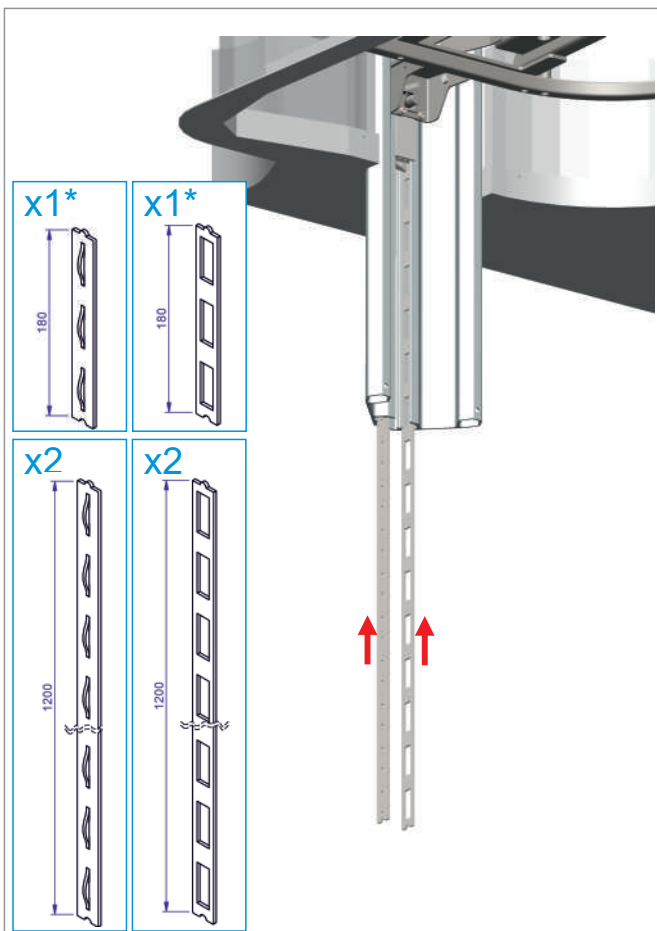
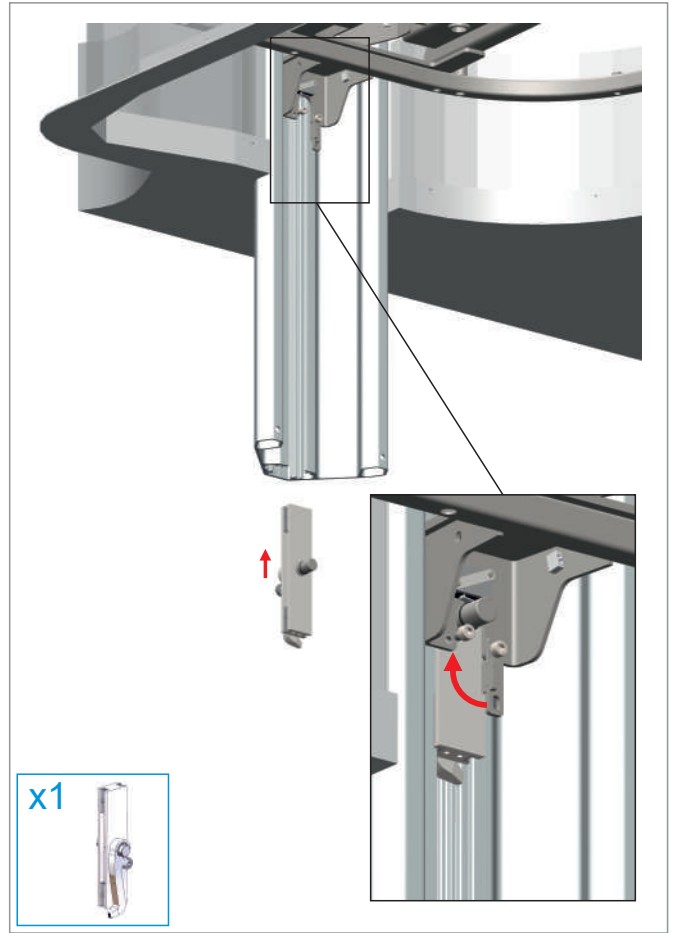
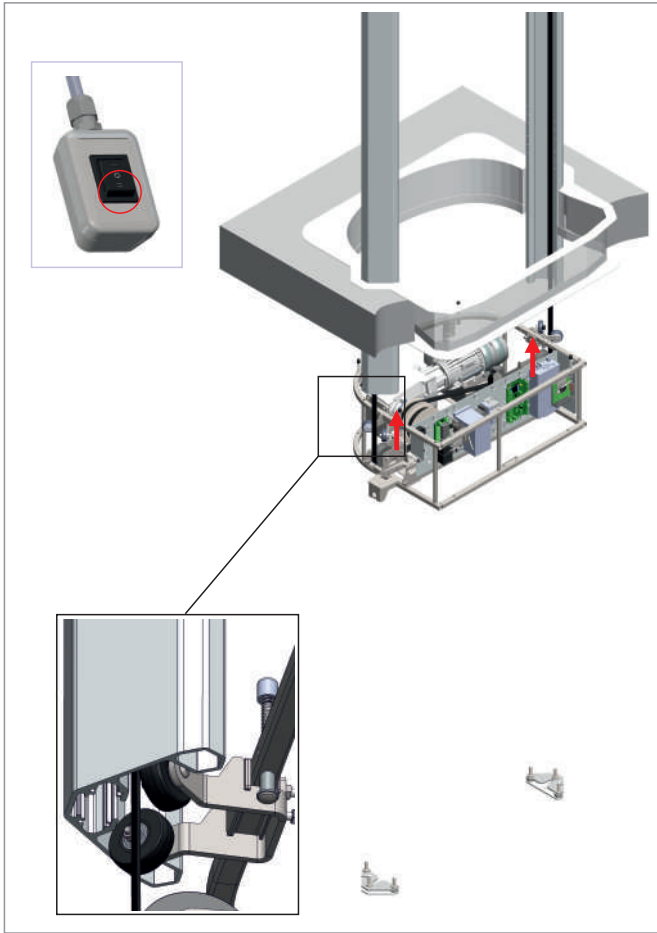


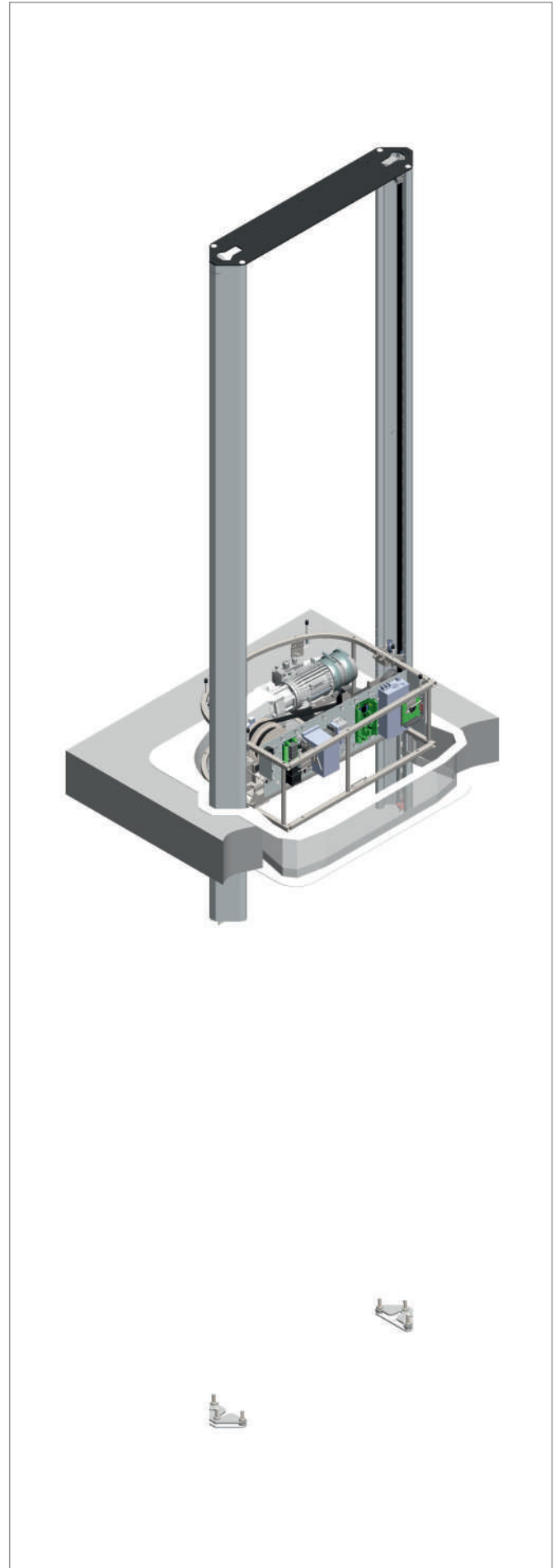
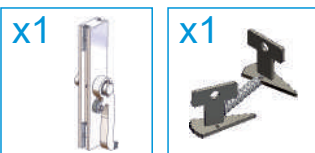
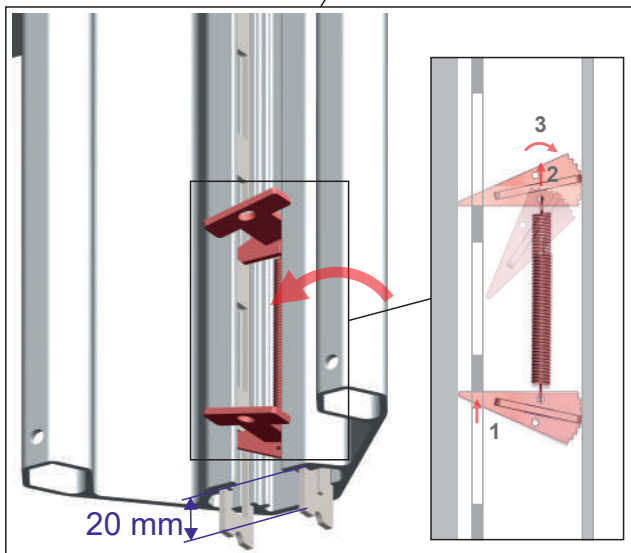
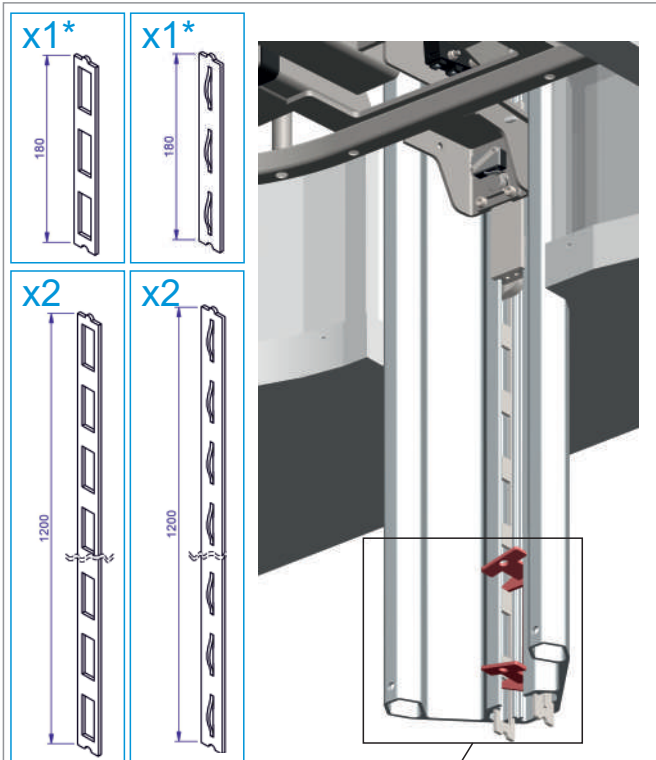






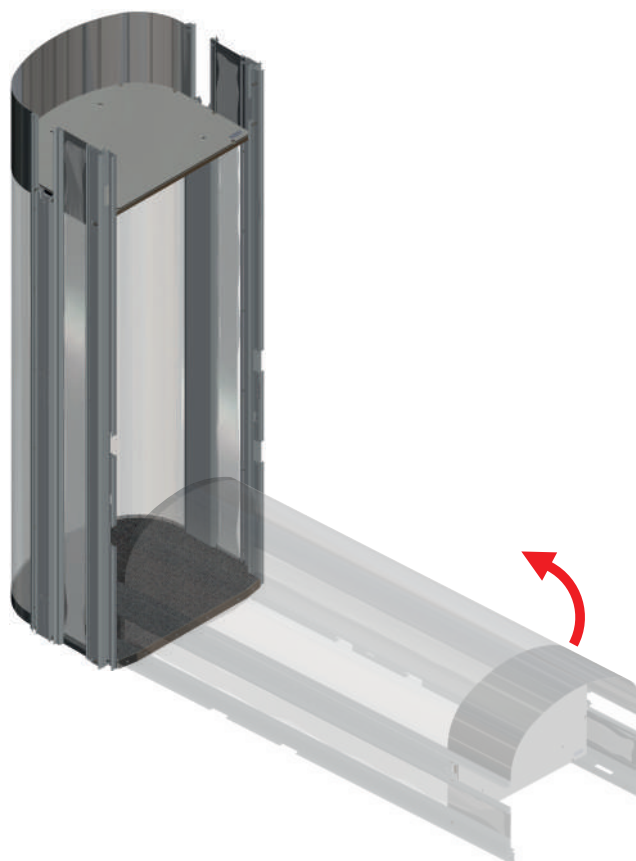


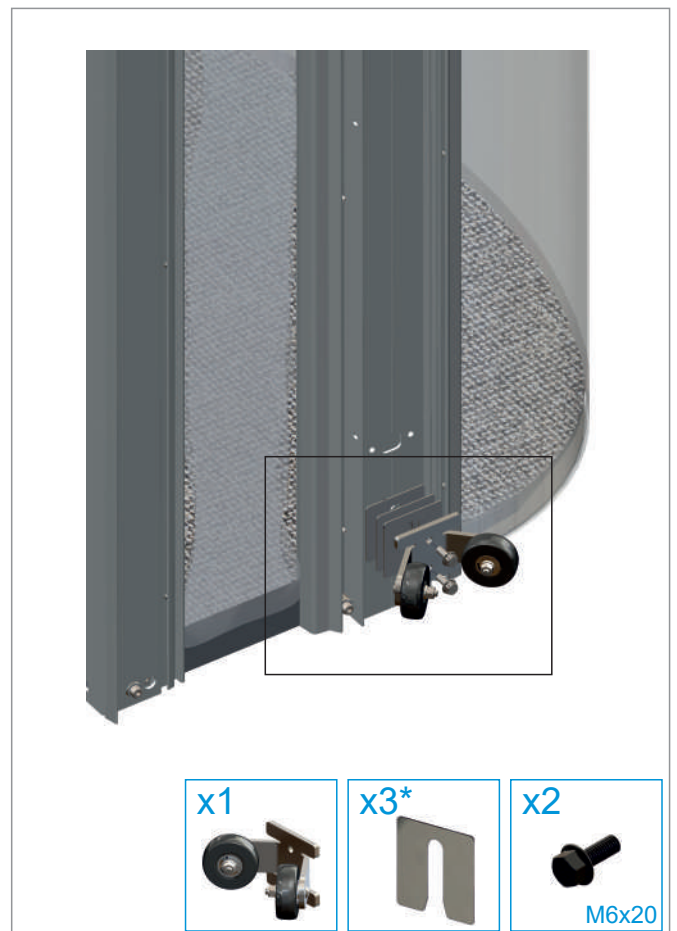
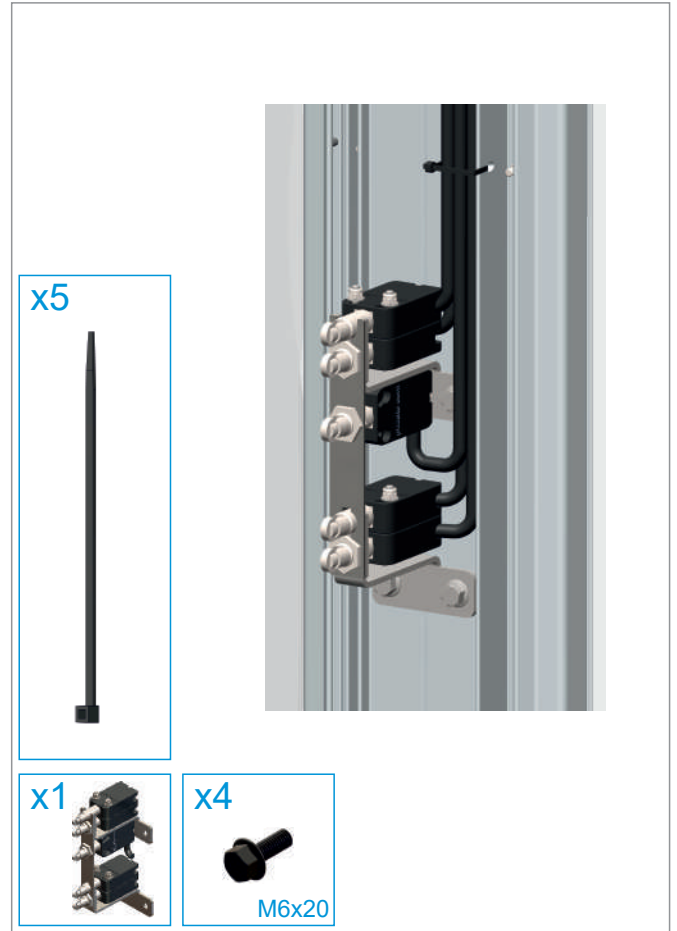
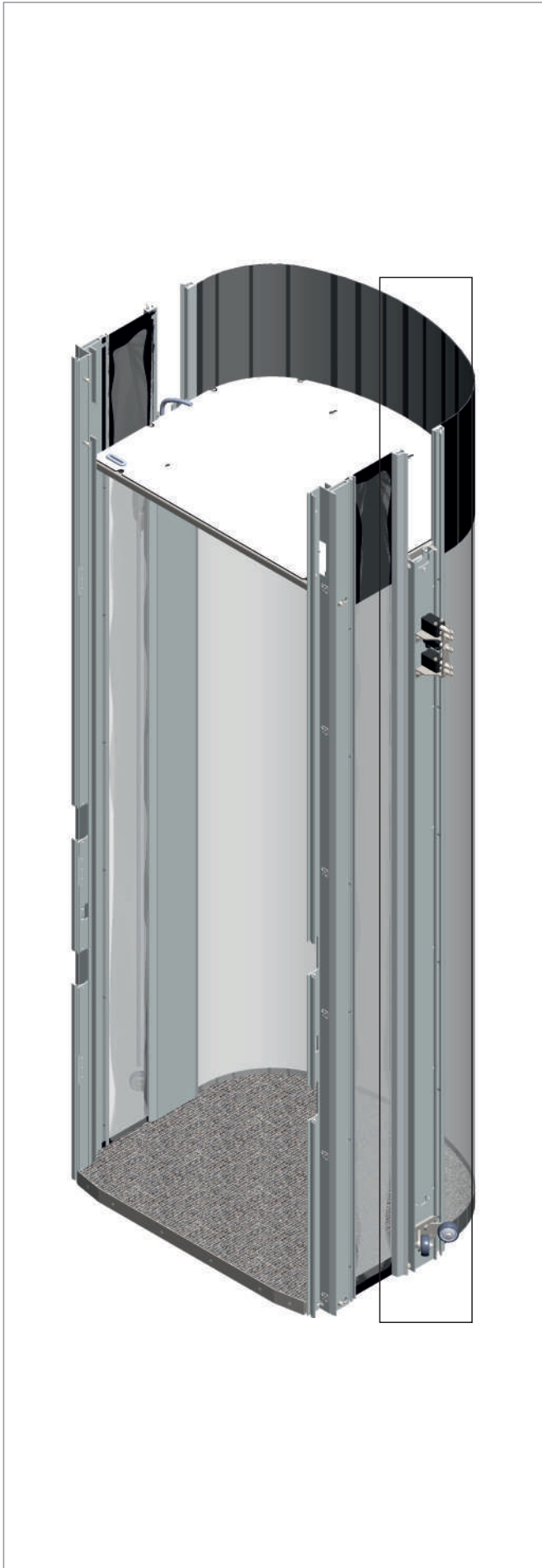


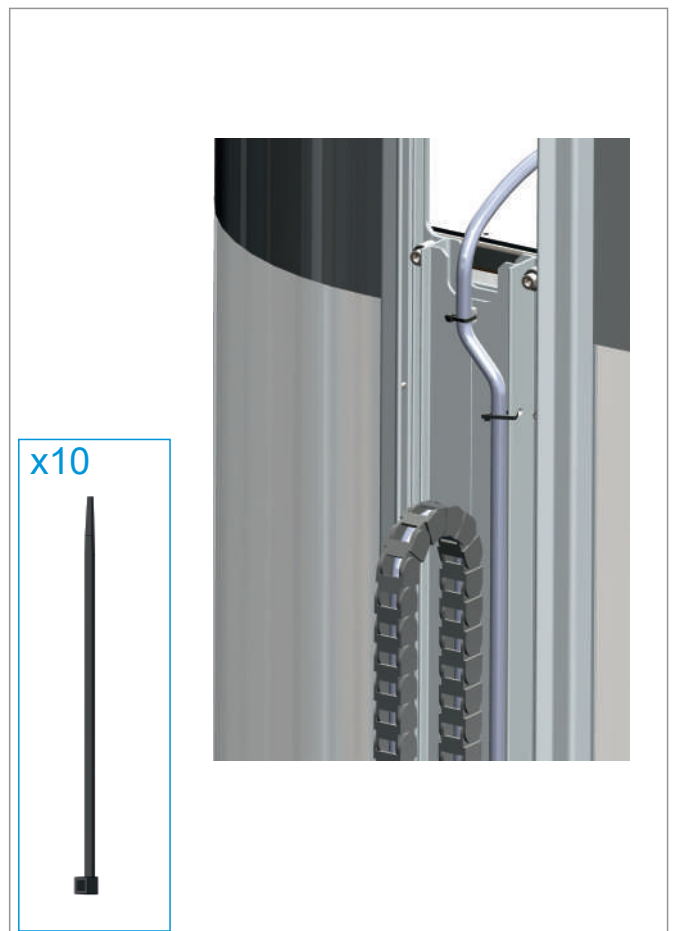
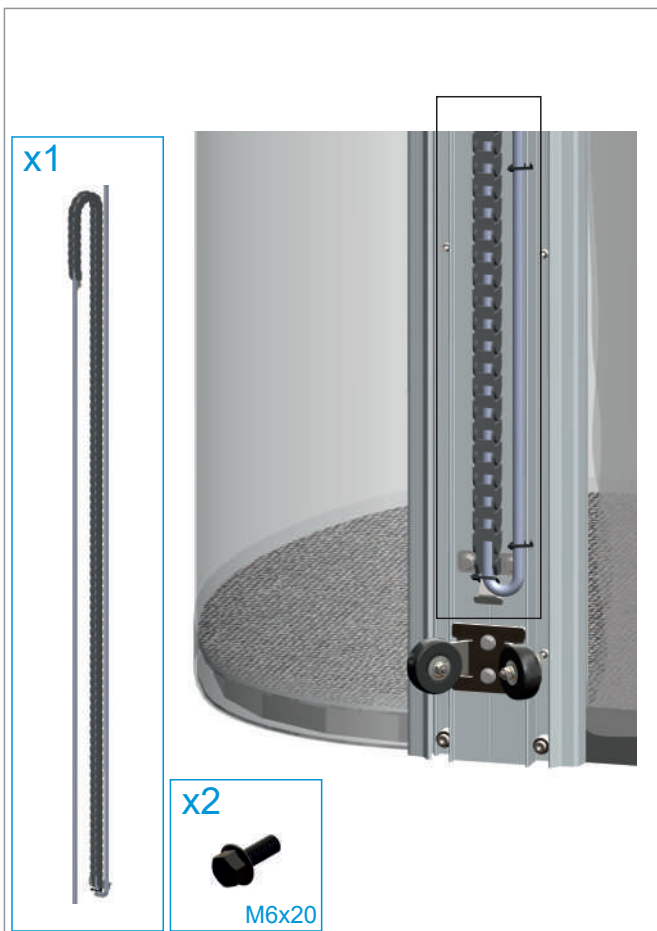
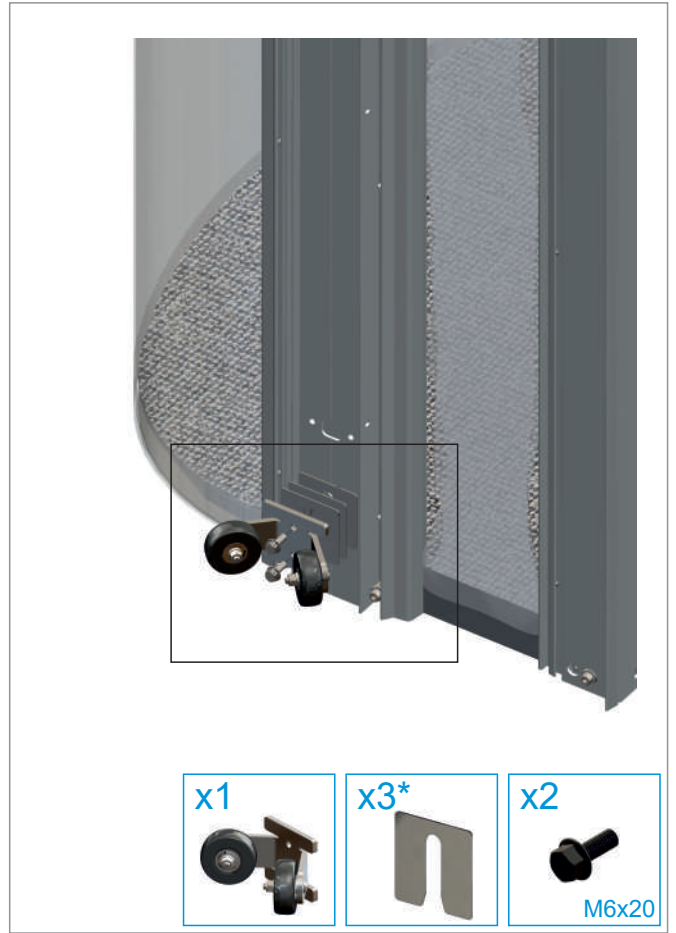
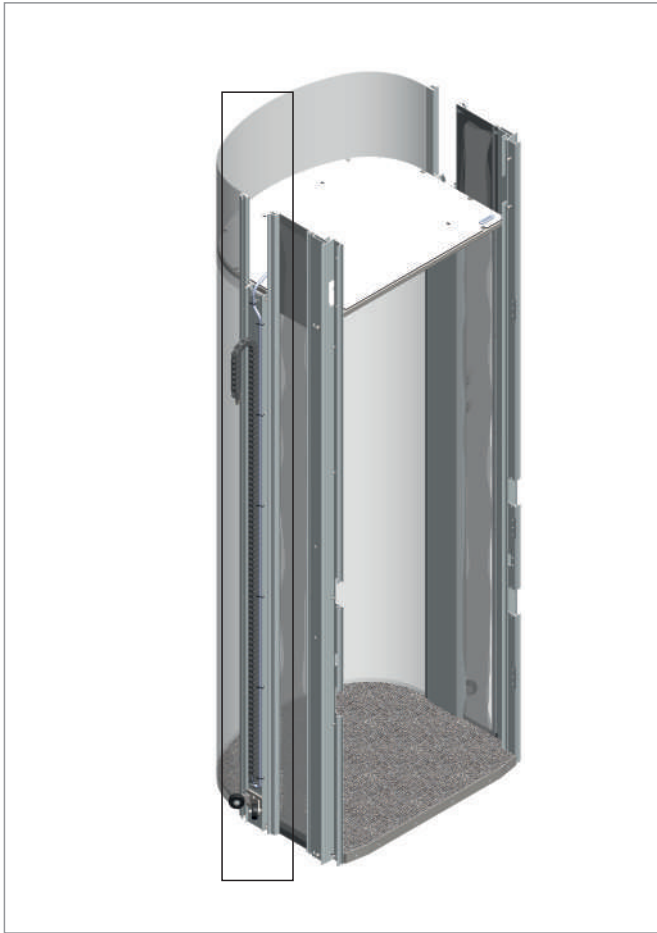


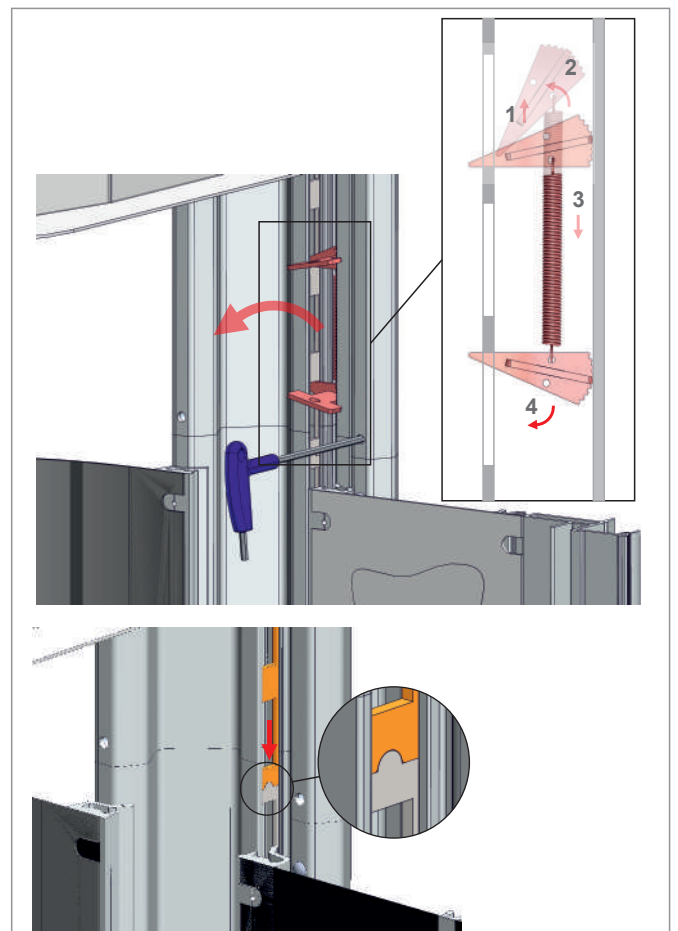
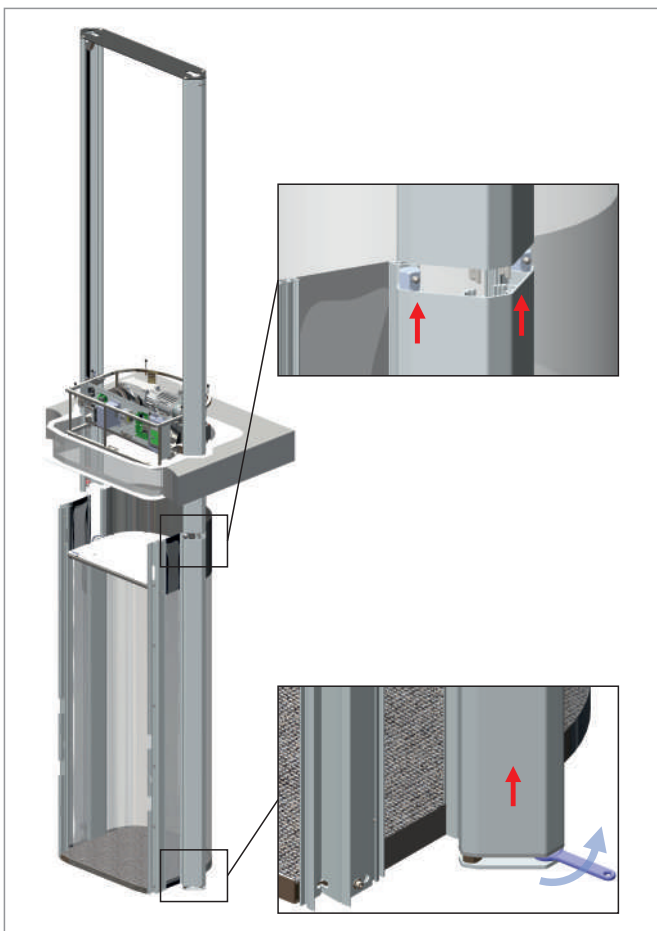
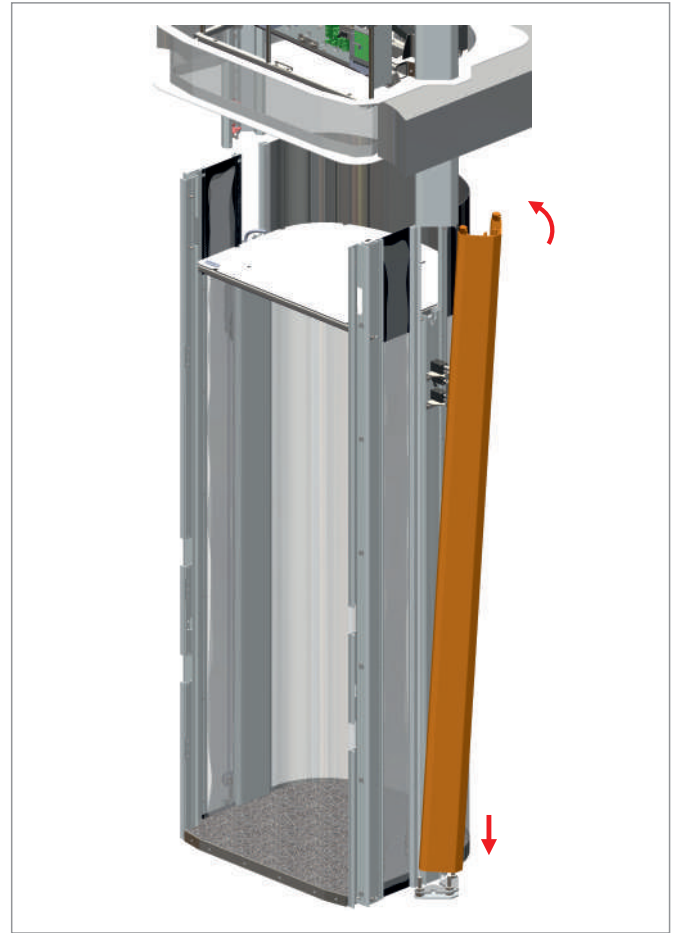
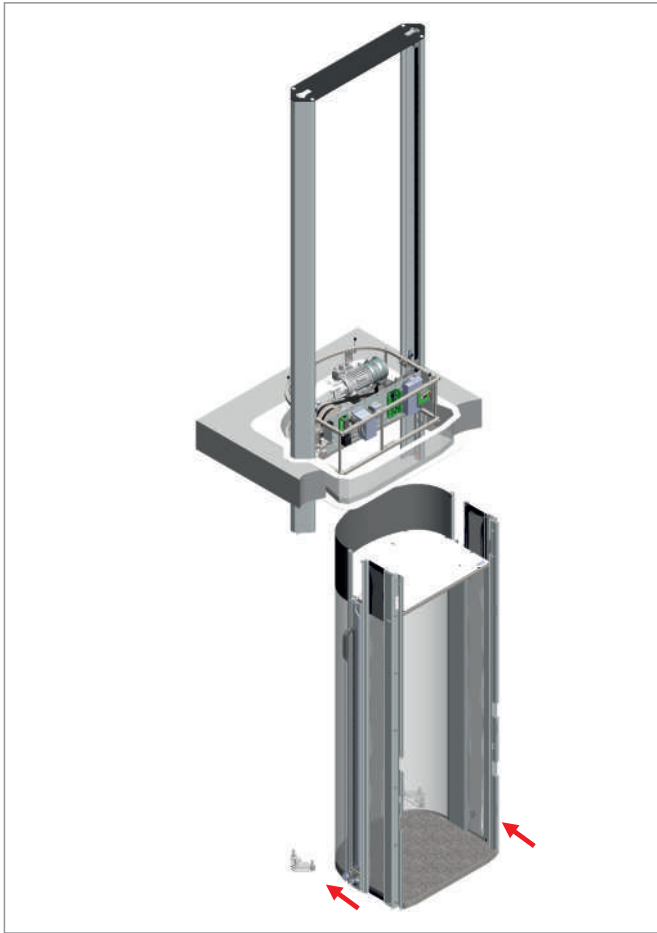


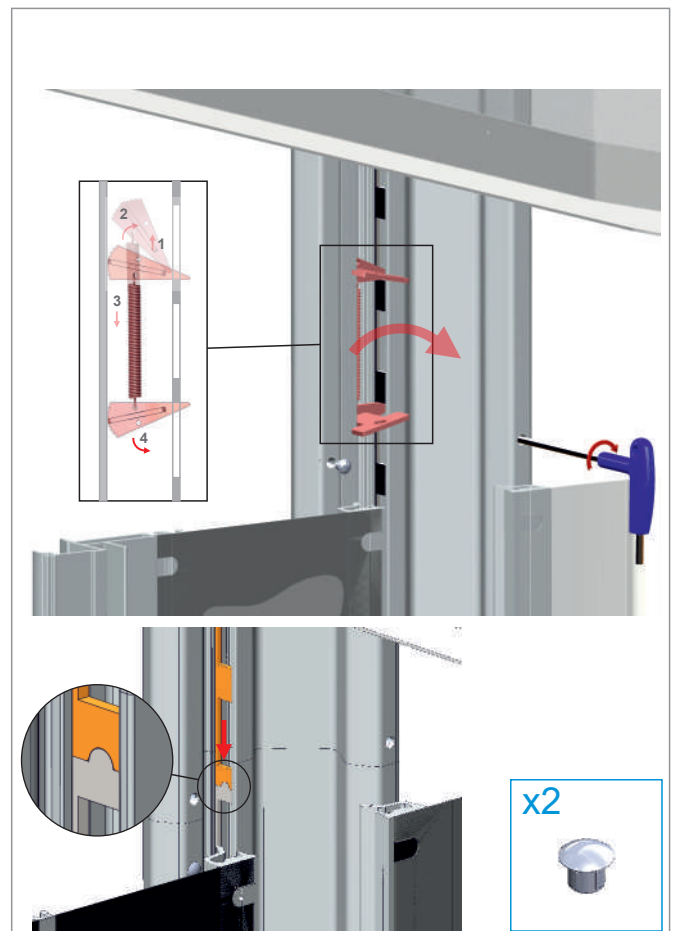
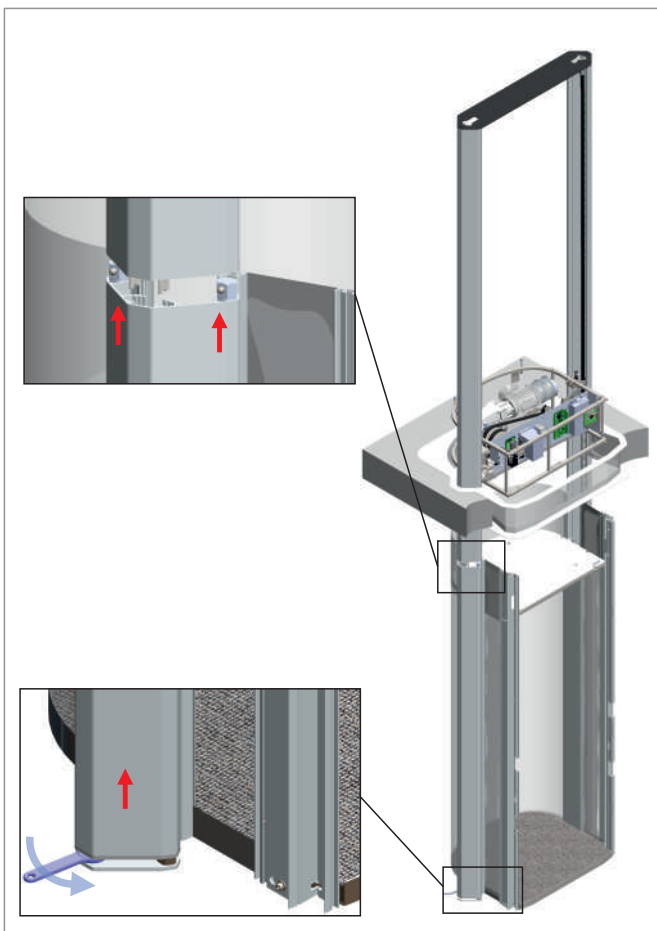
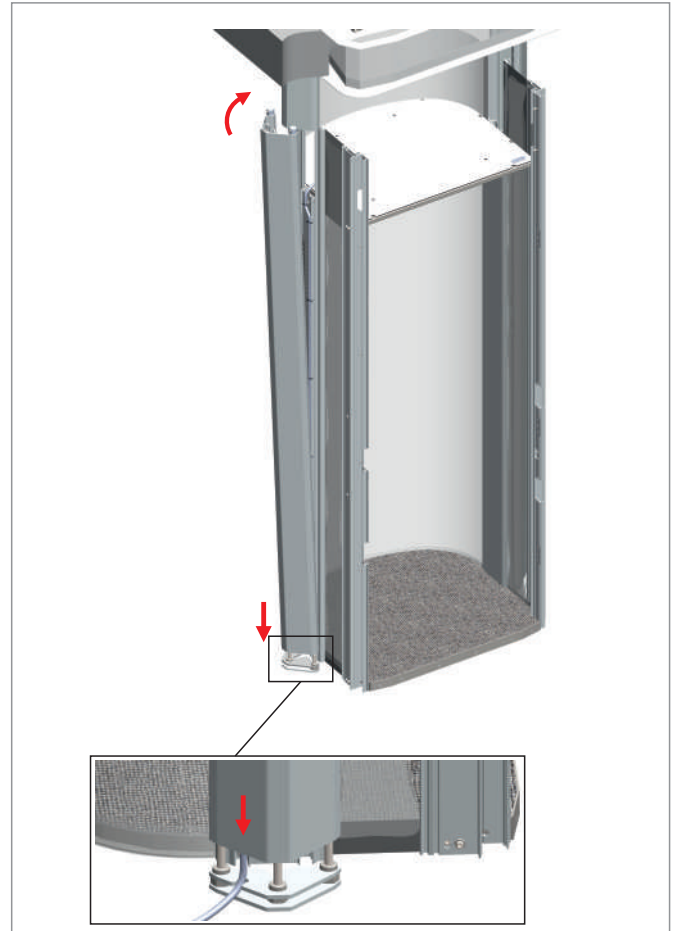
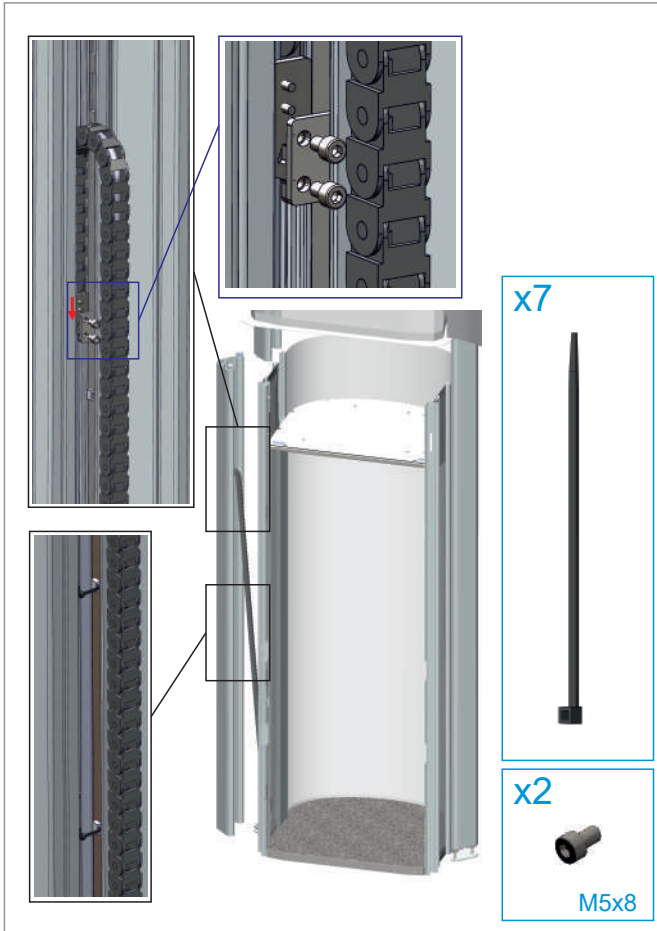
x4

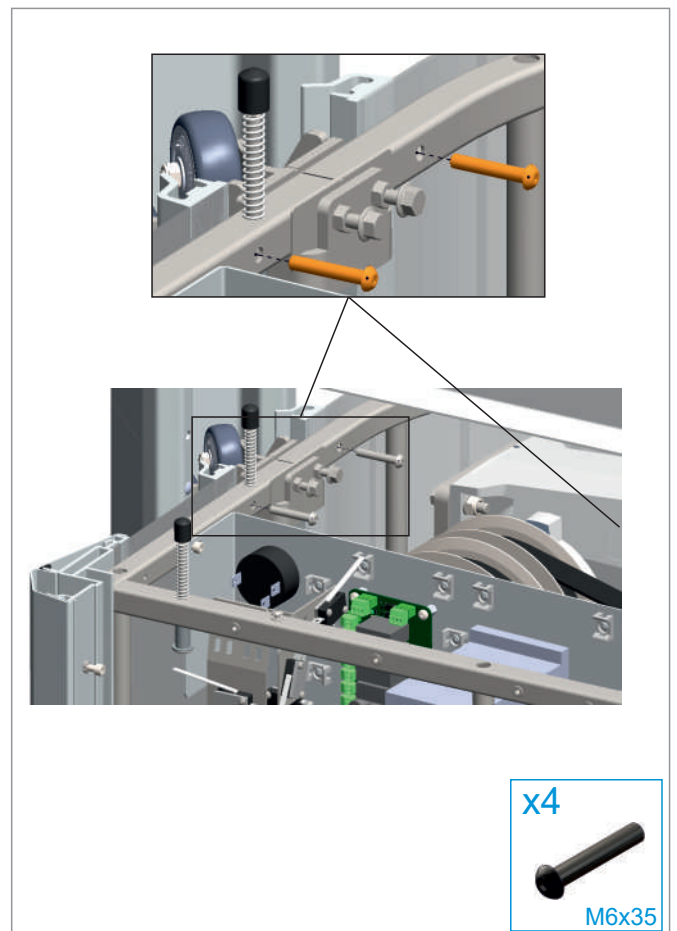
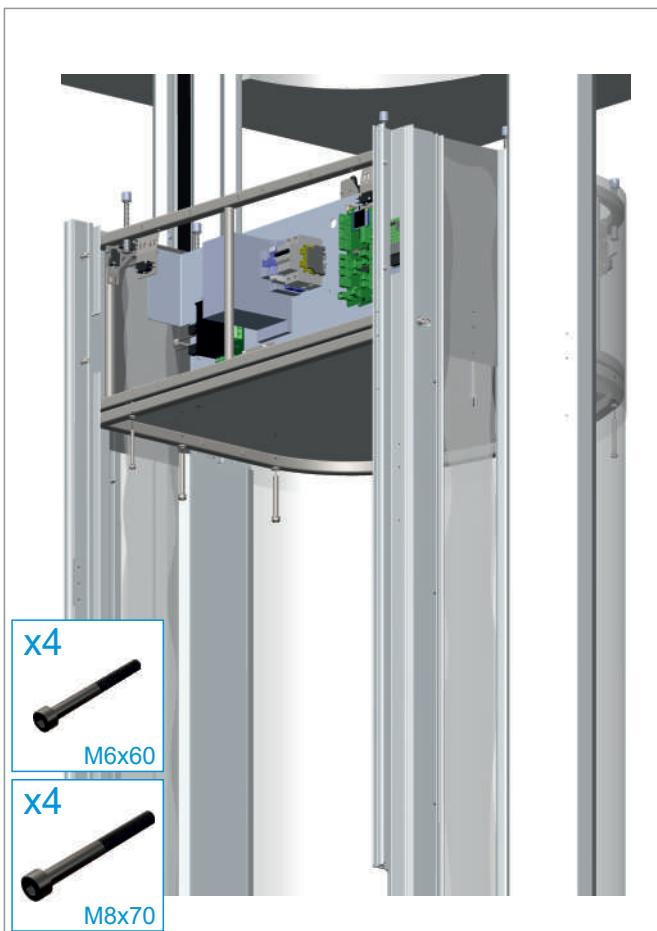
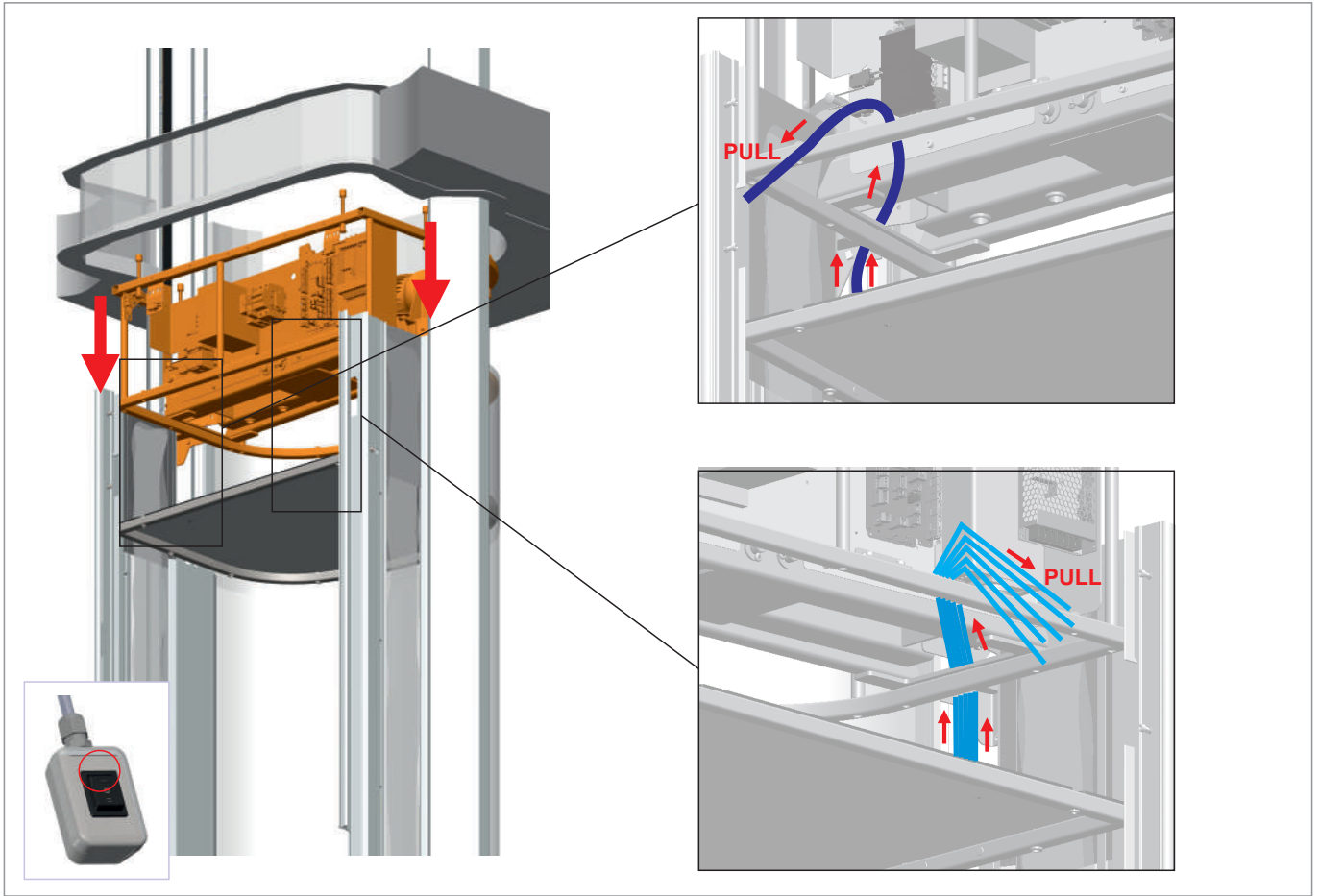


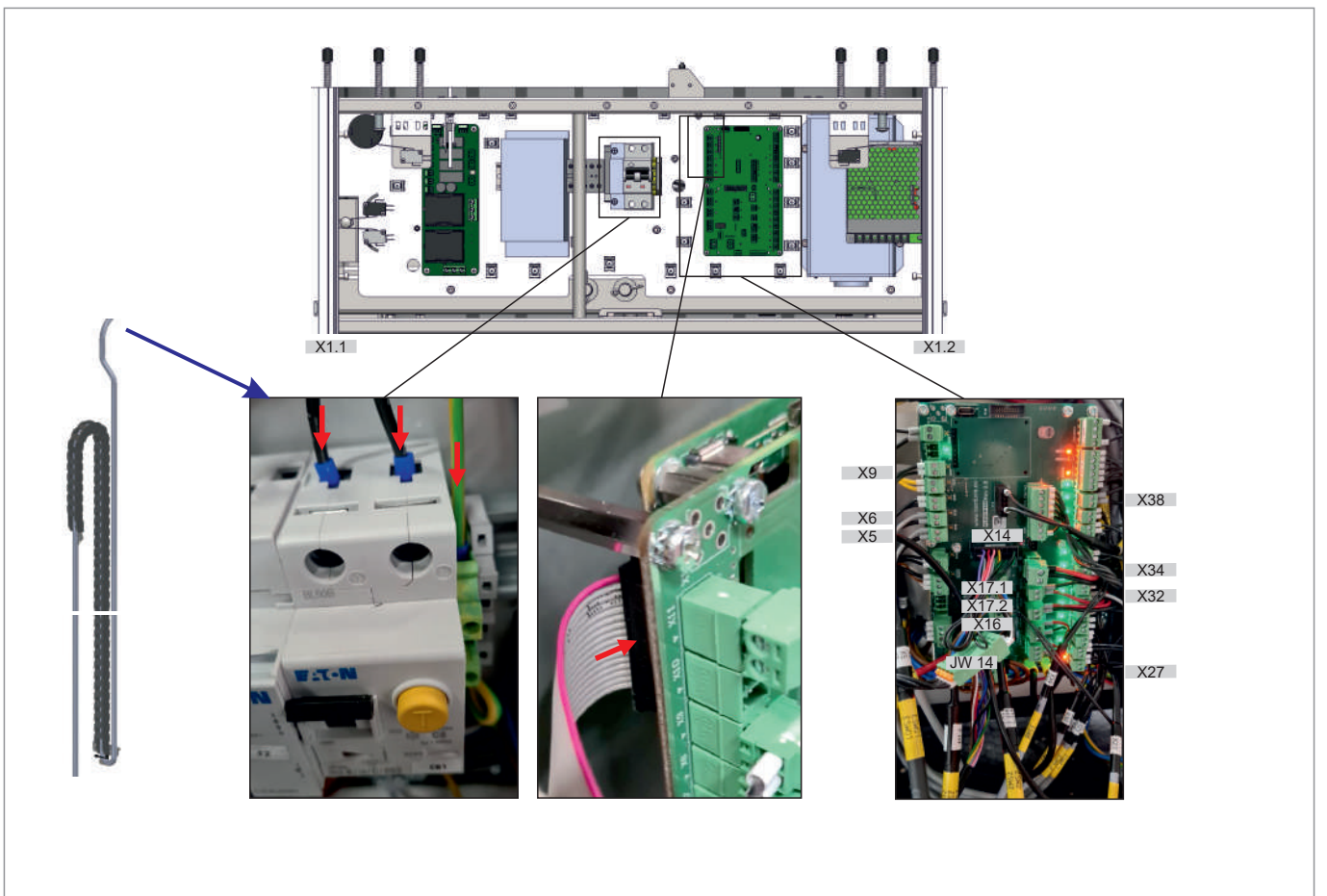
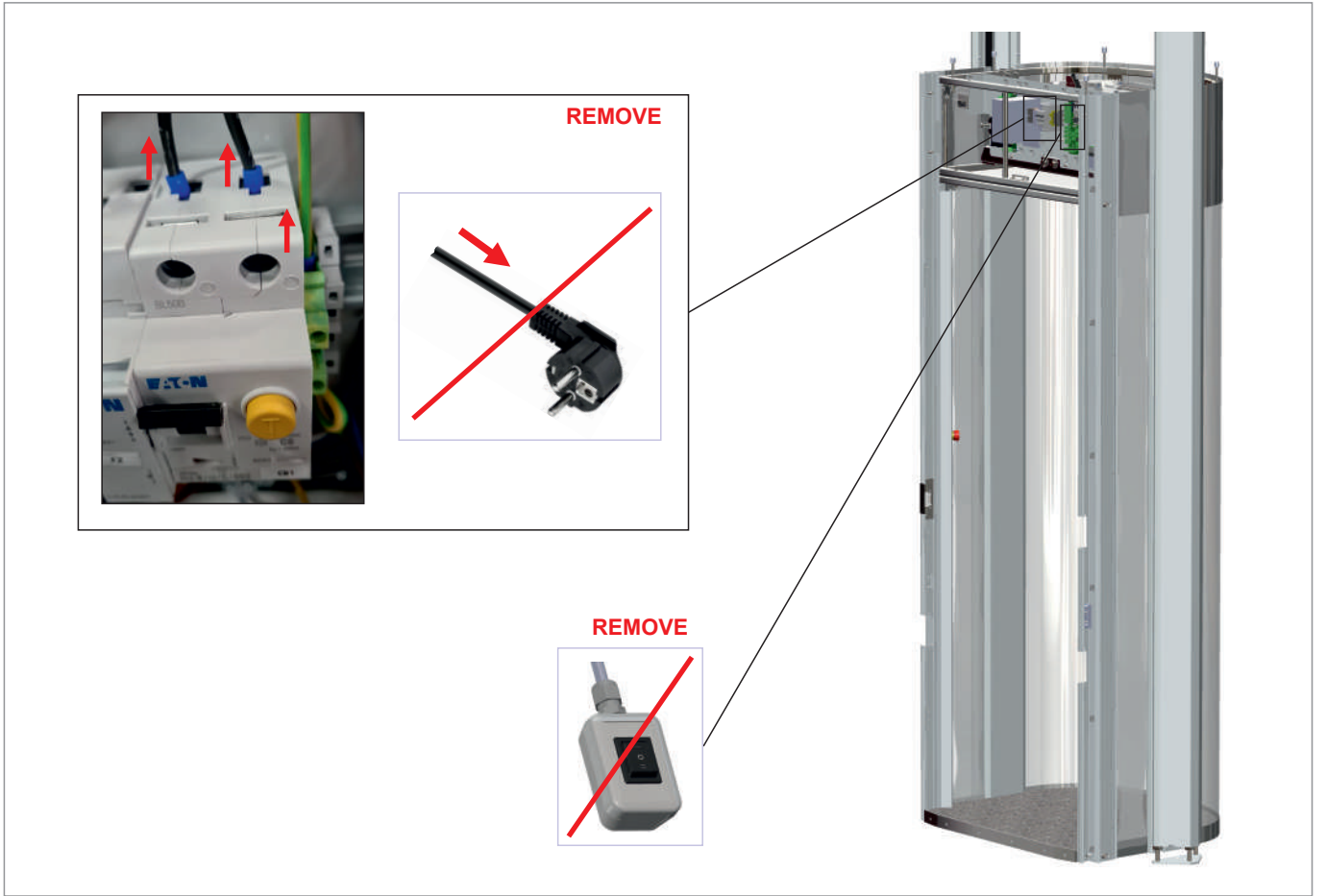


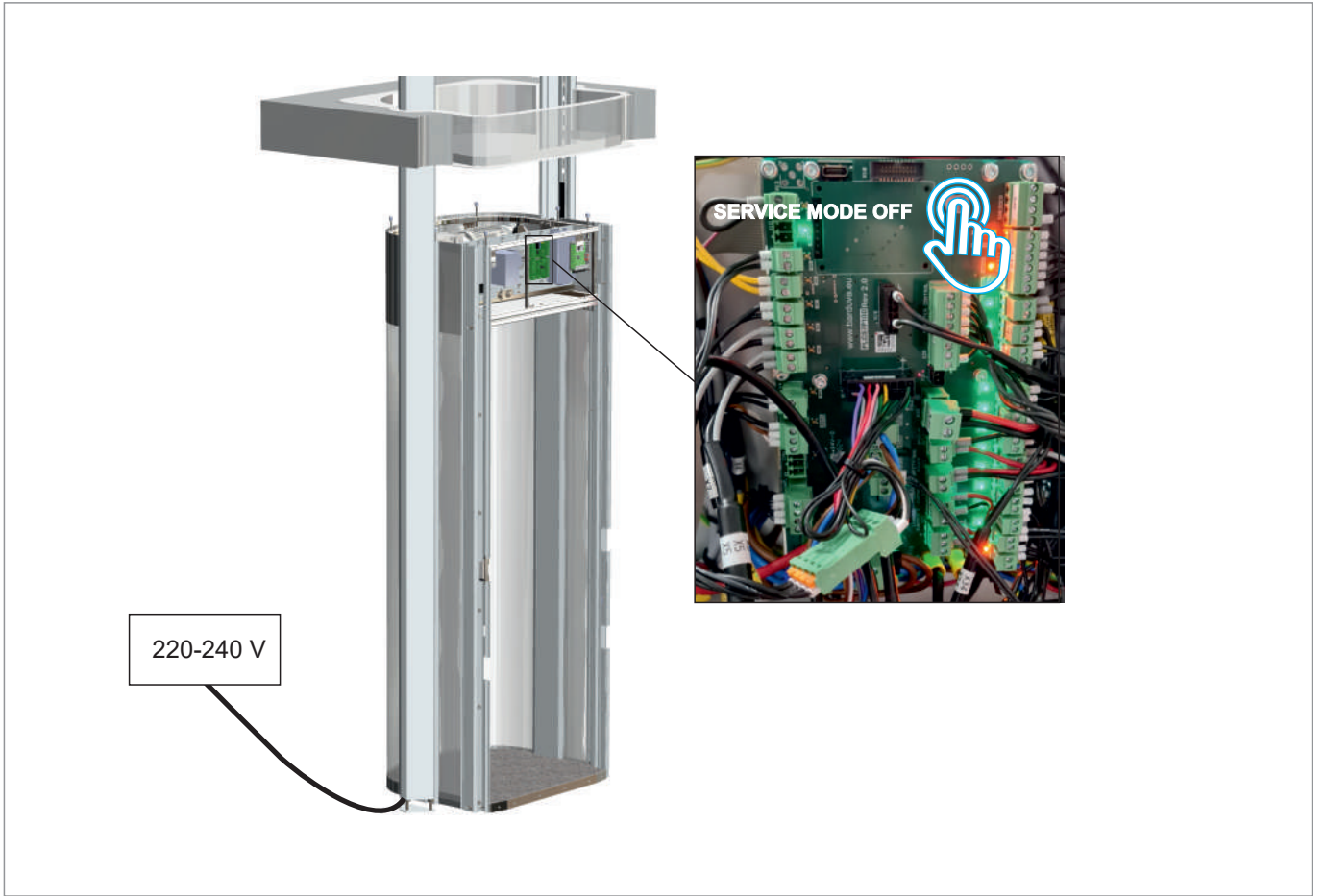


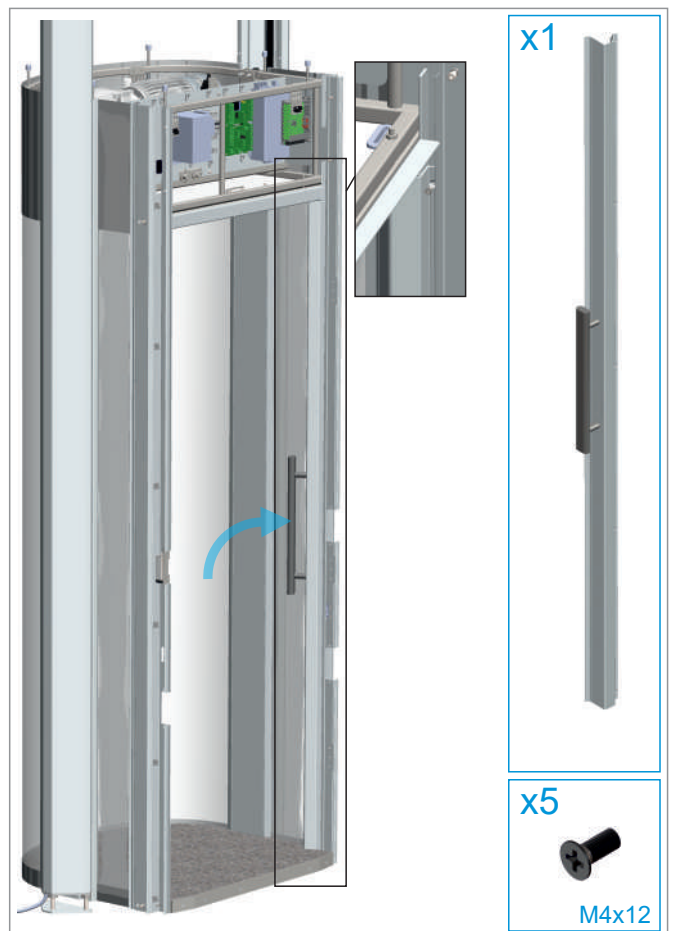
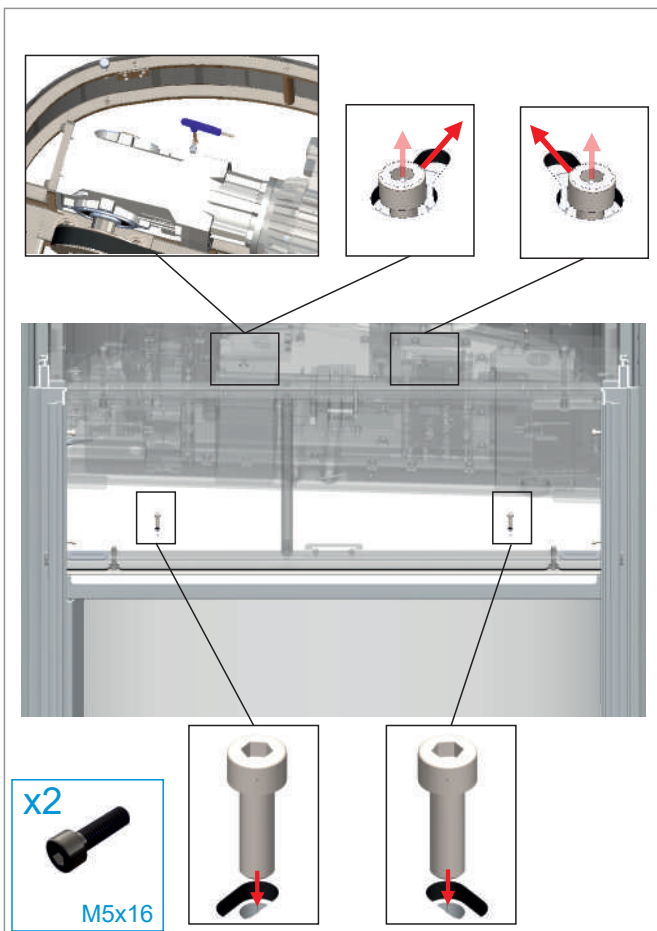
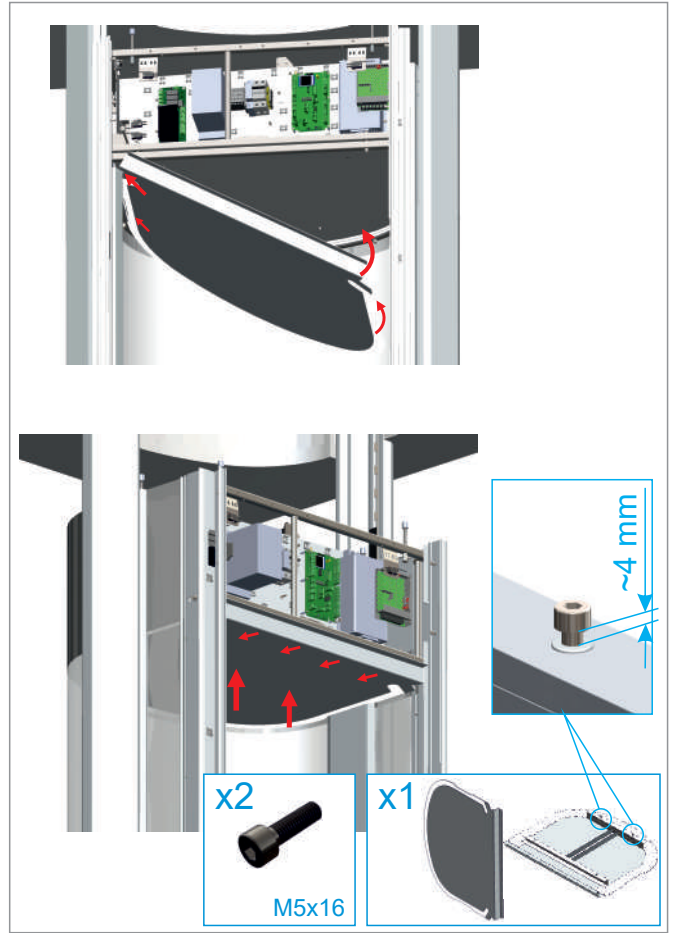
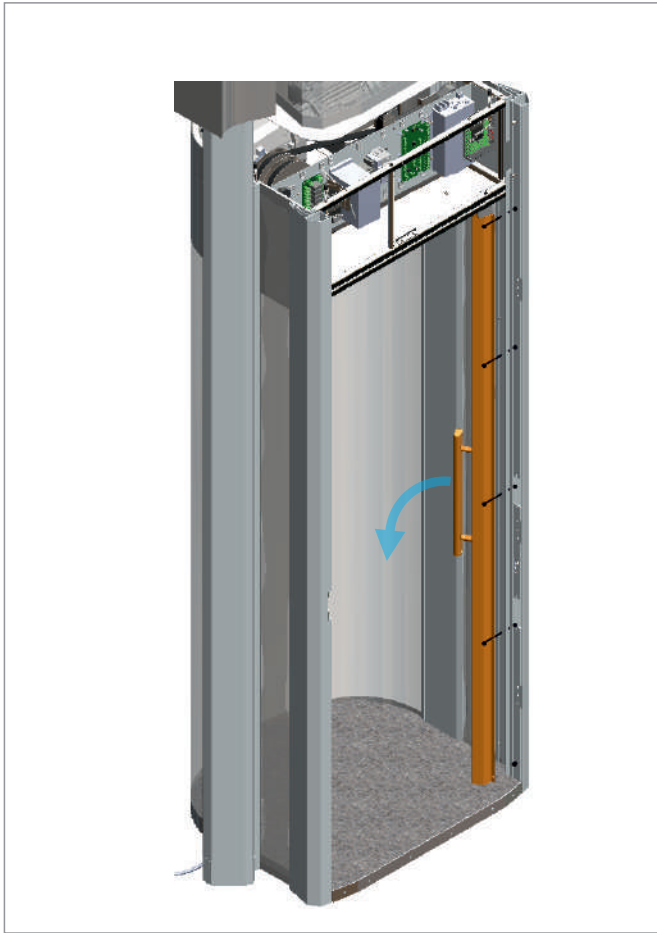


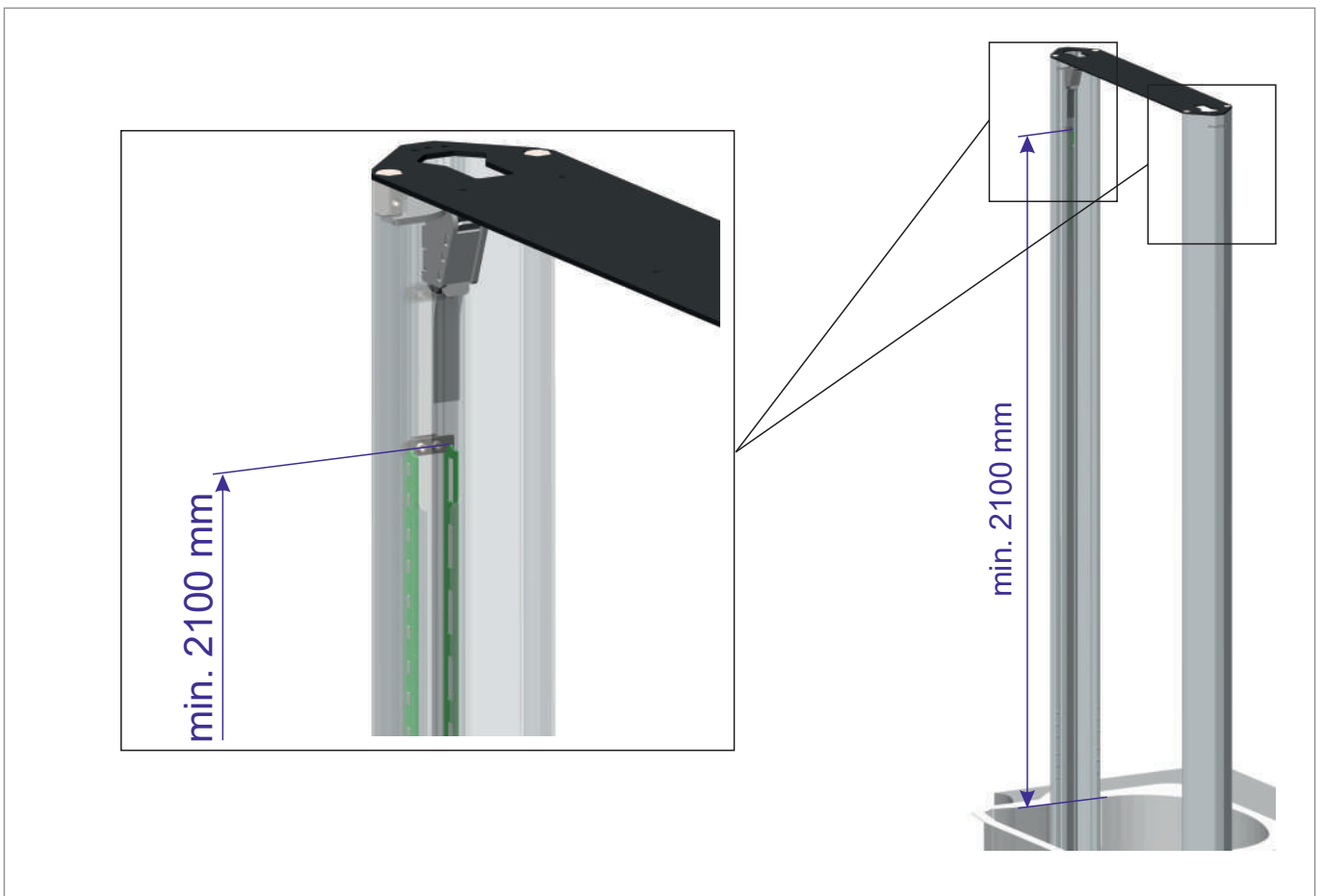
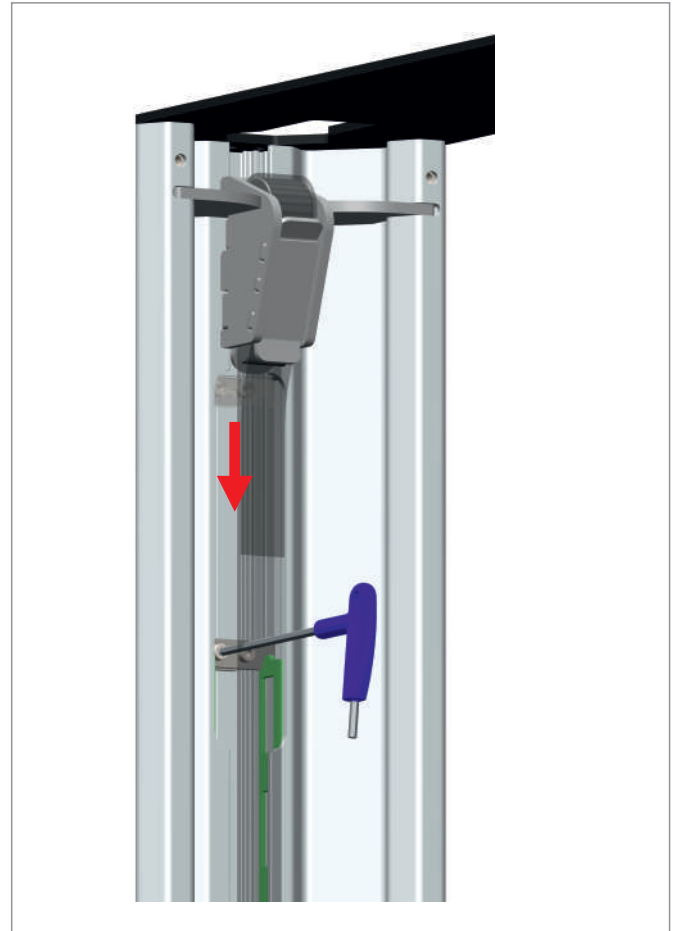
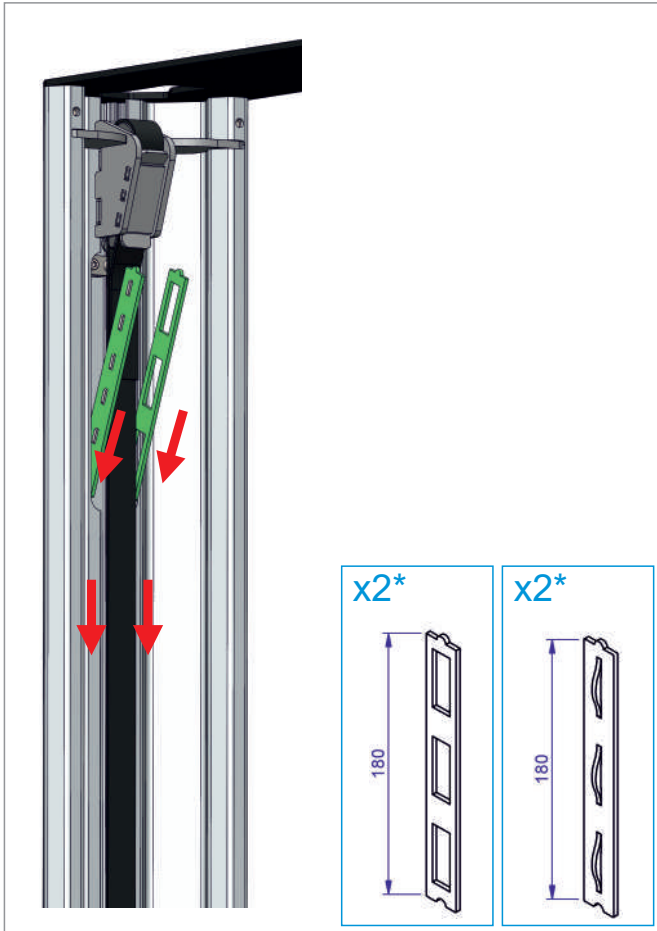


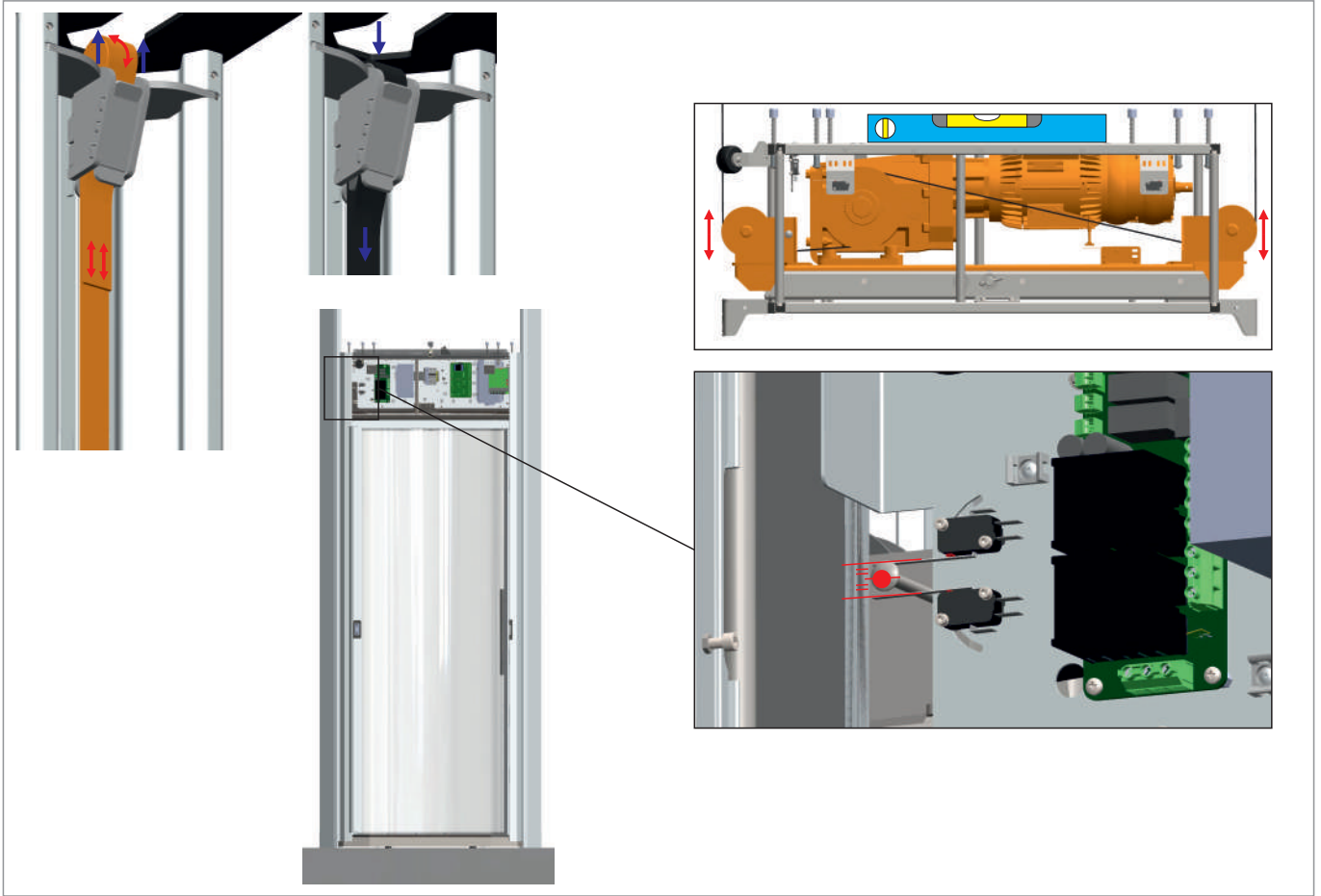


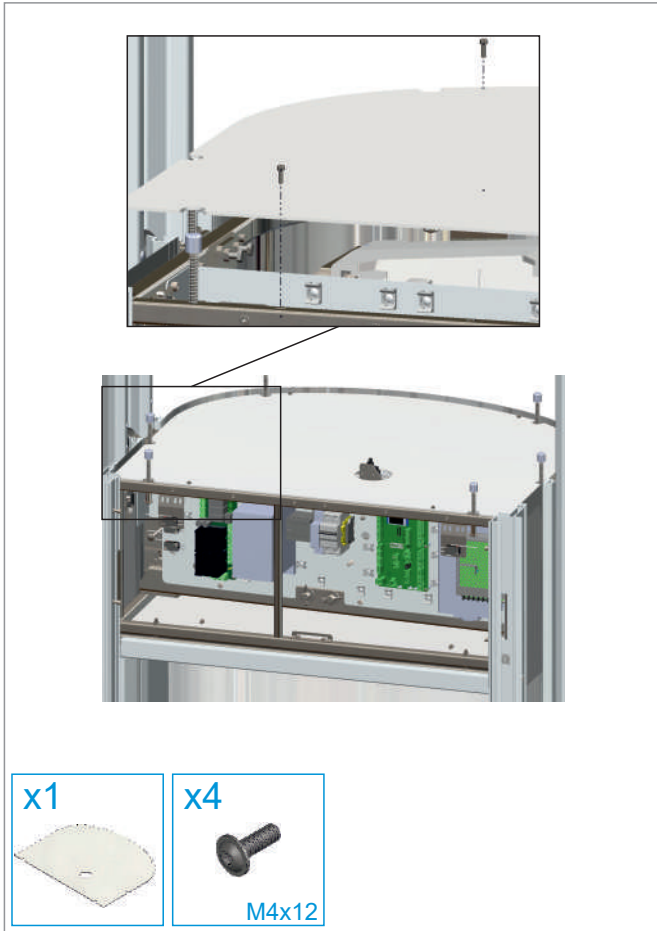




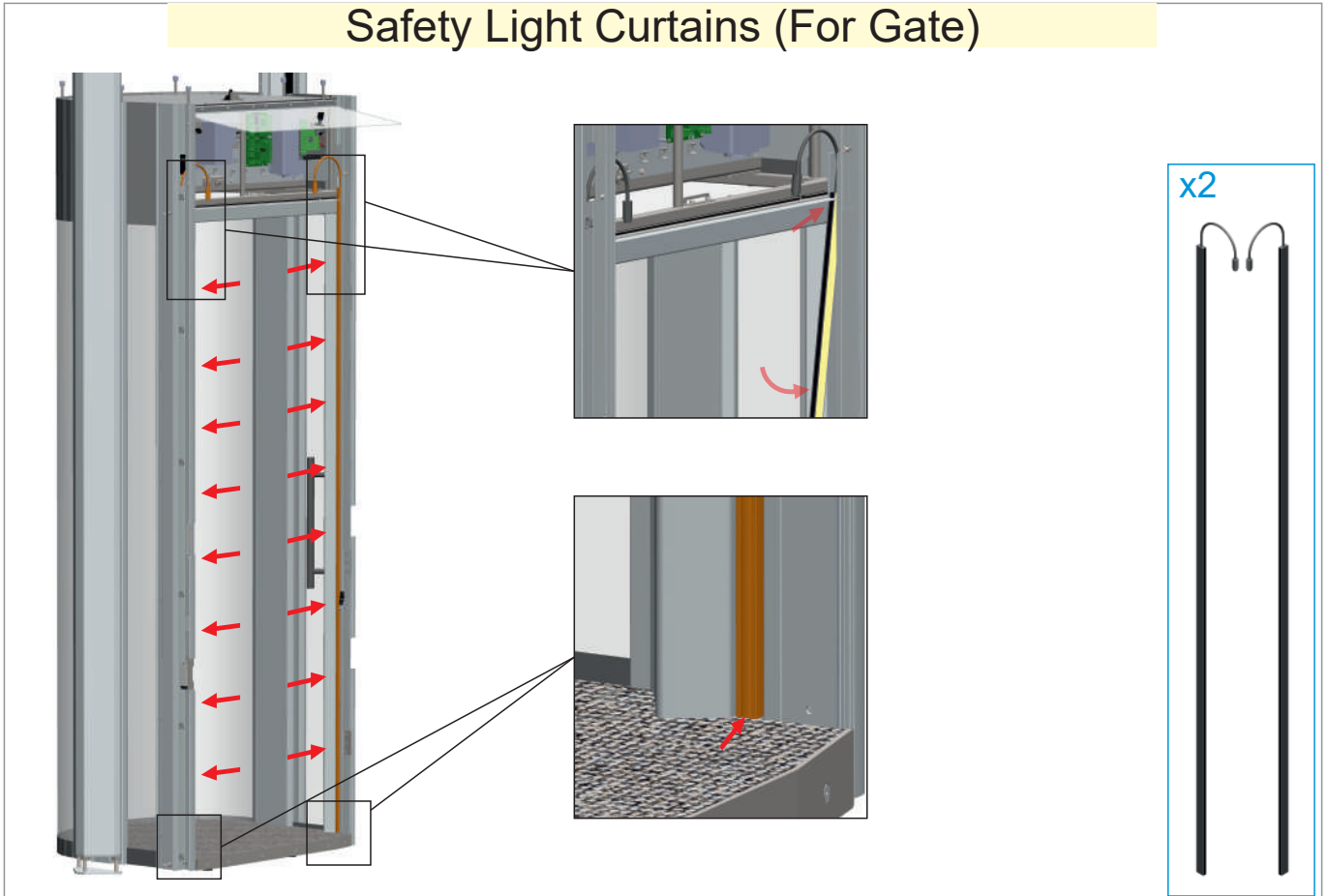




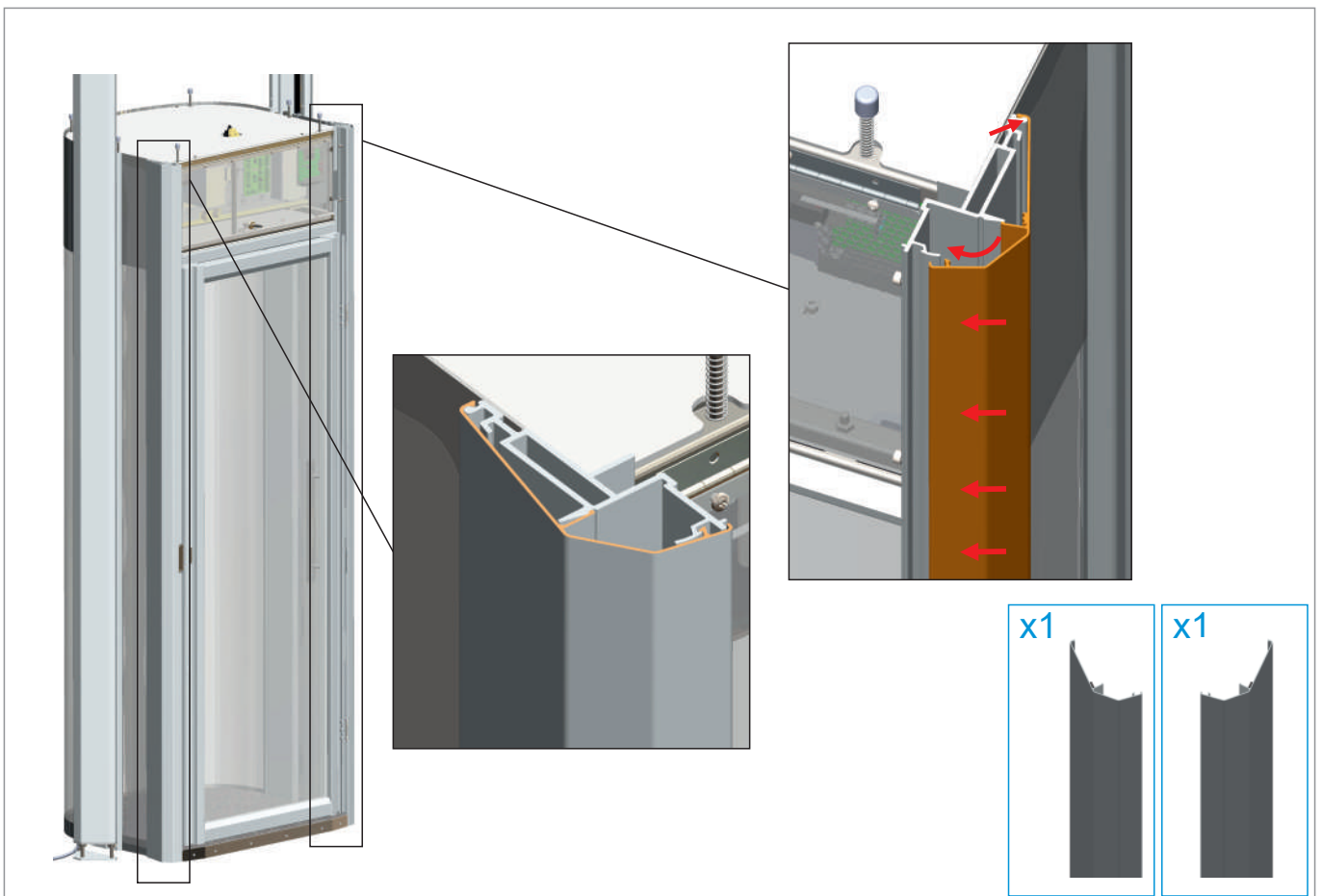
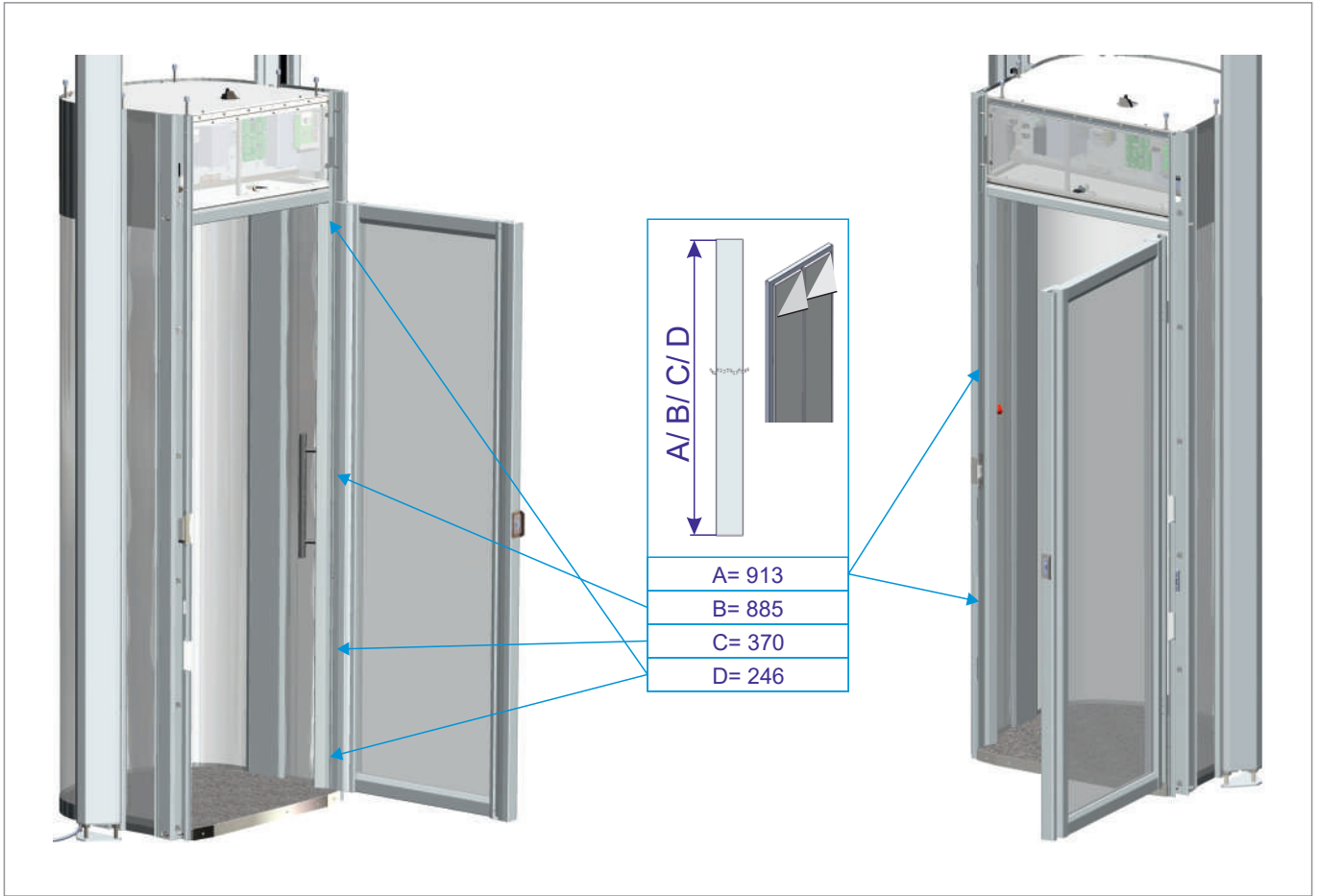




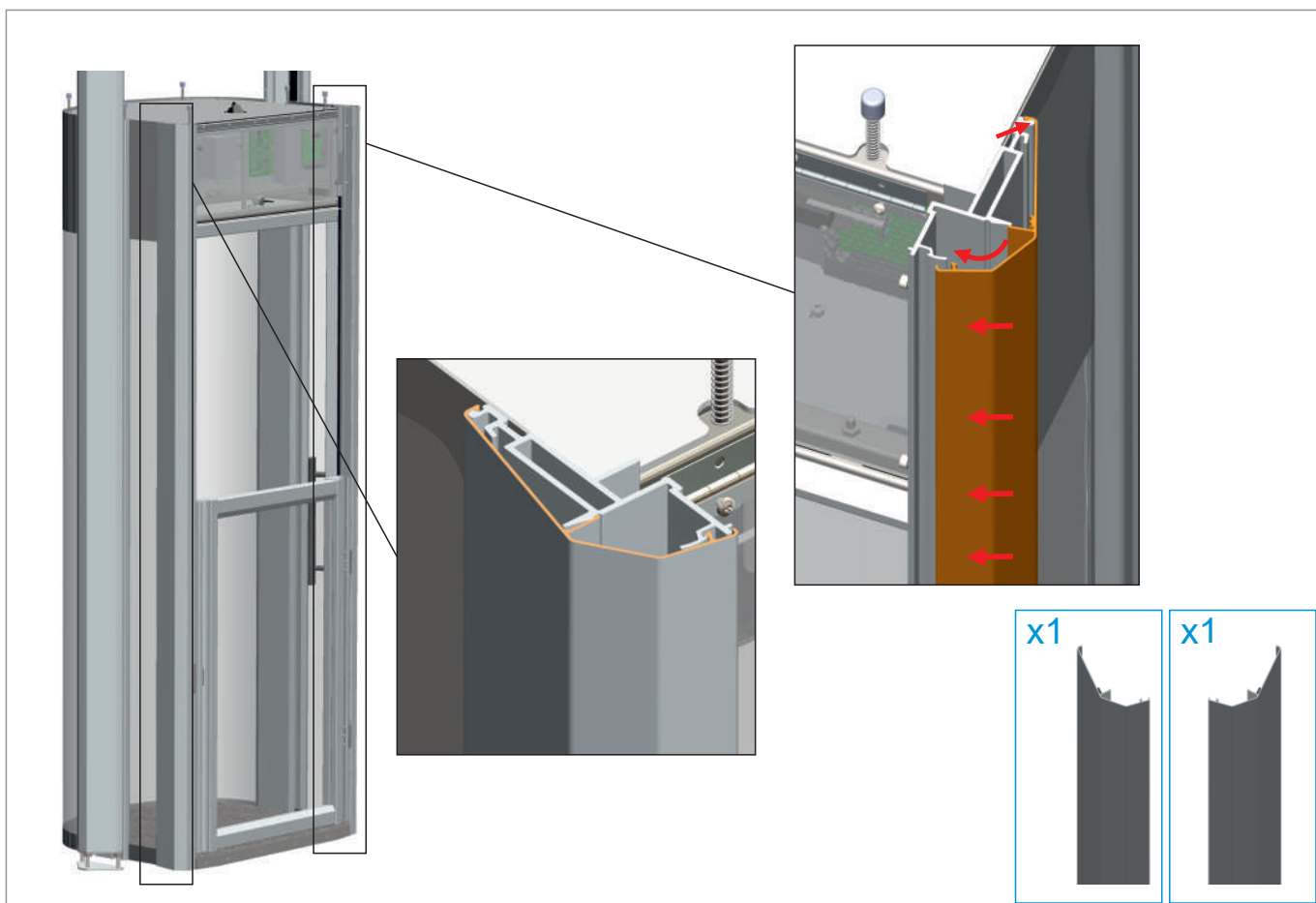
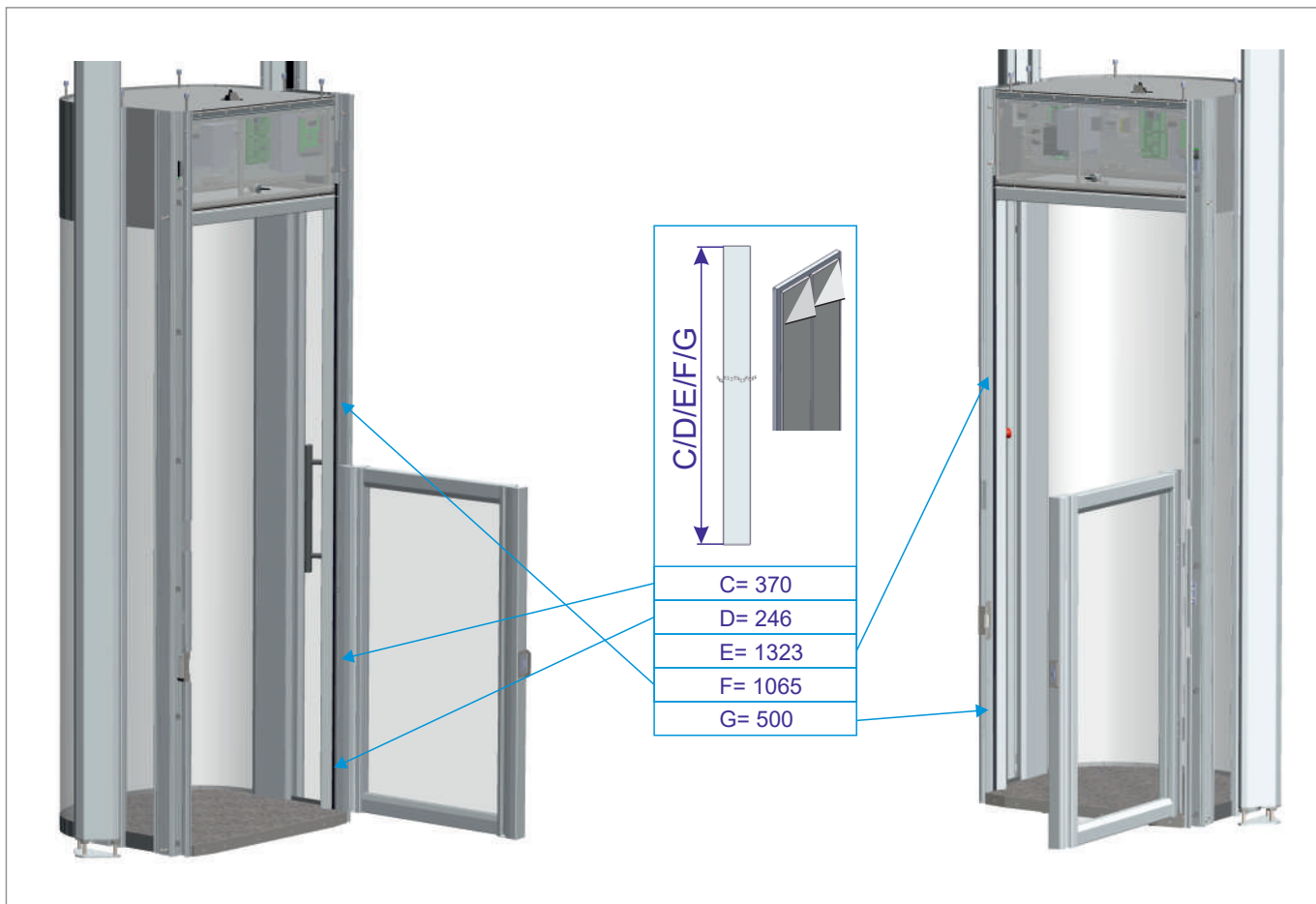
Safety Light Curtains (For Gate)

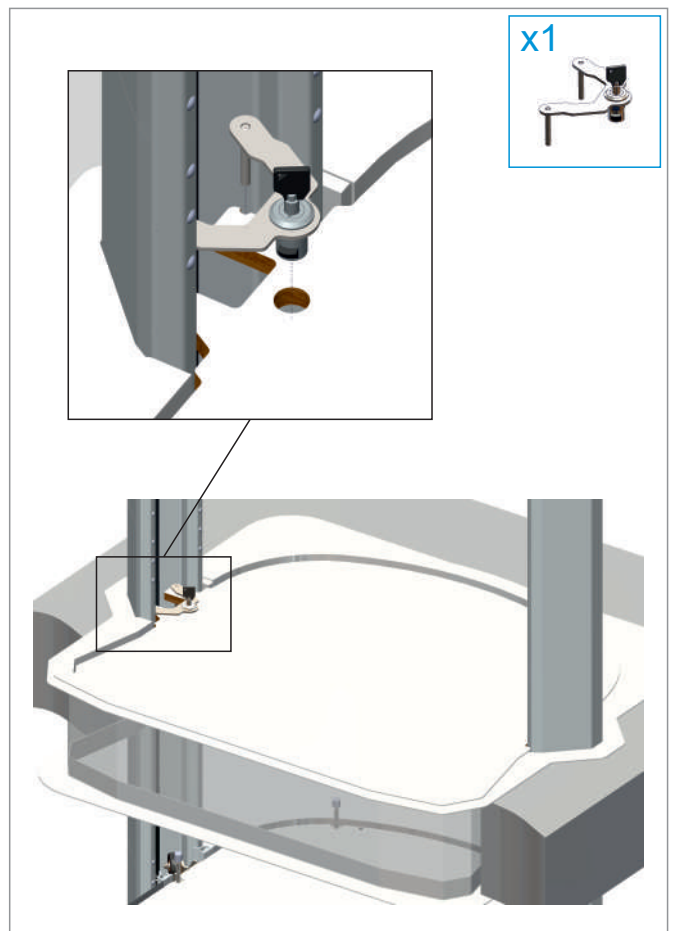
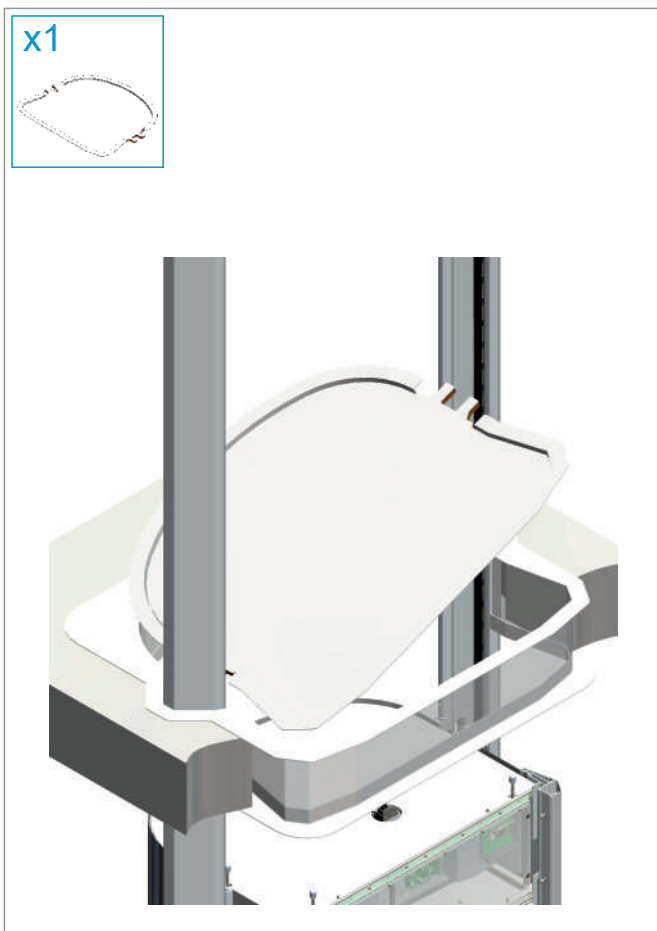
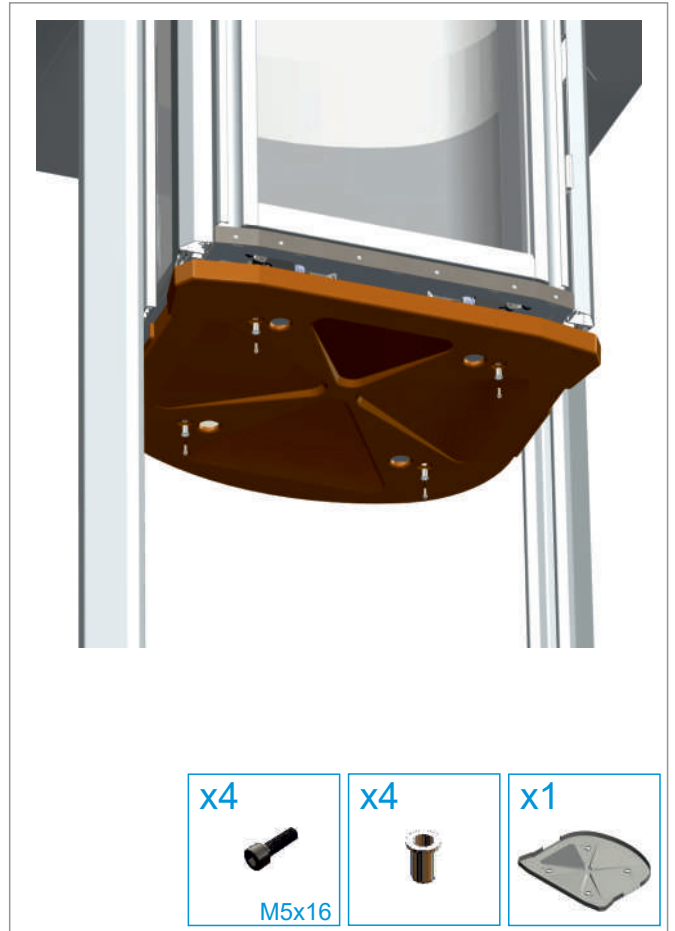
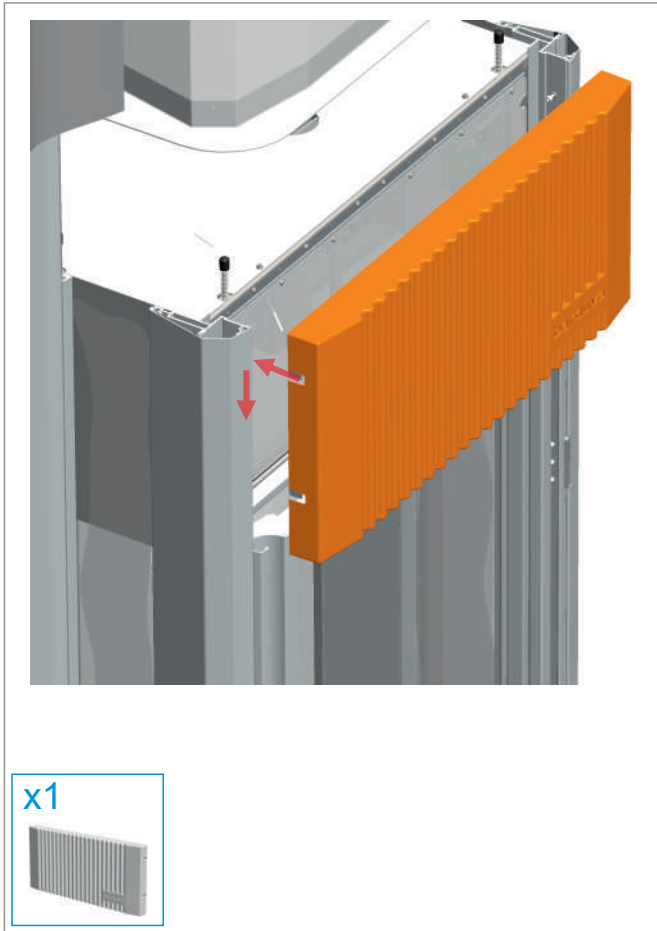


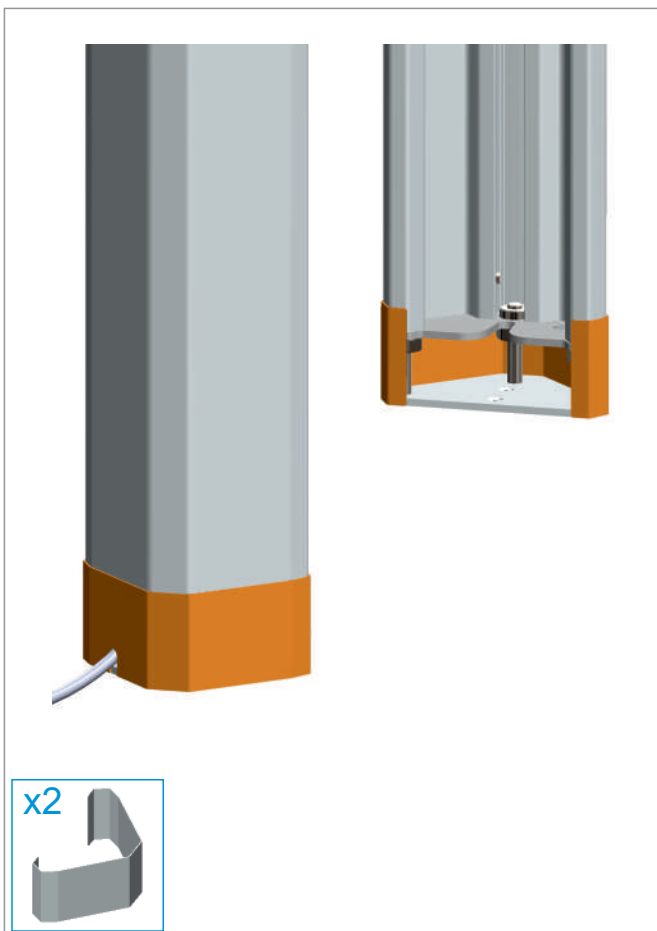
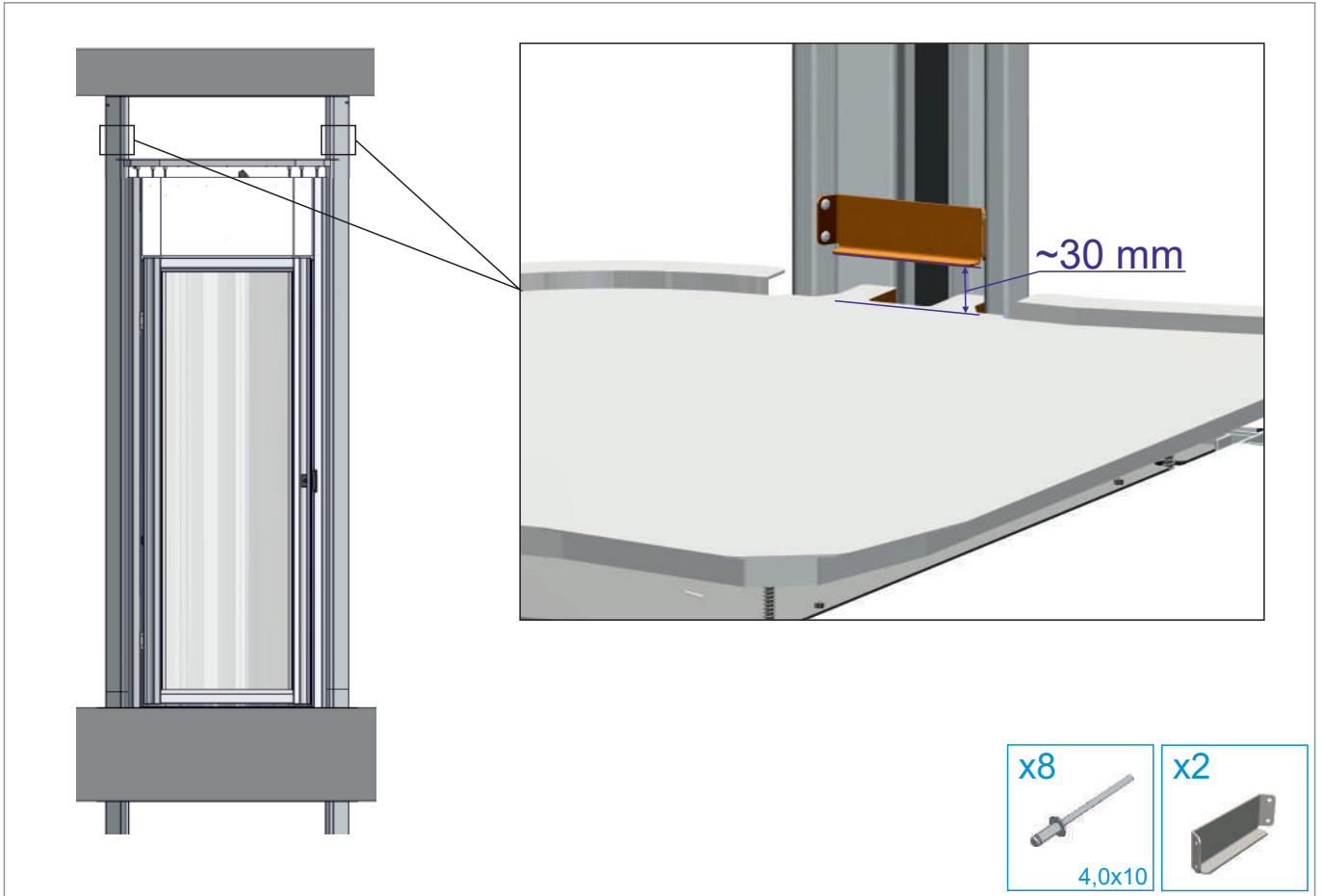
DOOR



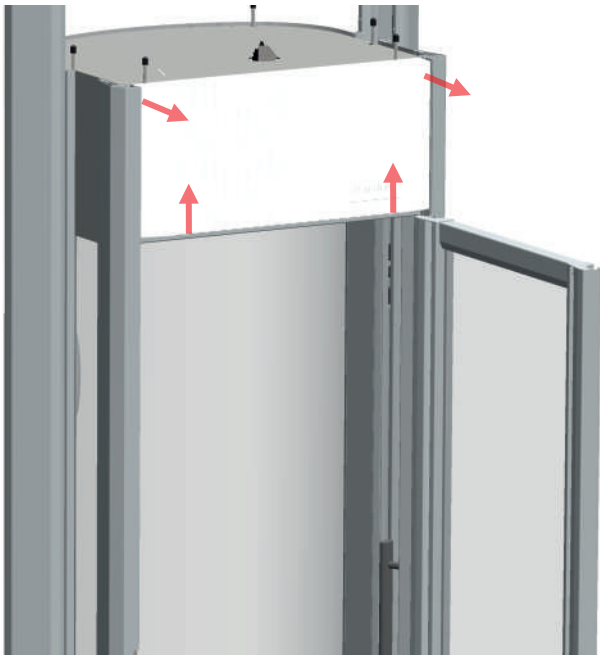
GATE



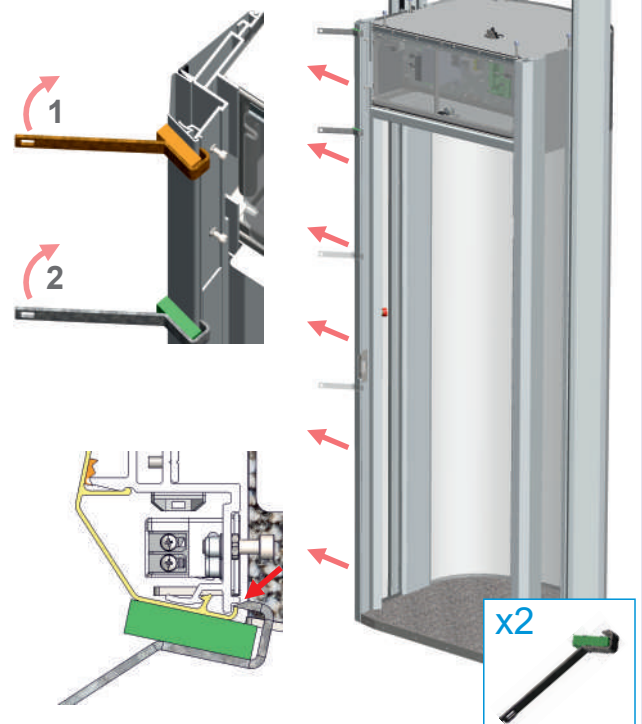




REMOVAL



REMOVAL



OPTIONAL



OPTIONAL





Barduva  
Beržuonos str. 2  
Vilnius LT-02121  
Lithuania  
Tel.: +370 5 231 0770  
[info@barduva.eu](mailto:info@barduva.eu)  
[www.barduva.eu](http://www.barduva.eu)